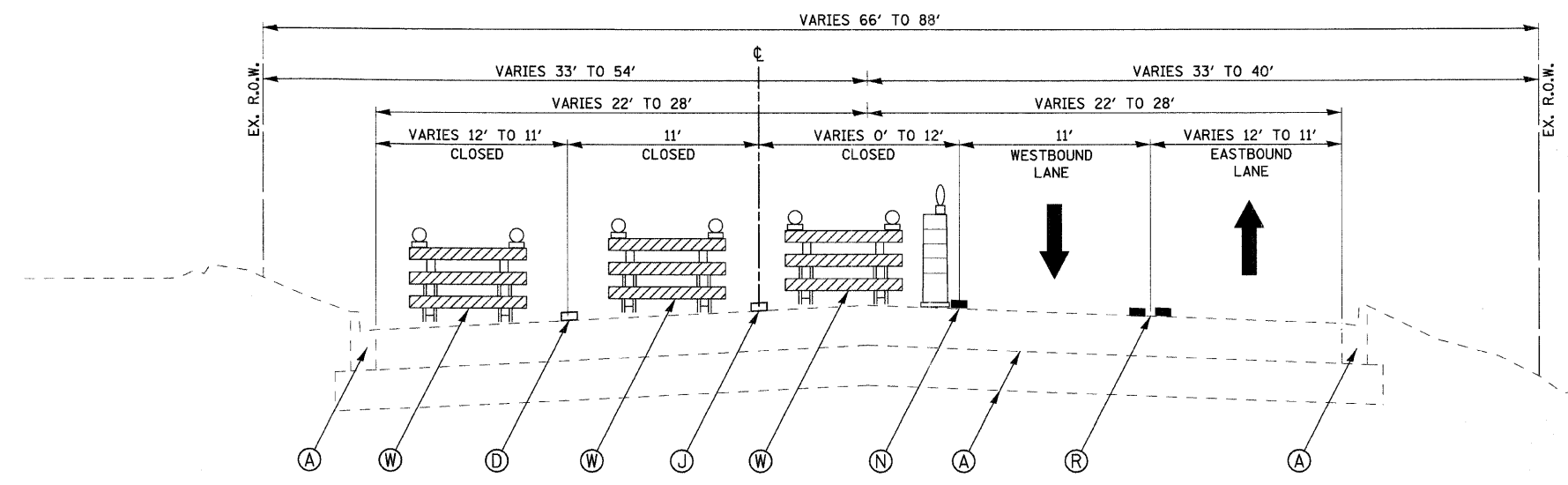


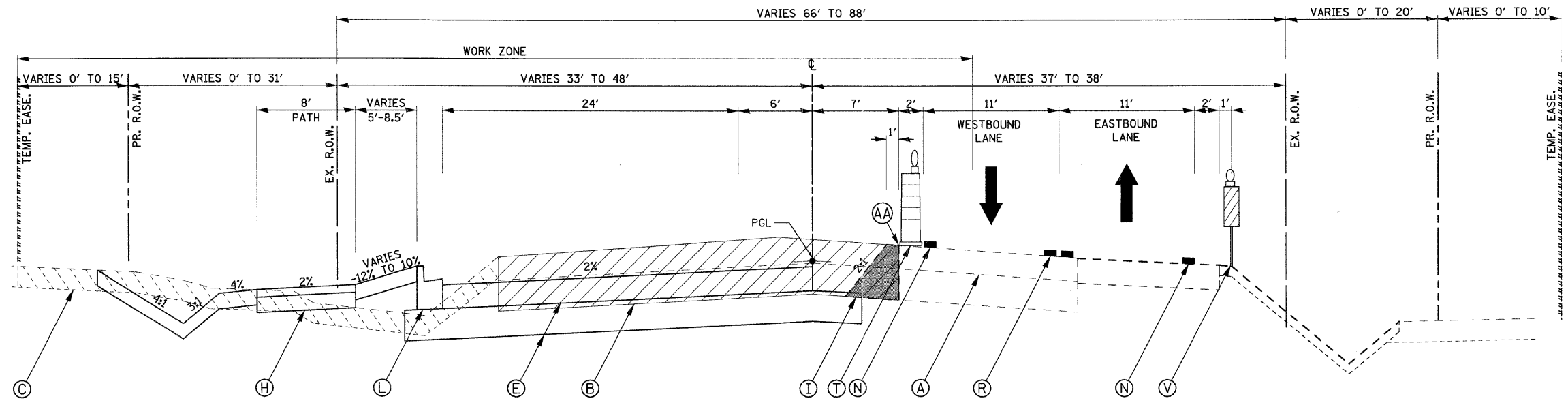
F.A.U. RTE.	SECTION	COUNTY	TOTAL SHEETS	SHEET NO.
1503	08-00260-01-PV	KANE	176	45
STA. N/A		TO STA. N/A		
FED. ROAD DIST. NO.		ILLINOIS	FED. AID PROJECT	



PROPOSED INDIAN TRAIL - STAGE 1B
STA. 37+35.75 TO STA. 38+41.56

STAGE 1 LANE REDUCTION
 TO REMAIN

- LEGEND**
- (A) EXIST. PAVEMENT STRUCTURE - TO REMAIN
 - (B) EXIST. PAVEMENT STRUCTURE - TO BE REMOVED
 - (C) EXIST. EARTH/TOPSOIL - TO BE REMOVED
 - (D) EXIST. PAVEMENT MARKINGS - TO REMAIN
 - (E) PROP. PAVEMENT STRUCTURE
 - (F) PROP. TEMPORARY BITUMINOUS PAVEMENT - 6"
 - (G) PROP. TEMPORARY AGGREGATE BASE COURSE - 4"
 - (H) PROP. BITUMINOUS BIKE PATH
 - (I) PROP. TEMPORARY AGGREGATE SHOULDER (VAR. DEPTH) (TO BE PAID AS AGGREGATE SHOULDER SPECIAL)
 - (J) PROP. BITUMINOUS SURFACE COURSE
 - (K) PROP. SURFACE MILLING - (THICKNESS SAME AS SURFACE CRSE.)
 - (L) PROP. COMB. CONCRETE CURB AND GUTTER/MEDIAN
 - (M) PROP. STRUCTURAL EMBANKMENT
 - (N) TEMPORARY PAVEMENT MARKING LINE - 4" SOLID WHITE
 - (O) TEMPORARY PAVEMENT MARKING LINE - 4" SKIP DASH WHITE
 - (P) TEMPORARY PAVEMENT MARKING LINE - 6" SOLID WHITE
 - (Q) TEMPORARY PAVEMENT MARKING LINE - 4" SOLID YELLOW
 - (R) TEMPORARY PAVEMENT MARKING LINE - 2-4" DOUBLE YELLOW
 - (S) TEMPORARY SHORT-TERM PAVEMENT MARKING LINE - 4" (COLOR AS REQ.)
 - (T) DRUMS WITH STEADY BURN LIGHTS ON 50' CENTERS
 - (U) DIRECTIONAL TYPE 1 BARRICADES
 - (V) VERTICAL PANELS - POST MOUNTED
 - (W) TYPE III BARRICADES
 - (X) DIRECTIONAL ARROW BOARD
 - (Y) FLEXIBLE DELINEATOR
 - (Z) TEMPORARY CONCRETE BARRIER WALL WITH GLARE SCREEN
 - (AA) FULL DEPTH SAWCUT



INDIAN TRAIL STAGE 1B
STA. 39+48.92 TO STA. 46+00.00

REVISIONS		ILLINOIS DEPARTMENT OF TRANSPORTATION
NAME	DATE	
		MAINTENANCE OF TRAFFIC - TYPICAL SECTION INDIAN TRAIL ROAD SHEET 5 OF 22

RHA&A
 Robert H. Anderson & Associates, Inc.
 Consulting Engineers & Land Surveyors
 License No. 184-005281
 Phone No. 630-584-3530

SCALE: VERT. 1/7/09
 HORIZ. N/A
 DRAWN BY TC
 CHECKED BY TC/SBP

PLOT DATE = 1/5/2009
 FILE NAME = H:\Auto\1120085\ITPH\1120085\ITPH\1120085\Typ_04.dgn
 PLOT SCALE = 1/8"=1'-0"
 USER NAME = JGBEL