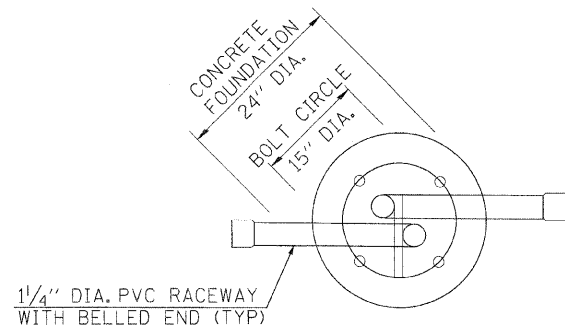
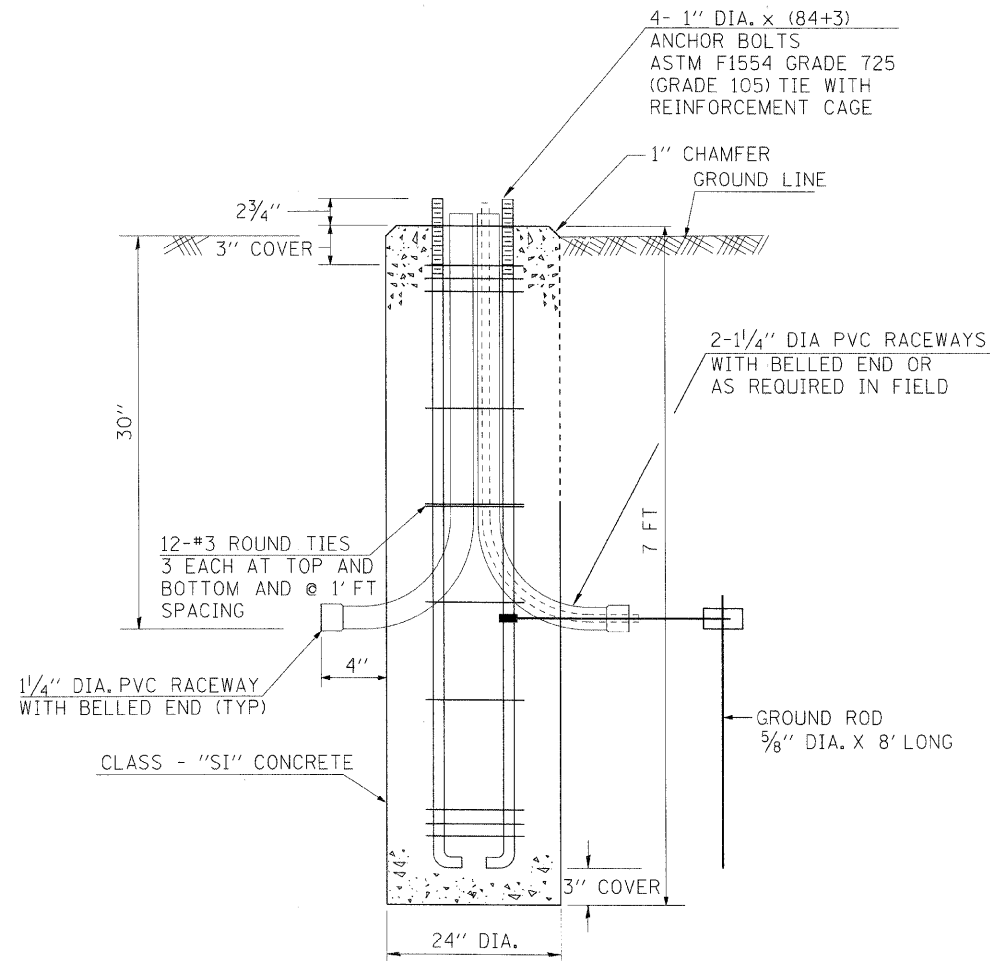


F.A. RTE.	SECTION	COUNTY	TOTAL SHEETS	SHEET NO.
1503	08-00260-01-PV	KANE	176	102



TOP VIEW



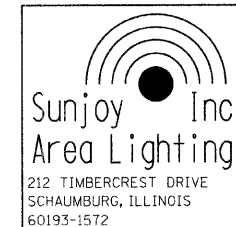
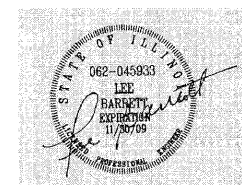
FOUNDATION DETAIL

FOUNDATION DESIGN TABLE

TYPE OF SOIL	DESIGN DEPTH OF FOUNDATION		REINFORCEMENT IN FOUNDATION			
	SINGLE ARM D	TWIN ARM D	SINGLE ARM		TWIN ARM	
			VERT BARS	SPIRAL	VERT BARS	SPIRAL
SOFT CLAY	3.962 m (13'-0")	4.572 m (15'-0")	8-#6x3.810 m (12'-0")	#3x37.186 m (122')	8-#6x4.343 m (14'-3")	#3x42.977 m (141')
MEDIUM CLAY	2.896 m (9'-6")	3.277 m (10'-9")	8-#6x2.743 m (9'-0")	#3x27.432 m (90')	8-#6x3.048 m (10'-0")	#3x30.480 m (100')
STIFF CLAY	2.134 m (7'-0")	2.438 m (8'-0")	8-#6x1.981 m (6'-6")	#3x20.112 m (66')	8-#6x2.286 m (17'-6")	#3x23.165 m (76')
LOOSE SAND	2.743 m (9'-0")	3.048 m (10'-0")	8-#6x2.591 m (8'-6")	#3x25.908 m (85')	8-#6x2.896 m (9'-6")	#3x28.651 m (94')
MEDIUM SAND	2.515 m (8'-3")	2.743 m (9'-0")	8-#6x2.438 m (8'-0")	#3x23.774 m (78')	8-#6x2.591 m (8'-6")	#3x25.908 m (85')
DENSE SAND	2.362 m (7'-9")	2.743 m (9'-0")	8-#6x2.286 m (7'-6")	#3x22.250 m (73')	8-#6x2.591 m (8'-6")	#3x25.908 m (85')
ROCK OR SOLIDIFIED SLAG	1.524 m (5'-0")	1.524 m (5'-0")	NONE	NONE	NONE	NONE

NOTES: FOUNDATION

1. THE ENGINEER SHALL DETERMINE THE CLASS OF SOIL DURING EXCAVATION AND SELECT THE DESIGN DEPTH OF FOUNDATION FROM THE DESIGN TABLE.
2. THE DESIGN DEPTH "D" OF FOUNDATION SHALL BE ACCORDING TO FIELD CONDITIONS.
3. EXCAVATION OF THE POLE FOUNDATION SHALL BE MADE WITH AN AUGER 24" IN DIAMETER.
4. THE CONTRACTOR SHALL USE #3 SPIRAL AT 6" PITCH OR AT HIS OPTION MAY SUBSTITUTE #3 TIES AT 12" O.C.
5. THE ANCHOR BOLTS TIED WITH RACEWAYS AND TIES SHALL BE PROPERLY SECURED IN PLACE BEFORE THE CONCRETE IS PLACED IN THE FORM.
6. CONCRETE SHALL BE CLASS "SI". CONCRETE FOUNDATION MUST BE CURED FOR (10) TEN DAYS BEFORE THE LIGHT STANDARD IS ERECTED.
7. THE CABLE TRENCH SHALL BE BACKFILLED AND FIRMLY COMPACTED BEFORE THE LIGHT POLE IS ERECTED.
8. RACEWAYS SHALL PROJECT 1" ABOVE THE TOP OF THE FOUNDATION.
9. THE CONTRACTOR SHALL COORDINATE EXTENSION OF ANCHOR BOLTS ABOVE THE TOP OF THE FOUNDATION WITH THE BREAKAWAY DEVICE MANUFACTURER'S REQUIREMENTS.



ILLINOIS DEPARTMENT OF TRANSPORTATION  
**CITY OF AURORA, KANE COUNTY**  
**INDIAN TRAIL ROAD**  
**LIGHT POLE, FOUNDATION 24" DIA.**

SCALE: NONE  
 DATE: 06-03-08

DRAWN BY: HKQ  
 CHECKED BY: JS