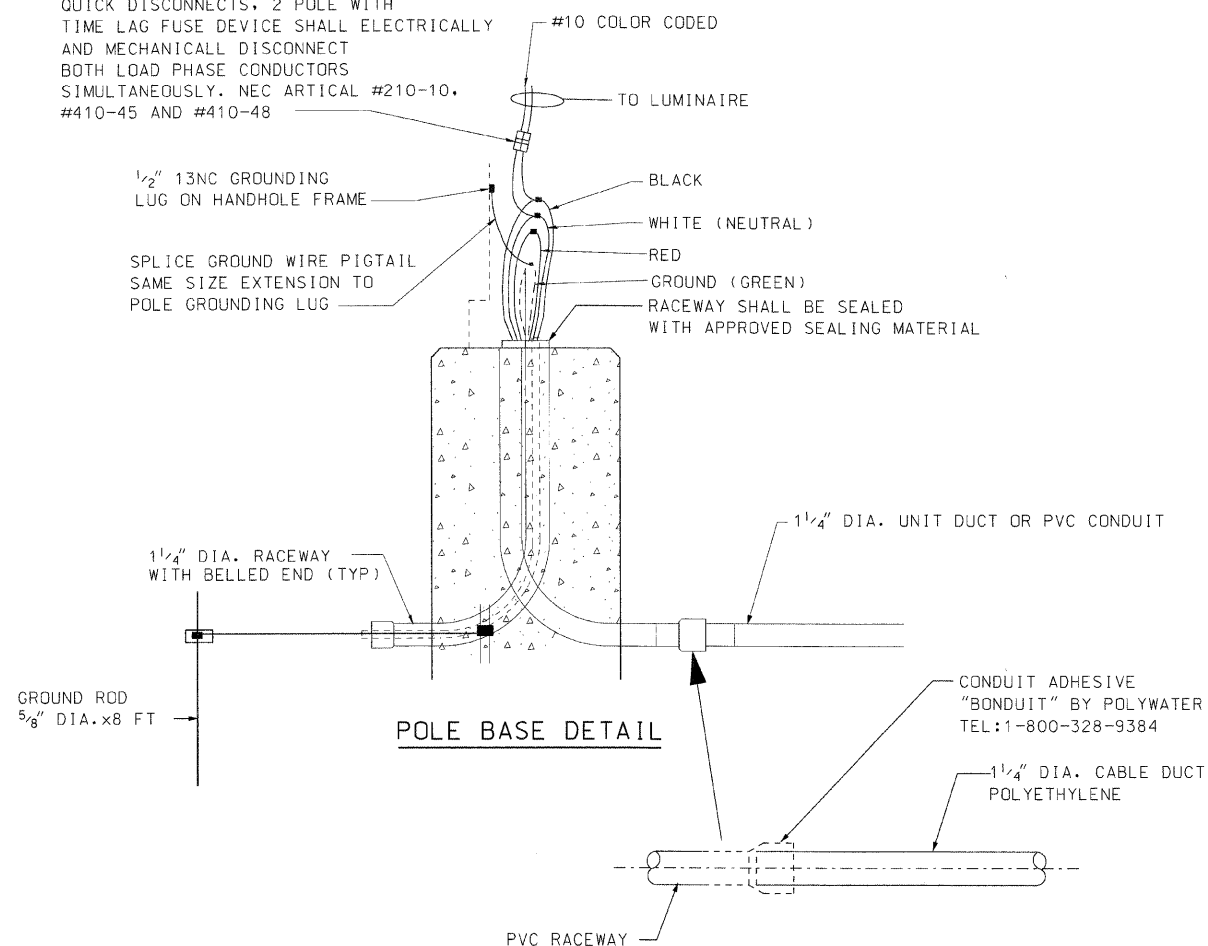


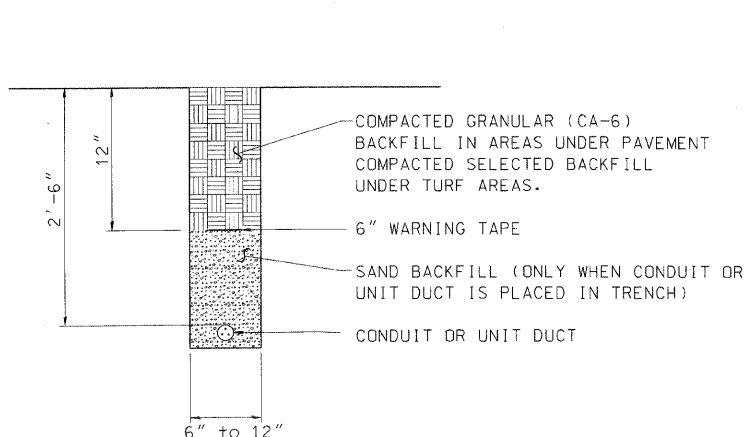
F.A. RTE.	SECTION	COUNTY	TOTAL SHEETS	SHEET NO.
1503	08-00260-01-PV	KANE	176	106

QUICK DISCONNECTS, 2 POLE WITH TIME LAG FUSE DEVICE SHALL ELECTRICALLY AND MECHANICALLY DISCONNECT BOTH LOAD PHASE CONDUCTORS SIMULTANEOUSLY. NEC ARTICAL #210-10, #410-45 AND #410-48

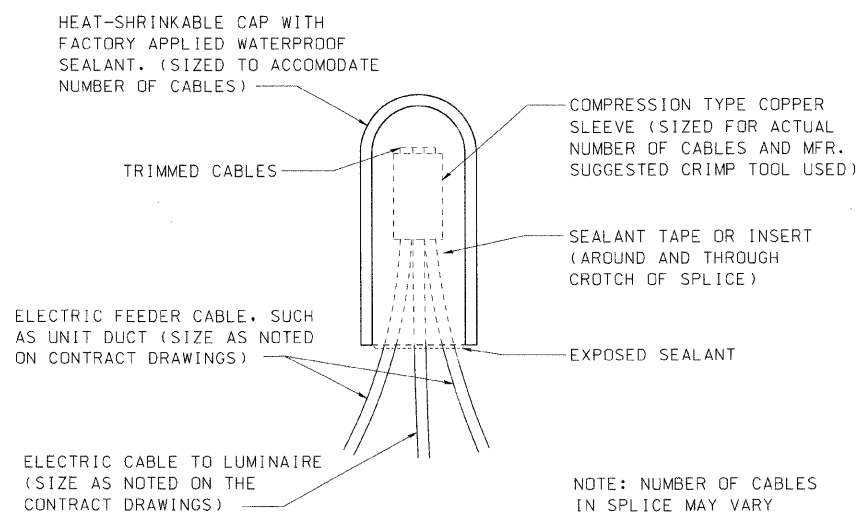


POLE BASE DETAIL

PVC RACEWAY AND POLYETHYLENE UNIT DUCT/PVC CONDUIT JOINT CONNECTION DETAILS

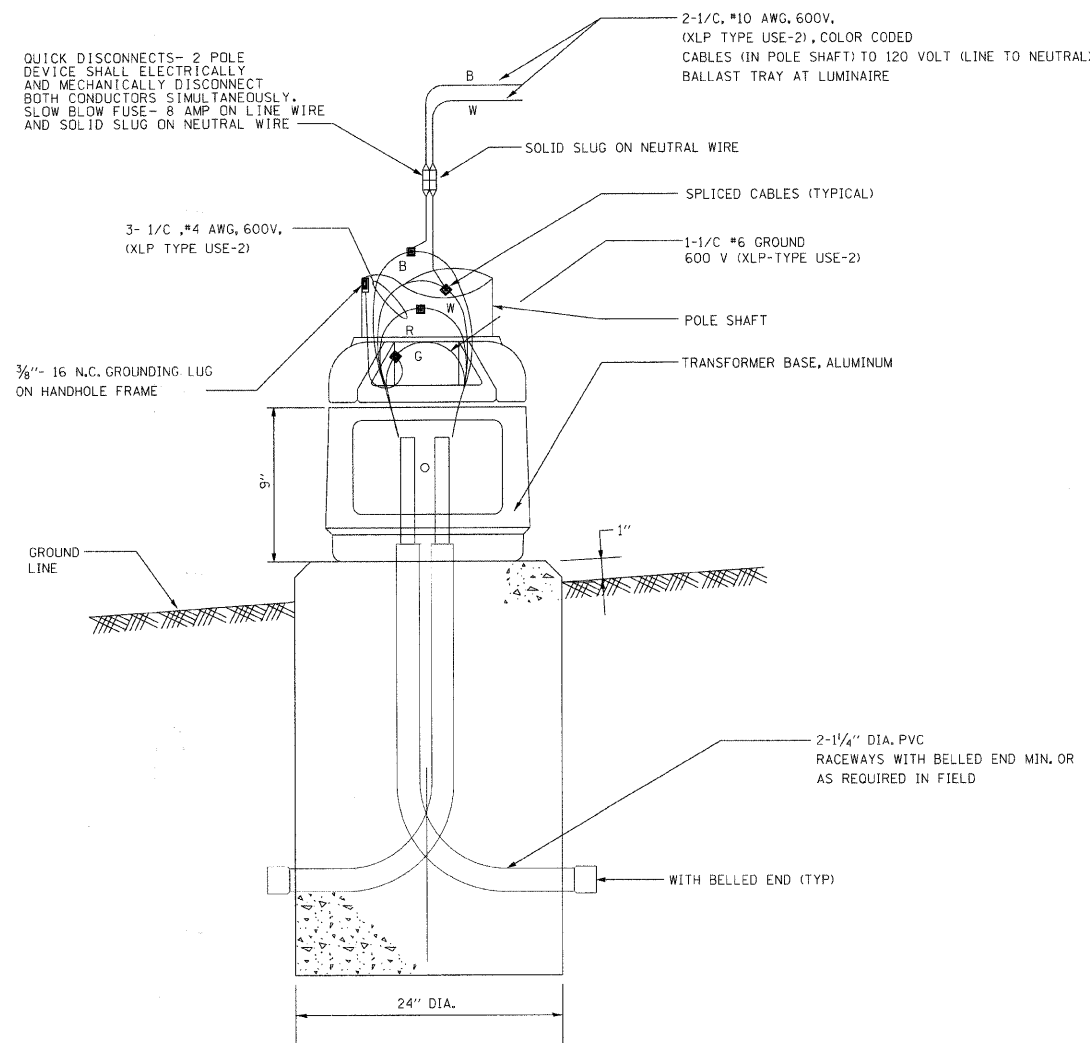


TRENCH AND BACKFILL

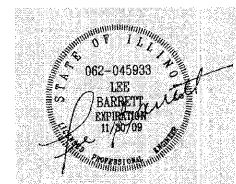


SPLICING ELECTRIC CABLE

NOTE: NUMBER OF CABLES IN SPLICE MAY VARY



POLE BASE WIRING WITH QUICK DISCONNECTS AND BREAKAWAY DEVICE TRANSFORMER BASE, U/L LISTED



**Sunjoy Inc.**  
Area Lighting  
212 TIMBERCREST DRIVE  
SCHAUMBURG, ILLINOIS  
60193-1572

ILLINOIS DEPARTMENT OF TRANSPORTATION  
**CITY OF AURORA, KANE COUNTY**  
**INDIAN TRAIL ROAD**  
**ELECTRICAL DETAILS**

SCALE: NONE  
DATE: 06-03-08

DRAWN BY: HKQ  
CHECKED BY: JS