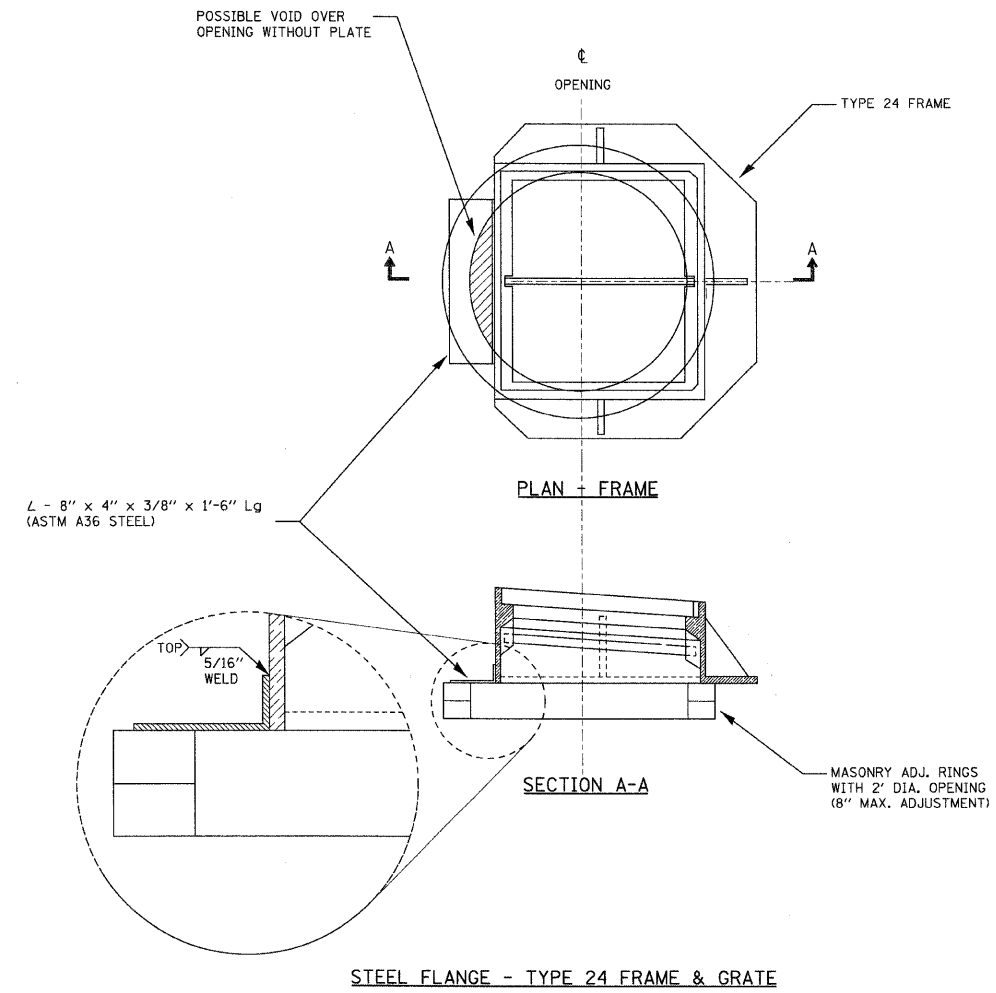
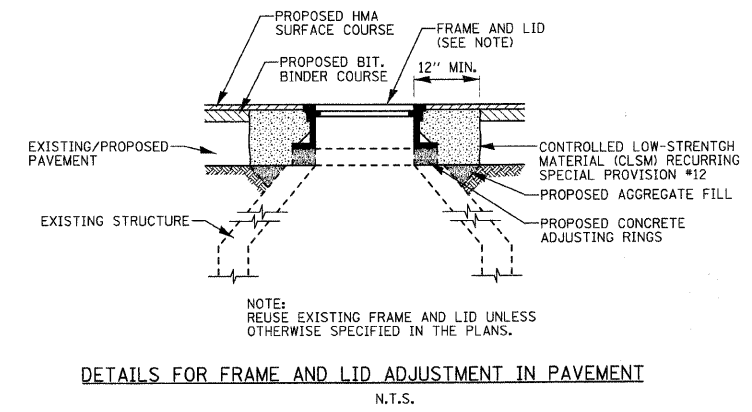


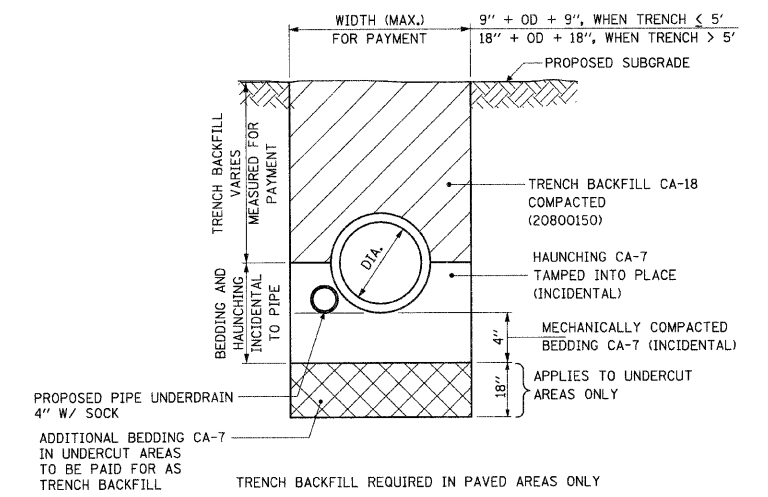
F.A.U. RFE.	SECTION	COUNTY	TOTAL SHEETS	SHEET NO.
1503	08-00260-01-PV	KANE	176	109
STA.		TO STA.		
FED. ROAD DIST. NO.	ILLINOIS	FED. AID PROJECT		



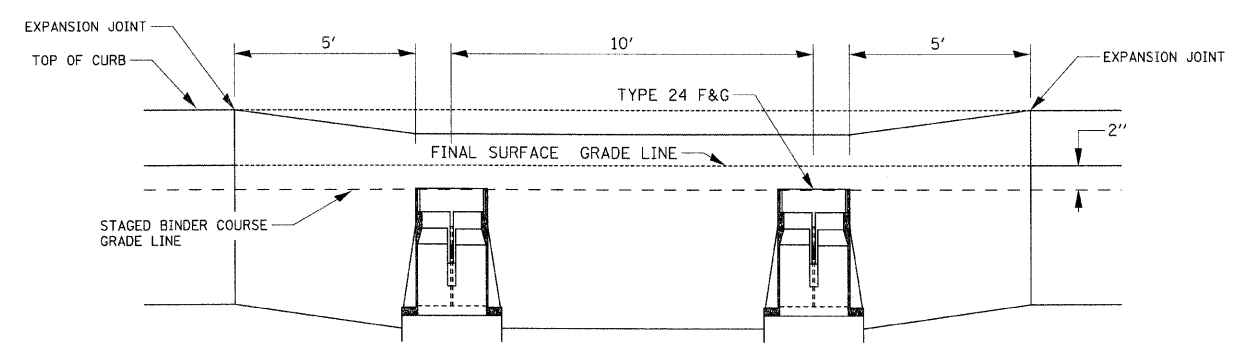
STEEL FLANGE - TYPE 24 FRAME & GRATE



DETAILS FOR FRAME AND LID ADJUSTMENT IN PAVEMENT

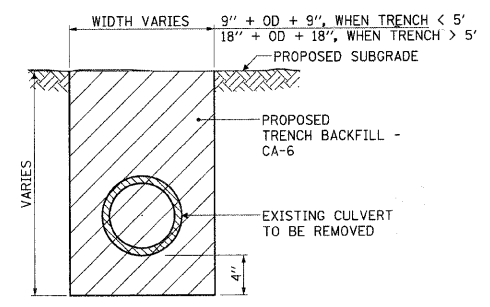


PROPOSED TRENCH - STORM SEWER WITH UNDERDRAIN DETAIL
SEE PLANS FOR UNDERDRAIN LOCATIONS

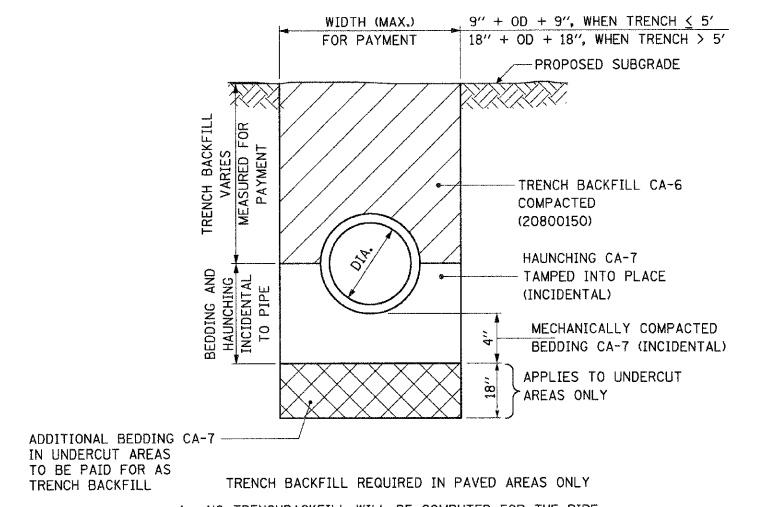


SPECIAL CURB DETAIL FOR STAGED CONSTRUCTION
(SAG LOCATION ILLUSTRATED)

STATION	OFFSET	STRUCTURE NO.
46+07	30' LT	(112)
46+17	30' LT	(113)
46+17	30' RT	(114)
46+07	30' RT	(115)
72+05	30' LT	(226)
72+05	30' RT	(228)



TRENCH BACKFILL - EXISTING CULVERT REMOVAL
TRENCH BACKFILL REQUIRED IN PAVED AREAS ONLY



PROPOSED TRENCH - STORM SEWER

REVISIONS	
NAME	DATE

ILLINOIS DEPARTMENT OF TRANSPORTATION

CONSTRUCTION DETAILS

SCALE: VERT. NONE
DATE: 1/7/09
DRAWN BY: TC/SBP
CHECKED BY: TC/SBP



PLOT DATE = 1/5/2009
 FILE NAME = H:\Aurora\120805_1TPh\1\1\1\Shs\Detaila_Misc03.dgn
 PLOT SCALE = NONE
 USER NAME = USER