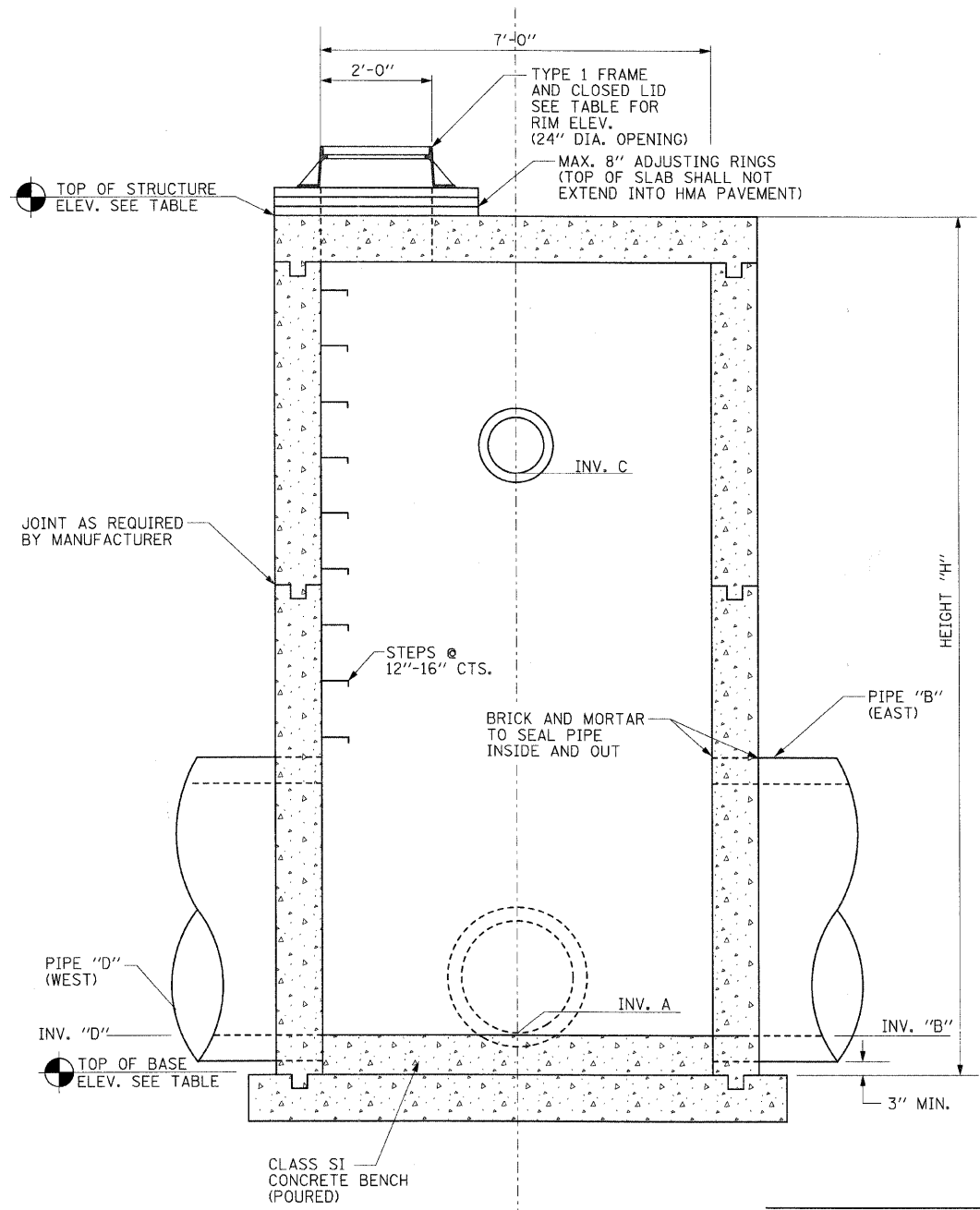
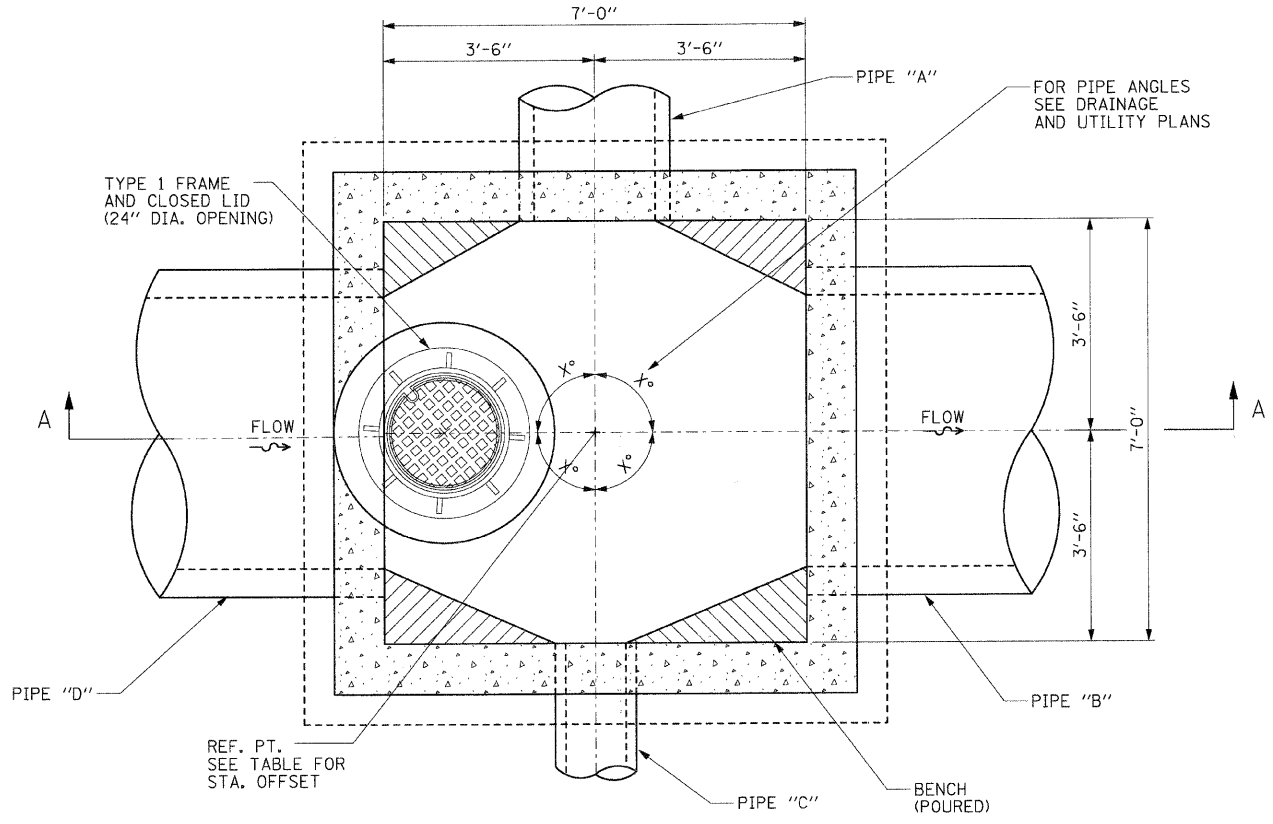


F.A.U. RTE.	SECTION	COUNTY	TOTAL SHEETS	SHEET NO.
1503	08-00260-01-PV	KANE	176	110
STA.		TO STA.		
FED. ROAD DIST. NO.		ILLINOIS FED. AID PROJECT		



SECTION A-A



PLAN VIEW

BILL OF MATERIAL

Item	Description	Unit	Quantity
60247800	JUNCTION CHAMBER	EA.	5

* Indicates pay item governed by a special provision

GENERAL NOTES

1. GROUTING OF REINFORCING BARS INTO HARDENED CONCRETE SHALL BE IN ACCORDANCE WITH SECTION 584 OF THE ILLINOIS DEPARTMENT OF TRANSPORTATION STANDARD SPECIFICATIONS FOR ROAD AND BRIDGE CONSTRUCTION, ADOPTED JANUARY 1, 2007.
2. THE STRUCTURE SHALL INCLUDE THE TYPE 1 FRAME AND LID. A CLOSED LID SHALL BE PROVIDED (IDOT STD. 604001) THE FRAME AND LID SHALL CONFORM TO SECTION 604 OF THE ILLINOIS DEPARTMENT OF TRANSPORTATION STANDARD SPECIFICATION FOR ROAD AND BRIDGE CONSTRUCTION, ADOPTED JANUARY 1, 2007.
3. THE MANHOLE STEPS SHALL BE PLASTIC REINFORCED WITH A STEEL ROD.

JUNCTION CHAMBER TABLE

JUNCT'N No.	STATION	OFFSET	PIPE A (NORTH)	PIPE B (EAST)	PIPE C (SOUTH)	PIPE D (WEST)	RIM ELEV.	INV. A (NORTH)	INV. B (EAST)	INV. C (SOUTH)	INV. D (WEST)	TOP STRUCT.	TOP BASE	HIEGHT
140	52+75	6.0' LT	12"	54"	24"	36"	745.37	741.27	727.19	727.19	728.69	744.04	726.48	17.56'
147	54+17	6.0' LT	24"	54"	12"	54"	742.59	726.81	726.77	736.82	726.77	741.26	726.06	15.20'
160	57+60	6.0' LT	18"	54"	30"	54"	735.07	731.00	726.09	726.12	726.09	733.74	725.38	8.36'
179	59+90	6.0' LT	18"	54"	12"	54"	732.70	726.60	724.16	727.04	724.16	731.37	723.45	7.92'
227	72+05	5.0' LT	54"	NONE	12"	54"	719.63	711.15	NONE	713.89	711.15	718.63	710.44	7.86'

*STATION/OFFSET IS TO CENTER OF STRUCTURE

STRUCTURE NOTES

1. CONTRACTOR HAS OPTION TO CONSTRUCT A CAST-IN-PLACE OR PRECAST CONCRETE STRUCTURE.
2. STRUCTURE SHALL BE DESIGNED IN ACCORDANCE WITH AASHTO STANDARD SPECIFICATIONS FOR HIGHWAY BRIDGES, SEVENTEENTH EDITION, 2002. DESIGN SHALL BE PROVIDED FOR EITHER A PRECAST OR CAST-IN-PLACE STRUCTURE.
3. STRUCTURE SHALL BE DESIGNED FOR AN HS20-44 TRAFFIC LOADING.
4. SHOP DRAWINGS AND DESIGN CALCULATIONS SHALL BE SIGNED AND SEALED BY A LICENSED STRUCTURAL ENGINEER REGISTERED IN THE STATE OF ILLINOIS AND SHALL BE SUBMITTED TO THE PHASE II ENGINEER FOR REVIEW.
5. SHOP DRAWINGS SHALL SHOW COMPLETE DETAILS INCLUDING ALL DIMENSIONS, REINFORCING, OPENING DETAILS, JOINT MATERIALS, AND INFORMATION PERTINENT TO THE DESIGN AND CONSTRUCTION OF THE STRUCTURE.
6. THE PRECAST OPTION SHALL BE CONSTRUCTED AND INSTALLED IN ACCORDANCE WITH SECTION 504 OF THE ILLINOIS DEPARTMENT OF TRANSPORTATION STANDARD SPECIFICATIONS FOR ROAD AND BRIDGE CONSTRUCTION, ADOPTED JANUARY 1, 2007. CLASS SI CONCRETE SHALL BE USED. MINIMUM WALL AND SLAB THICKNESS SHALL BE 10 INCHES. REINFORCING STEEL SHALL BE PROVIDED ON BOTH FACES OF WALLS AND SLABS.
7. THE CAST-IN-PLACE OPTION SHALL BE CONSTRUCTED AND INSTALLED IN ACCORDANCE WITH SECTION 504 OF THE ILLINOIS DEPARTMENT OF TRANSPORTATION STANDARD SPECIFICATIONS FOR ROAD AND BRIDGE CONSTRUCTION, ADOPTED JANUARY 1, 2007. CLASS SI CONCRETE SHALL BE USED. MINIMUM WALL AND SLAB THICKNESS SHALL BE 10 INCHES. REINFORCING STEEL SHALL BE PROVIDED ON BOTH FACES OF WALLS AND SLABS.
8. BASE MATERIAL FOR PRECAST OPTION SHALL BE COMPACTED CA-18. BASE MATERIAL FOR CAST-IN-PLACE OPTION SHALL BE CA-6 COMPACTED TO 98% STANDARD PROCTOR DENSITY.
9. JOINTS BETWEEN PRECAST CONCRETE SECTIONS SHALL BE SEALED WITH A MASTIC JOINT SEALER CONFORMING TO SECTION 1055 OF THE ILLINOIS DEPARTMENT OF TRANSPORTATION STANDARD SPECIFICATIONS FOR ROAD AND BRIDGE CONSTRUCTION, ADOPTED JANUARY 1, 2007. HANDLING HOLES SHALL BE FILLED WITH A PRECAST PLUG, SEALED AND COVERED WITH MASTIC.
10. JOINTS IN CAST-IN-PLACE CONSTRUCTION SHALL BE SEALED WITH A PVC WATER SEAL CONFORMING TO SECTION 1054.02 OF THE ILLINOIS DEPARTMENT OF TRANSPORTATION STANDARD SPECIFICATIONS FOR ROAD AND BRIDGE CONSTRUCTION, ADOPTED JANUARY 1, 2007.

REVISIONS	
NAME	DATE

ILLINOIS DEPARTMENT OF TRANSPORTATION

CONSTRUCTION DETAILS
JUNCTION CHAMBER

SCALE: VERT. NONE
HORIZ. NONE

DATE: 1/7/09

DRAWN BY: TC/SBP
CHECKED BY: TC/SBP



PLOT DATE = 1/15/2009
 FILE NAME = H:\projects\20089_11\Print\Civil\Sht\Details_Misc.dgn
 PLOT SCALE = NONE
 USER NAME = USER