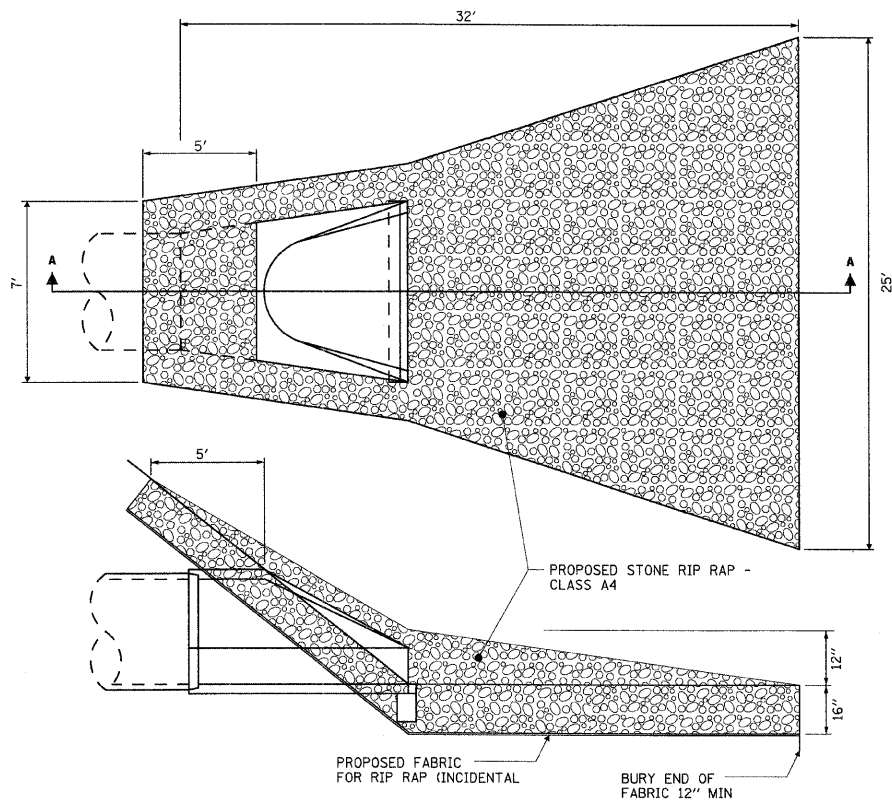


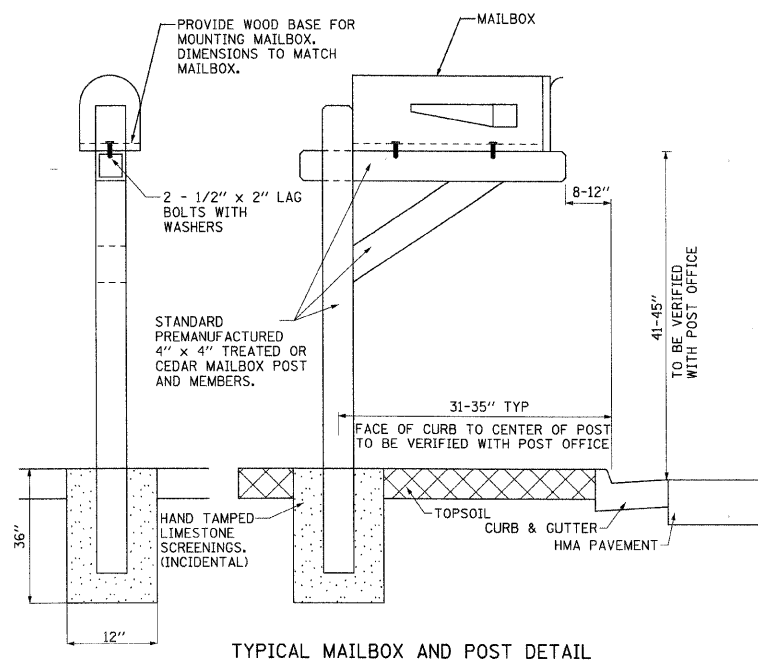
F.A.U. RTE.	SECTION	COUNTY	TOTAL SHEETS	SHEET NO.
1503	08-00260-01-PV	KANE	176	111
STA.		TO STA.		
FED. ROAD DIST. NO.		ILLINOIS	FED. AID PROJECT	



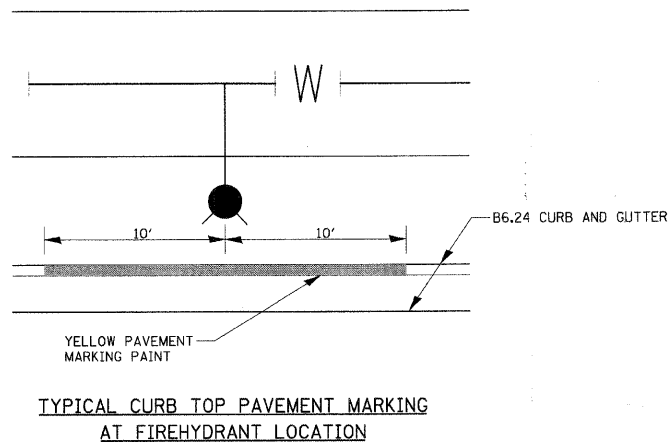
NOTES:

- 1. THE FILTER FABRIC SHALL MEET THE REQUIREMENTS IN NCRS MATERIAL SPECIFICATIONS 592 GEOTEXTILE TABLE 1 OR 2, CLASS 1.
- 2. THE ROCK RIPRAP SHALL MEET THE IDOT REQUIREMENTS FOR THE FOLLOWING GRAD. NO. 4, QUALITY DESIGNATION A.
- 3. THE RIPRAP SHALL BE PLACED ACCORDING TO NCRS CONSTRUCTION SPECIFICATION 61 ROCK RIPRAP. THE ROCK MAY BE EQUIPMENT PLACED.

RIP RAP DETAIL AT 54" END SECTION



TYPICAL MAILBOX AND POST DETAIL



TYPICAL CURB TOP PAVEMENT MARKING AT FIREHYDRANT LOCATION

STREET SIGN REQUIREMENTS

All streets shall use a 9" flat aluminum blank with 6" letters, upper and lower case. The prefix (N, S, E, W) and suffix (St, Ave, etc.) are 3". Sign length is determined by length of street name. The blank is covered with 3M #3990 vip diamond grade white. The letters are cut and removed from 3M # 1177 green film. This is then placed over the white to create white letters on a green background.

All signs should be mounted on the northeast corners unless obstructed. Signs may be mounted on light posts with a wing type bracket, one for each sign. Light posts must be at the northeast corner of the intersection.

FLAT ALUMINIUM BLANK THICKNESS .090

3M VIP WHITE DIAMOND GRADE FILM # 3990 Typical

6" LETTERS

438 BORDER

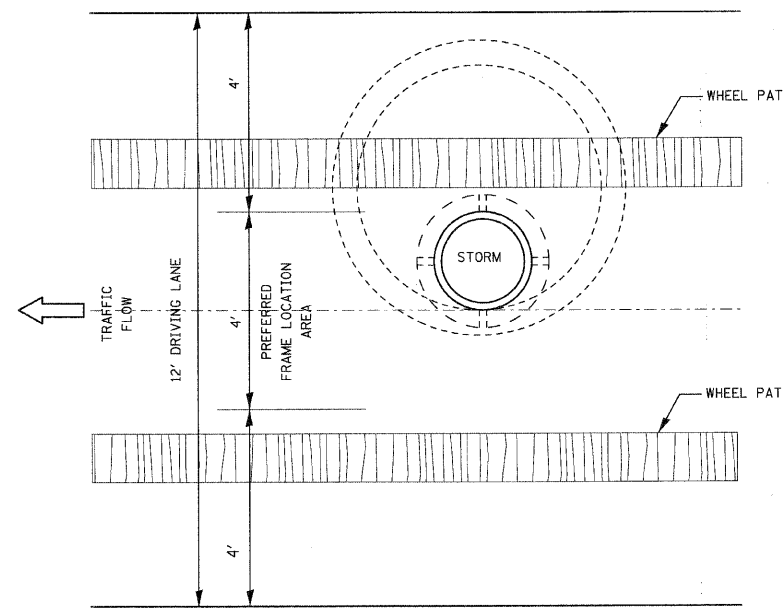
3" LETTERS



3M GREEN FILM # 1177 (Typical)

2" SPACING (Typical)

NOT LESS THAN 1" (Typical)



CASTING IN PAVEMENT DETAIL

Revisions		STREET SIGN REQUIREMENTS	
Date:	By:	Scale:	Checked:
12/03	D. Feltman	None	
		Date:	Drawn:
			D Goewey



EXHIBIT II-H-1

REVISIONS	
NAME	DATE

ILLINOIS DEPARTMENT OF TRANSPORTATION  
CONSTRUCTION DETAILS



SCALE: VERT. NONE  
HORIZ. NONE  
DATE: 1/7/09

DRAWN BY: TC/SBP  
CHECKED BY: TC/SBP