

FOR INDEX OF SHEETS, SEE SHEET NO.2

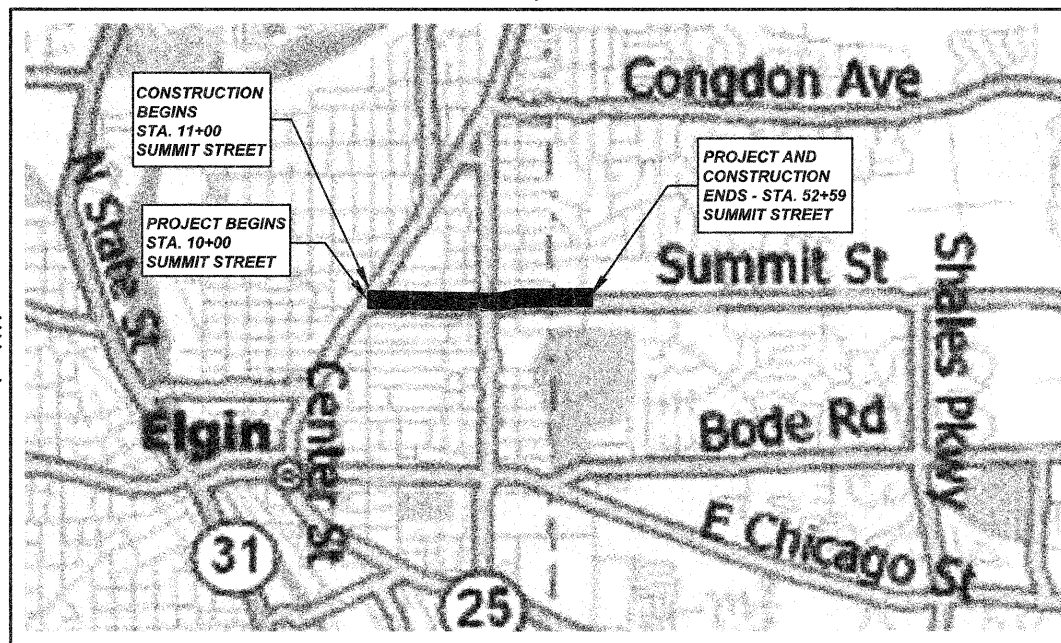
STATE OF ILLINOIS  
 DEPARTMENT OF TRANSPORTATION  
 DIVISION OF HIGHWAYS  
**PLANS FOR PROPOSED  
 FEDERAL AID PROJECT  
 RESURFACING**  
**SUMMIT STREET - FAU ROUTE 1320**  
**PROJECT NO. ARA-9003(225)**  
**SECTION NO. 08-00174-00-RS**  
**FROM DUNDEE AVENUE (FAU 2527)**  
**TO 200' EAST OF HIAWATHA DRIVE**  
**CITY OF ELGIN**  
**KANE/COOK COUNTY**  
**JOB NO. C-91-283-09**

F.A.U. RTE.	SECTION	COUNTY	TOTAL SHEETS	SHEET NO.
1320	08-00174-00-RS	KANE/COOK	19	1
FED. ROAD DIST. NO.	ILLINOIS	FED. AID PROJECT - LAPP		
CONTRACT NO. 63150				



DESIGN DESIGNATION	
Summit Street:	MAJOR ARTERIAL DESIGN SPEED = 35 M.P.H. POSTED SPEED = 35 M.P.H. ADT(2006) = 18,300 (AT LIBERTY ST.)

R-8E, R-9E



SW 1/4 AND SE 1/4 SEC. 12, T-41N, R-8E, AND W 1/2 SW 1/4 SEC. 7, T-41N, R-9E

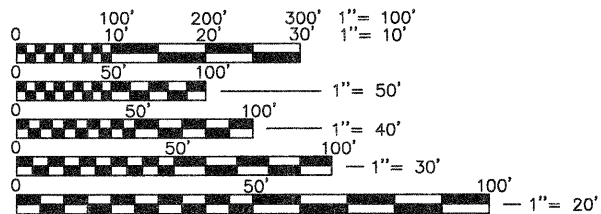
LOCATION MAP  
N.T.S.

NET LENGTH OF PROJECT = 4,159 FEET (0.79 MILES)  
GROSS LENGTH OF PROJECT = 4,259 FEET (0.81 MILES)

TOPOGRAPHICAL INFORMATION FROM SURVEY  
BY ENGINEERING ENTERPRISES, INC.

PRINTED BY THE AUTHORITY OF THE STATE OF ILLINOIS

CONSULTING ENGINEER: ENGINEERING ENTERPRISES, INC.  
CONTACT: SEAN W. MIKOS (847)-683-3100



FULL SIZE PLANS HAVE BEEN PREPARED USING STANDARD ENGINEERING SCALES, REDUCED SIZED PLANS WILL NOT CONFORM TO STANDARD SCALES, IN MAKING MEASUREMENTS ON REDUCED PLANS, THE ABOVE SCALES MAY BE USED.

J.U.L.I.E.  
JOINT UTILITY LOCATION INFORMATION FOR EXCAVATION  
DIAL 811 OR 1-800-892-0123

CONTRACT 63150

STATE OF ILLINOIS DEPARTMENT OF TRANSPORTATION DIVISION OF HIGHWAYS	
APPROVED	March 31, 2009 <i>Joseph P. ...</i> LOCAL AGENCY, POSITION
PASSED	APRIL 06, 2009 <i>C. Holt</i> DISTRICT 1 ENGINEER OF LOCAL ROADS & STREETS
RELEASING FOR BID BASED ON LIMITED REVIEW	APRIL 06, 2009 <i>Diana M. O'Keefe</i> DEPUTY DIRECTOR OF HIGHWAYS, REGION 1 ENGINEER

DATE: 3/31/09

BY: *Jason M. Bauer*  
JASON M. BAUER

LICENSE EXPIRES: NOVEMBER 30, 2009

SEAL

**Engineering Enterprises, Inc.**  
 CONSULTING ENGINEERS  
 52 Wheeler Road  
 Sugar Grove, Illinois 60554  
 P: 630.466.6700 - W: www.eiweb.com

FIELD ENGINEER: MARLIN SOLOMON (847) 705-4407

Plotted: March 20, 2009 @ 11:00 AM By: Jim Gales - Tab: 01 Cover - 22x34  
COPYRIGHT © 2009 ENGINEERING ENTERPRISES, INC.

F.A.U. RTE.	SECTION	COUNTY	TOTAL SHEETS	SHEET NO.
1320	08-00174-00-RS	KANE/COOK	19	2
CONTRACT NO. 63150				

**GENERAL NOTES AND CONSTRUCTION SPECIFICATIONS**

- The Contractor shall obtain, erect, maintain and remove all signs, barricades, flaggers and other traffic control devices as may be necessary for the purpose of regulating, warning or guiding traffic. Placement and maintenance of all traffic control devices shall be in accordance with the applicable parts of Article 107.14 of the Standard specifications and the Illinois Manual on Uniform Traffic Control Devices for Streets and Highways.
- Location of utilities shown on plans are approximate only, and are not necessarily complete. Contractor shall make his own investigations as to location of all existing underground structures, cables and pipe lines.
- All elevations are based on U.S.G.S. Datum.
- All road signs, street signs and traffic signs which need to be relocated or moved due to construction shall be taken down and stored by the Contractor except those that are necessary for proper traffic control which shall be temporarily reset until completion of construction operations. After completion of the work, the Contractor shall reset all said signs. The work shall be included in the traffic control pay items, and shall not be paid for separately.
- Special attention is drawn to the fact that Article 105.06 of the standard specifications requires the Contractor to have a competent superintendent on the project site at all times, irrespective of the amount of work sublet. The superintendent shall be capable of reading and understanding the plans and specifications, shall have full authority to execute orders to expedite the project, shall be responsible for scheduling and have control of all work as the agent of the Contractor. Failure to comply with this provision will result in a suspension of work as provided in Article 108.08.
- Any reference to standards throughout the plans or special provisions shall be interpreted as the latest standard of the department as shown on the plans.
- The Contractor shall protect and carefully preserve all section or subsection monuments or property or reference markers until the owner, his agent or an authorized surveyor has witnessed or otherwise referenced their locations.
- The unit price for all removal pay items shall include all required saw cuts.
- All work performed relative to this improvement shall comply with all applicable rules and regulations of O.S.H.A.
- Contractor shall provide and install two weighted sand bags on each Type I or Type II Barricade used. (One weighted sand bag across each bottom rail) This work will not be paid for separately. But the cost shall be considered as included in the contract unit price for the construction items involved and no additional compensation will be allowed.
- Mixture for cracks, joints and flangeways: An estimated quantity based on field observation has been included in the contract. The location and limits of all joint or crack filling shall be determined by the engineer at the time of construction. If the mixture for cracks, joints and flangeways is not required, the quantity shall be deducted and no additional compensation will be due to the contractor.
- Before starting any excavation, the Contractor shall call "JULIE" at 800-892-0123 for field locations of buried electric, telephone and gas facilities. (48 hour notification is required)
- 10 foot transitions shall be used to match proposed curb & gutter and median items of work to existing curbs & gutters and medians in the field, unless otherwise shown. The transitions shall be paid for at the contract unit price for the proposed items of work specified.
- The Contractor shall coordinate construction activities with utility companies and the City of Elgin.
- When milled pavement is open to traffic the maximum grade differential between passes of the milling machine shall not exceed 1/8 inches (40 mm) where the speed limit is 45 mph (80 km/h) or less and 1 inch (25 mm) where the speed limit is greater than 45 mph (80 km/h). With written approval from the Engineer, a maximum grade differential of 3 inches (75 mm) may be allowed if the edge of the milling is sloped a minimum 1:3 (V:H).
- Butt joints will be installed at the ends of all resurfacing (where the resurfacing meets existing pavement) in accordance with the "Butt Joint and HMA Taper Details" sheet included in the plans, unless otherwise specified.

- Whenever, during construction operations any loose material is deposited in the flow line of drainage structures such that the natural flow of water is obstructed, it shall be removed at the close of each working day. At the conclusion of construction operations, all drainage structures shall be free from dirt and debris. The work specified above will not be paid for separately, but shall be considered as included in the contract pay items.
- Existing public and private utilities are shown on the plans according to information obtained from utility companies, municipalities, and surveys. The Contractor shall familiarize himself with the location of all utilities and structures that may be found in the vicinity of the construction. He will also assume responsibility for all utilities whether shown or not, and must realize that the actual locations and/or elevations of the utilities may be different than indicated.  
  
Should any damages occur due to the Contractor's negligence, the Contractor, at his own expense, shall make repairs in a manner acceptable to the Engineer. The Contractor shall notify all utility companies of his construction schedule and coordinate construction operations with the utility companies so that relocation of utility lines and structures may proceed in an orderly manner.
- During construction, if the Contractor encounters or otherwise becomes aware of any sewer, underdrains or field drains within the right-of-way other than those shown on the plans, he shall so inform the Engineer who shall direct the work necessary to maintain or to replace the facilities in service and to protect them from damage during construction if to be maintained. Existing facilities to be maintained that are damaged because of non-compliance with this provision shall be replaced at the Contractor's own expense.
- Summit Street shall remain open to traffic at all times. When necessary to close one lane of Summit Street due to construction, the Contractor shall maintain a minimum of one-way traffic during construction hours with the use of signs and flagmen as shown on the Traffic Control Standards. Two lanes of traffic shall be maintained at all other times when non-crossing work or no construction activities are being carried on. Access to all adjoining properties shall be maintained at all times. Any temporary access closures shall be coordinated with the affected property owner.

**INDEX OF SHEETS**

SHEET NO.	SHEET DESCRIPTION
1.	COVER SHEET AND LOCATION MAP
2.	GENERAL NOTES, STATE STANDARDS, AND INDEX OF SHEETS
3.	SUMMARY OF QUANTITIES
4.	TYPICAL EXISTING CROSS SECTIONS AND REMOVAL WORK
5.	TYPICAL PROPOSED CROSS SECTIONS
6.	PLAN, CONSTRUCTION NOTES, AND DETAILS
7.	PLAN, CONSTRUCTION NOTES, AND DETAILS
8.	PLAN, CONSTRUCTION NOTES, AND DETAILS
9.	PAVEMENT MARKING DETAILS
10.	PAVEMENT MARKING DETAILS
11.	PAVEMENT MARKING DETAILS
12.	DETECTOR LOOP AT INTERSECTION DETAILS
<b>DISTRICT ONE CADD DETAILS</b>	
13.	(TC-10) TRAFFIC CONTROL AND PROTECTION FOR SIDE ROADS, INTERSECTIONS, AND DRIVEWAYS
14.	(TC-11) TYPICAL APPLICATIONS RAISED REFLECTIVE PAVEMENT MARKERS (SNOW-PLOW RESISTANT)
15.	(TC-13) DISTRICT ONE - TYPICAL PAVEMENT MARKINGS
16.	(BD-22) PAVEMENT PATCHING FOR HMA SURFACED PAVEMENT
17.	(BD-24) CURB OR CURB AND GUTTER REMOVAL AND REPLACEMENT
18.	(BD-32) BUTT JOINT AND HMA TAPER DETAILS
19.	(TS-07) DISTRICT ONE - DETECTOR LOOP INSTALLATION DETAILS FOR ROADWAY RESURFACING

**LEGEND**

EXISTING	DESCRIPTION	PROPOSED
	SANITARY SEWER	
	STORM SEWER	
	END SECTION	
	WATER MAIN & SIZE	
	WATER SERVICE & BOX	
	CONTOUR	
	GAS MAIN	
	TELEPHONE CABLE	
	MANHOLE	
	CATCH BASIN	
	INLET	
	HYDRANT	
	VALVE VAULT	
	TREE	
	ELEVATION	
	STREET LIGHT	
	SIGNS	
	FOUND IRON PIPE	
	GUY WIRE	
	FLAG POLE	
	UTILITY POLE	
	UTILITY PEDESTAL	
	HANDHOLE	
	SIGNAL POST OR MAST ARM	
	CONTROLLER	
	HANDHOLE	

**STATE STANDARDS**

STD. NO.	DESCRIPTION
000001-05	STANDARD SYMBOLS, ABBREVIATIONS, AND PATTERNS
424001-05	CURB RAMPS FOR SIDEWALKS
442201-03	CLASS C AND D PATCHES
606001-04	CONCRETE CURB TYPE B AND COMBINATION CONCRETE CURB AND GUTTER
701426-03	LANE CLOSURE, MULTILANE, INTERMITTENT OR SLOW MOVING OPERATION, FOR SPEEDS >45 MPH
701602-04	URBAN LANE CLOSURE, MULTILANE, 2W WITH BIDIRECTIONAL LEFT TURN LANE
701801-04	LANE CLOSURE MULTILANE, 1W OR 2W CROSSWALK OR SIDEWALK CLOSURE
701901-01	TRAFFIC CONTROL DEVICES
780001-02	TYPICAL PAVEMENT MARKINGS
886001-01	DETECTOR LOOP INSTALLATIONS

Plot Date: March 20, 2009 @ 11:00 AM By: Jim Galus - Tab: 02 Notes - 22x34

COPYRIGHT © 2009 ENGINEERING ENTERPRISES, INC.

**Engineering Enterprises, Inc.**  
CONSULTING ENGINEERS  
52 Wheeler Road  
Sugar Grove, Illinois 60554  
630.466.6700 / www.eelweb.com

**CITY OF ELGIN**  
KANE COUNTY, ILLINOIS

NO.	DATE	REVISIONS
2	03-20-09	PER IDOT COMMENTS
1	02-13-09	PER IDOT COMMENTS

**SUMMIT STREET**  
**LAPP IMPROVEMENTS**

**GENERAL NOTES, STATE**  
**STANDARDS, AND INDEX**  
**OF SHEETS**

DATE:	DECEMBER 2008
PROJECT NO.:	EG0810
FILE:	EG0810-CVR
SHEET	<b>2</b> OF <b>19</b>

Path: H:\SOS\SPROJ\EG0810\DWG\DWG\_FINAL\_ENG\EG0810-CVR

**SUMMARY OF QUANTITIES**

F.A.U. RTE.	SECTION	COUNTY	TOTAL SHEETS	SHEET NO.
1320	08-00174-00-RS	KANE/COOK	19	3
CONTRACT NO. 63150				

CODE NO.	PAY ITEM	UNIT	CONST. CODE 1000 TOTAL QUANTITY
40600100	BITUMINOUS MATERIALS (PRIME COAT)	GALLON	5,770
40600300	AGGREGATE (PRIME COAT)	TON	65
40600400	MIXTURE FOR CRACKS, JOINTS, AND FLANGEWAYS	TON	50
40600635	LEVELING BINDER (MACHINE METHOD), N70	TON	1,620
40600895	CONSTRUCTING TEST STRIP	EACH	1
40600982	HOT-MIX ASPHALT SURFACE REMOVAL - BUTT JOINT	SQ YD	215
40601005	HOT-MIX ASPHALT REPLACEMENT OVER PATCHES	TON	157
40603340	HOT-MIX ASPHALT SURFACE COURSE, MIX "D", N70	TON	2,835
42400800	DETECTABLE WARNINGS	SQ FT	305
44000157	HOT-MIX ASPHALT SURFACE REMOVAL, 2"	SQ YD	19,235
44000198	HOT-MIX ASPHALT SURFACE REMOVAL, VARIABLE DEPTH	SQ YD	9,585
44001700	COMBINATION CONCRETE CURB AND GUTTER REMOVAL & REPLACEMENT	FOOT	425
44002223	HOT-MIX ASPHALT REMOVAL OVER PATCHES, 5 3/4 INCH	SQ YD	20
44002240	HOT-MIX ASPHALT REMOVAL OVER PATCHES, 10 INCH	SQ YD	35
44201317	CLASS C PATCHES, TYPE II, 7 INCH	SQ YD	20
44201321	CLASS C PATCHES, TYPE III, 7 INCH	SQ YD	25
44201323	CLASS C PATCHES, TYPE IV, 7 INCH	SQ YD	75
44201333	CLASS C PATCHES, TYPE III, 8 INCH	SQ YD	35
44201345	CLASS C PATCHES, TYPE III, 9 INCH	SQ YD	20
44300100	AREA REFLECTIVE CRACK CONTROL TREATMENT	SQ YD	28,820
60255500	MANHOLES TO BE ADJUSTED	EACH	40
60265700	VALVE VAULTS TO BE ADJUSTED	EACH	6
60266600	VALVE BOXES TO BE ADJUSTED	EACH	4
67100100	MOBILIZATION	L SUM	1
70101700	TRAFFIC CONTROL AND PROTECTION	L SUM	1
70106800	CHANGEABLE MESSAGE SIGN	CAL MO	2
70300100	SHORT-TERM PAVEMENT MARKING	FOOT	2,080
70300220	TEMPORARY PAVEMENT MARKING - LINE 4"	FOOT	16,165
70301000	WORK ZONE PAVEMENT MARKING REMOVAL	SQ FT	696
* 78000100	THERMOPLASTIC PAVEMENT MARKING - LETTERS AND SYMBOLS	SQ FT	510
* 78000200	THERMOPLASTIC PAVEMENT MARKING - LINE 4"	FOOT	13,610
* 78000400	THERMOPLASTIC PAVEMENT MARKING - LINE 6"	FOOT	2,555
* 78000600	THERMOPLASTIC PAVEMENT MARKING - LINE 12"	FOOT	1,000
* 78000650	THERMOPLASTIC PAVEMENT MARKING - LINE 24"	FOOT	335
* 78100100	RAISED REFLECTIVE PAVEMENT MARKER	EACH	422
* 81400115	HANDHOLE TO BE ADJUSTED	EACH	2
* 88600600	DETECTOR LOOP REPLACEMENT	FOOT	1,685
XX001306	SIDEWALK REMOVAL AND REPLACEMENT	SQ FT	1,493
X0321558	SANITARY MANHOLES TO BE ADJUSTED WITH NEW TYPE 1 FRAME, CLOSED LID	EACH	4
XX003435	PORTLAND CEMENT CONCRETE DRIVEWAY REMOVAL AND REPLACEMENT	SQ YD	100
XX006425	RESTORATION	SQ YD	185
	HOT-MIX ASPHALT REMOVAL OVER PATCHES, 19 INCH	SQ YD	120

\* INDICATES SPECIALTY ITEMS

Plotted: March 20, 2009 @ 11:00 AM By: Jim Golis - Tab: 03 Quantities - 22x34

COPYRIGHT © 2009 ENGINEERING ENTERPRISES, INC.



**Engineering Enterprises, Inc.**  
CONSULTING ENGINEERS  
52 Wheeler Road  
Sugar Grove, Illinois 60554  
630.466.6700 / www.eeiweb.com

**CITY OF ELGIN**  
**KANE COUNTY, ILLINOIS**

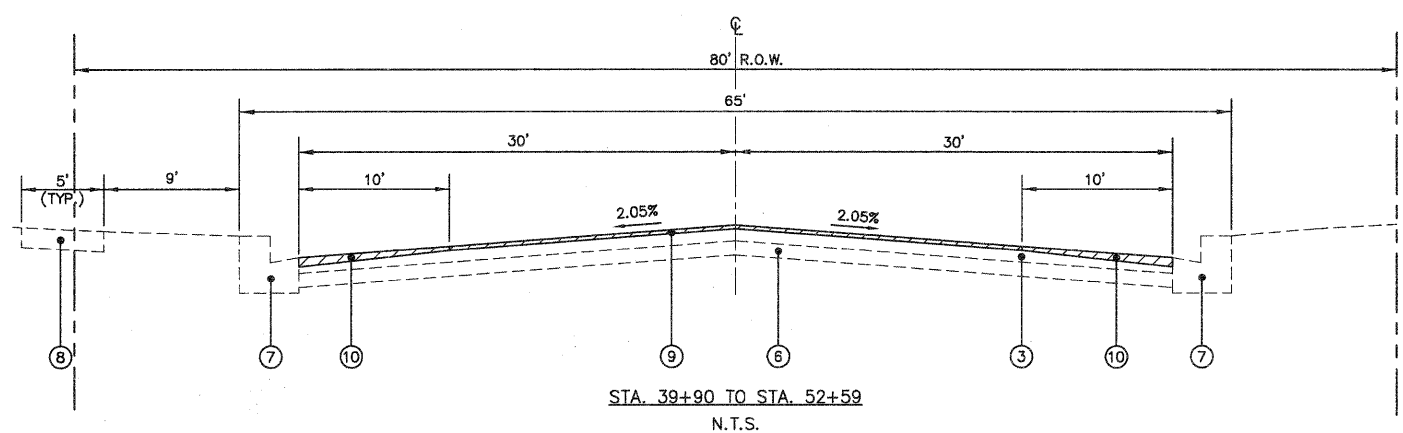
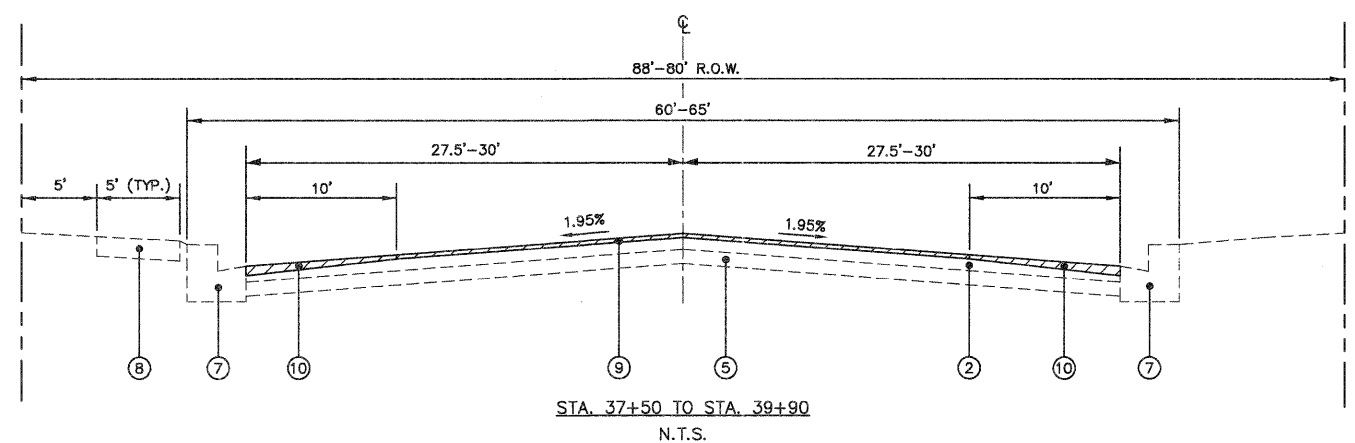
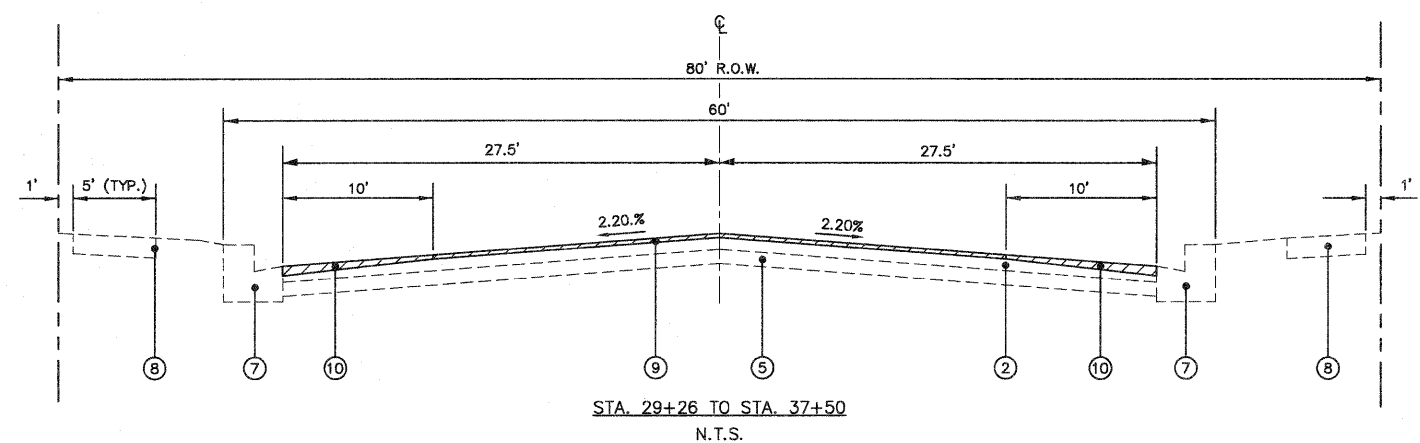
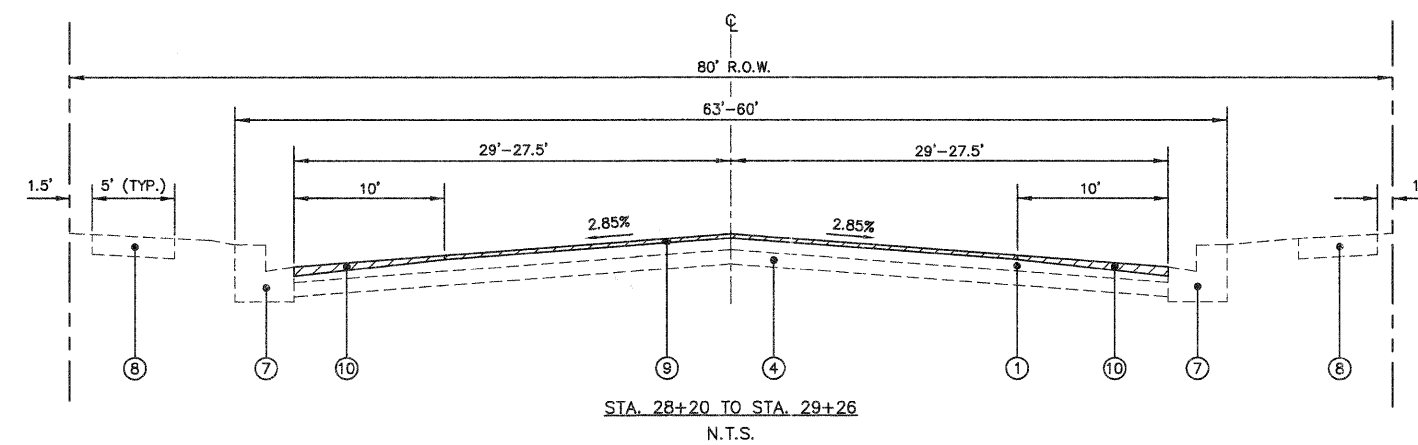
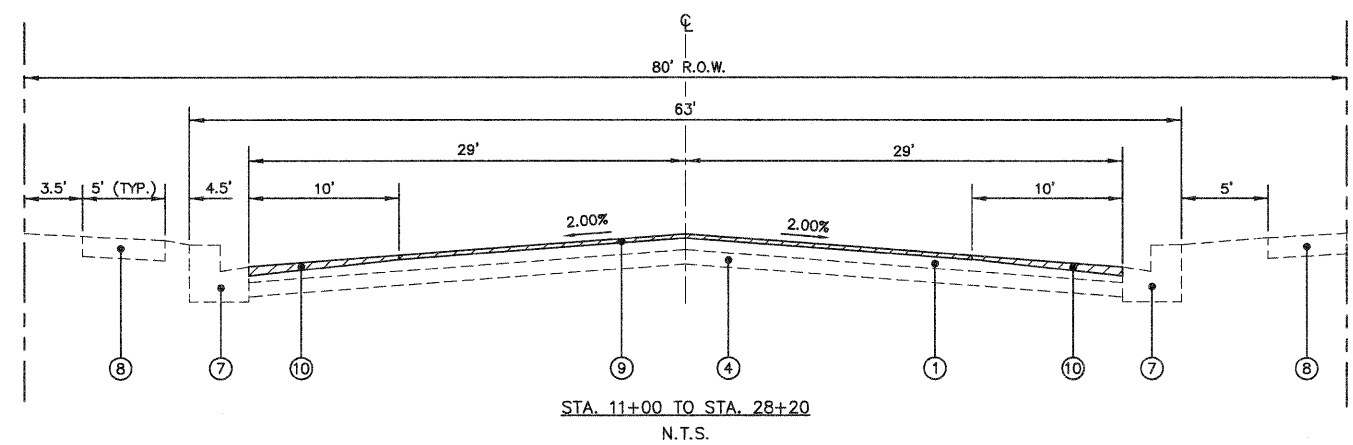
2	03-20-09	PER IDOT COMMENTS
1	02-13-09	PER IDOT COMMENTS
NO.	DATE	REVISIONS

**SUMMIT STREET  
LAPP IMPROVEMENTS**

**SUMMARY OF QUANTITIES**

DATE:	DECEMBER 2008
PROJECT NO:	EG0810
FILE:	EG0810-CVR
SHEET	<b>3</b> OF <b>19</b>

Path: \\SBSKSRV\EG0810\DWG\DWG\_FINAL\ENCL\EG0810-CVR



LEGEND	
①	EXISTING 10" ASPHALT PAVEMENT
②	EXISTING 5.75" ASPHALT PAVEMENT
③	EXISTING 19" ASPHALT PAVEMENT
④	EXISTING 8" CONCRETE PAVEMENT
⑤	EXISTING 9" CONCRETE PAVEMENT
⑥	EXISTING 7" CONCRETE PAVEMENT
⑦	EXISTING 8-6.24 COMBINATION CONCRETE CURB AND GUTTER
⑧	EXISTING PORTLAND CEMENT CONCRETE SIDEWALK, 5" (LOCATION VARIES)
⑨	HOT-MIX ASPHALT SURFACE REMOVAL, 2"
⑩	HOT-MIX ASPHALT SURFACE REMOVAL, VARIABLE DEPTH
⑪	HOT-MIX ASPHALT SURFACE COURSE, MIX "D", N70, 1 3/4"
⑫	LEVELING BINDER (MACHINE METHOD), N70, 1"
⑬	BITUMINOUS MATERIALS (PRIME COAT) AND AGGREGATE (PRIME COAT)
⑭	COMBINATION CONCRETE CURB AND GUTTER REMOVAL AND REPLACEMENT (AT VARIOUS LOCATIONS)
⑮	PORTLAND CEMENT CONCRETE SIDEWALK REMOVAL AND REPLACEMENT (AT VARIOUS LOCATIONS)
⑯	RESTORATION (AS NEEDED)

Plot: March 20, 2009 @ 11:01 AM By: Jim Galis - Tab: 04 Section - 22x34

**Engineering Enterprises, Inc.**  
CONSULTING ENGINEERS  
52 Wheeler Road  
Sugar Grove, Illinois 60554  
630.466.6700 / www.eeiweb.com

**CITY OF ELGIN**  
KANE COUNTY, ILLINOIS

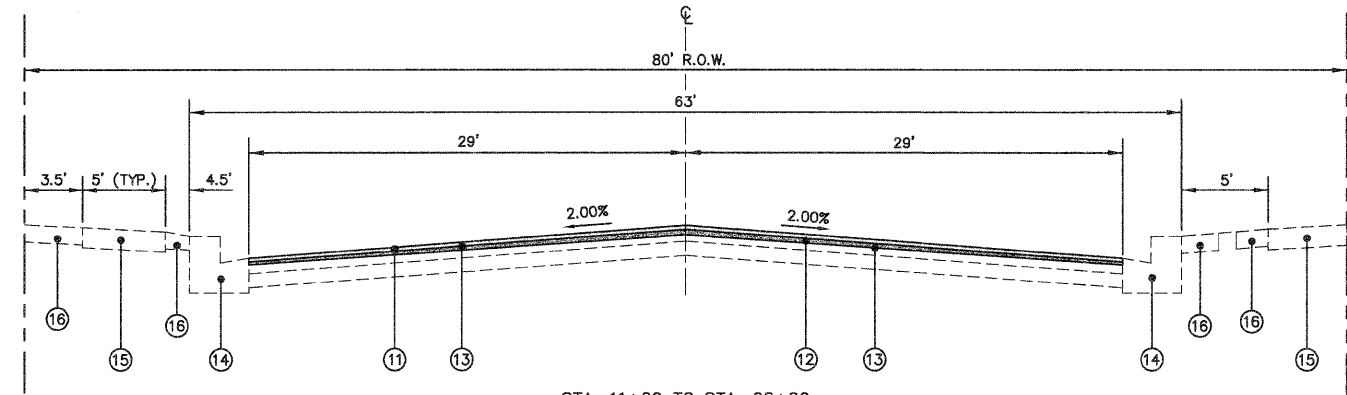
NO.	DATE	REVISIONS
2	03-20-09	PER IDOT COMMENTS
1	02-13-09	PER IDOT COMMENTS

**SUMMIT STREET**  
**LAPP IMPROVEMENTS**

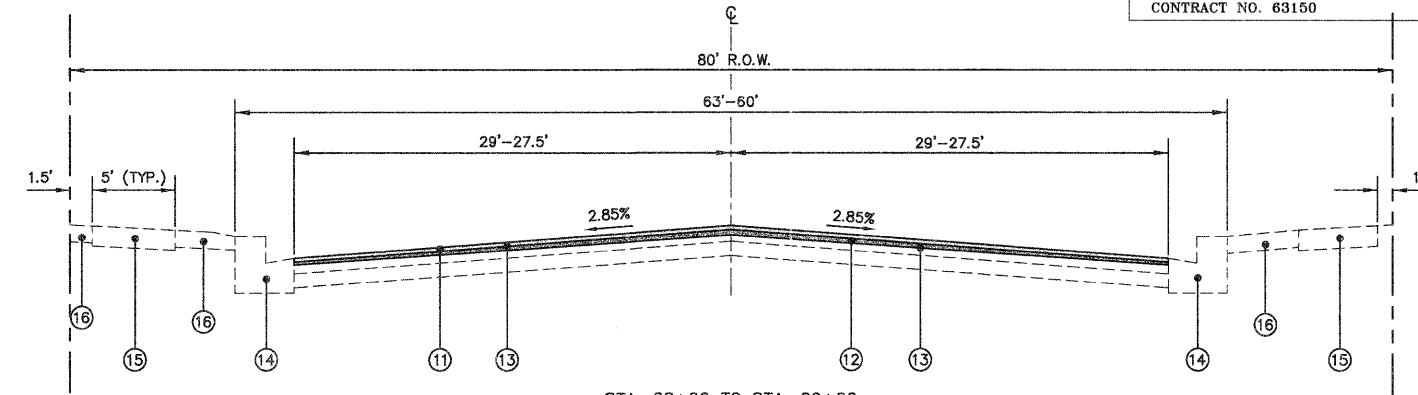
**TYPICAL EXISTING**  
**CROSS SECTIONS**  
**AND REMOVAL WORK**

DATE:	DECEMBER 2008
PROJECT NO.:	EG0810
FILE:	EG0810-CVR
SHEET	<b>4</b> OF <b>19</b>

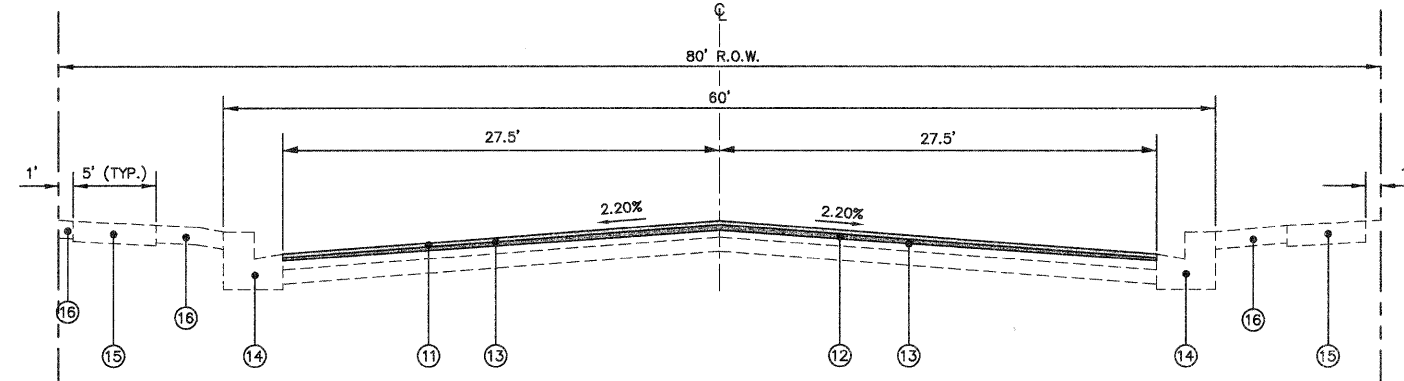
Path: H:\SDSKRPROV\EG0810\DWG\DWG\_FINAL\_ENG\EG0810-CVR



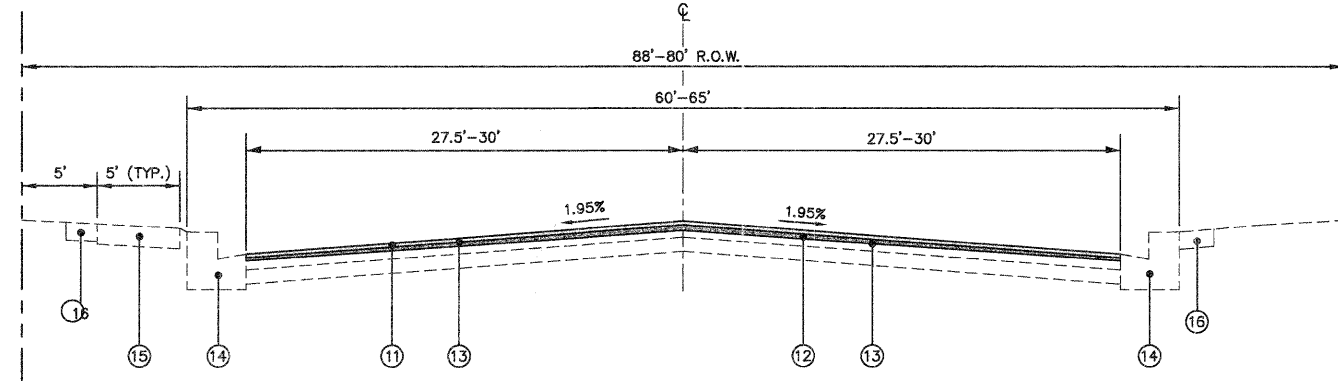
STA. 11+00 TO STA. 28+20  
N.T.S.



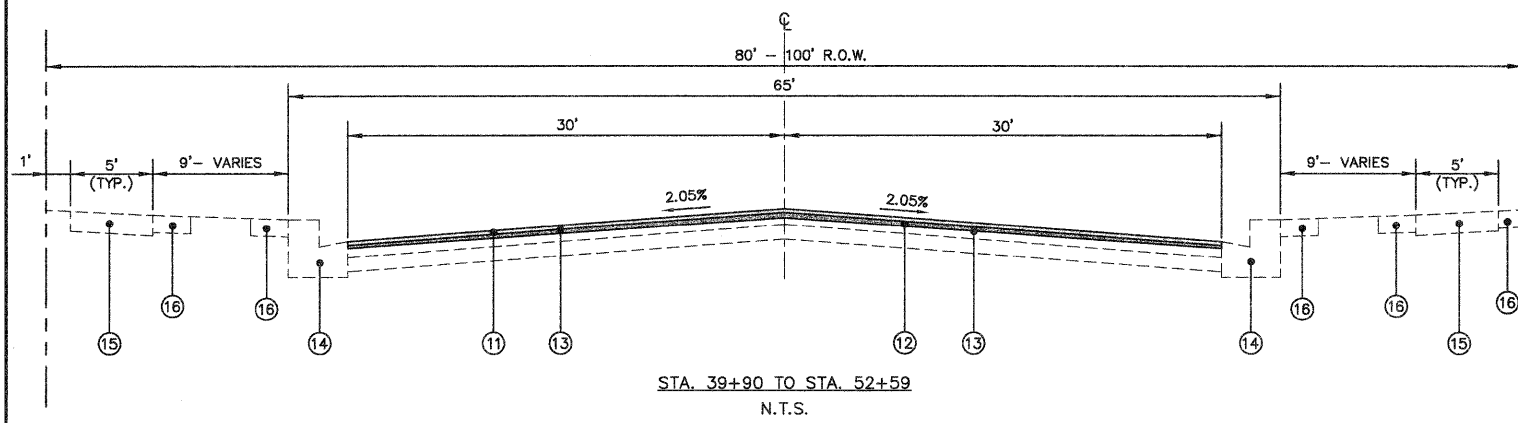
STA. 28+20 TO STA. 29+26  
N.T.S.



STA. 29+26 TO STA. 37+50  
N.T.S.



STA. 37+50 TO STA. 39+90  
N.T.S.



STA. 39+90 TO STA. 52+59  
N.T.S.

LEGEND	
①	EXISTING 10" ASPHALT PAVEMENT
②	EXISTING 5.75" ASPHALT PAVEMENT
③	EXISTING 19" ASPHALT PAVEMENT
④	EXISTING 8" CONCRETE PAVEMENT
⑤	EXISTING 9" CONCRETE PAVEMENT
⑥	EXISTING 7" CONCRETE PAVEMENT
⑦	EXISTING 8-6.24 COMBINATION CONCRETE CURB AND GUTTER
⑧	EXISTING PORTLAND CEMENT CONCRETE SIDEWALK, 5" (LOCATION VARIES)
⑨	HOT-MIX ASPHALT SURFACE REMOVAL, 2"
⑩	HOT-MIX ASPHALT SURFACE REMOVAL, VARIABLE DEPTH
⑪	HOT-MIX ASPHALT SURFACE COURSE, MIX "D", N70, 1 3/4"
⑫	LEVELING BINDER (MACHINE METHOD), N70, 1"
⑬	BITUMINOUS MATERIALS (PRIME COAT) AND AGGREGATE (PRIME COAT)
⑭	COMBINATION CONCRETE CURB AND GUTTER REMOVAL AND REPLACEMENT (AT VARIOUS LOCATIONS)
⑮	PORTLAND CEMENT CONCRETE SIDEWALK REMOVAL AND REPLACEMENT (AT VARIOUS LOCATIONS) -NO WORK SHALL BE PERFORMED OUTSIDE OF THE R.O.W.
⑯	RESTORATION (AS NEEDED)

HOT-MIX ASPHALT MIXTURE REQUIREMENTS TABLE		
PAY ITEM DESCRIPTION	AC TYPE	VOIDS
LEVELING BINDER (MACHINE METHOD), N70, (1L-9.5MM)	PG 64-22*	4% @ 70
HOT-MIX ASPHALT SURFACE COURSE, MIX "D", N70, (1L-9.5MM)	PG 64-22	4% @ 70
HOT-MIX ASPHALT REPLACEMENT OVER PATCHES (HMA BINDER 1L 19.0MM)	PG 64-22*	4% @ 70

NOTES:  
 - CONTRACTOR SHALL USE HOT-MIX ASPHALT BINDER COURSE, IL-19.0, N70, FOR ALL REPLACEMENT OVER PATCHES  
 - UNIT WEIGHT USED TO CALCULATE ALL HOT-MIX SURFACE MIXTURES IS 112 LBS/SY/IN  
 \* WHEN RAP EXCEEDS 20%, THE NEW ASPHALT BINDER IN THE MIX SHALL BE PG 58-22

Plotted: March 20, 2008 @ 11:01 AM By: Jim Galas - Tab: 03 Section - 22x34

**Engineering Enterprises, Inc.**  
 CONSULTING ENGINEERS  
 52 Wheeler Road  
 Sugar Grove, Illinois 60554  
 630.466.6700 / www.eeiweb.com

**CITY OF ELGIN**  
 KANE COUNTY, ILLINOIS

NO.	DATE	REVISIONS
2	03-20-09	PER IDOT COMMENTS
1	02-13-09	PER IDOT COMMENTS

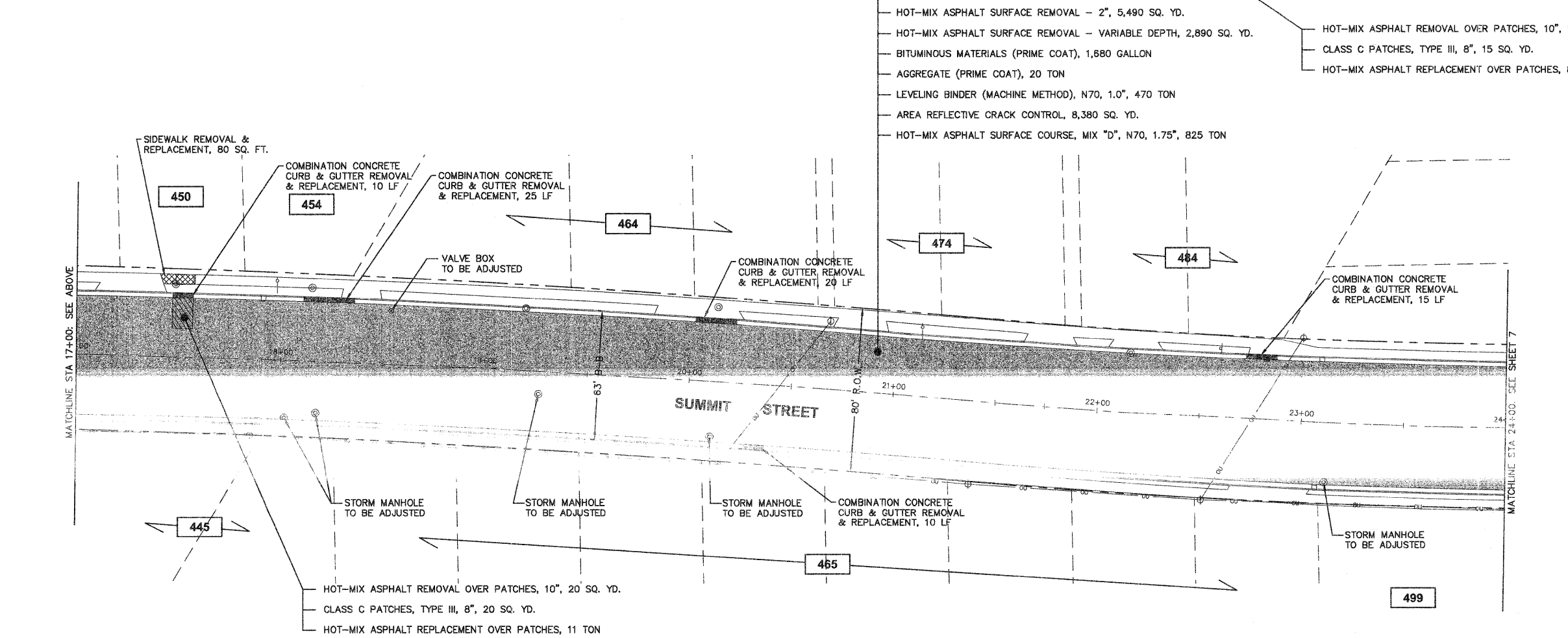
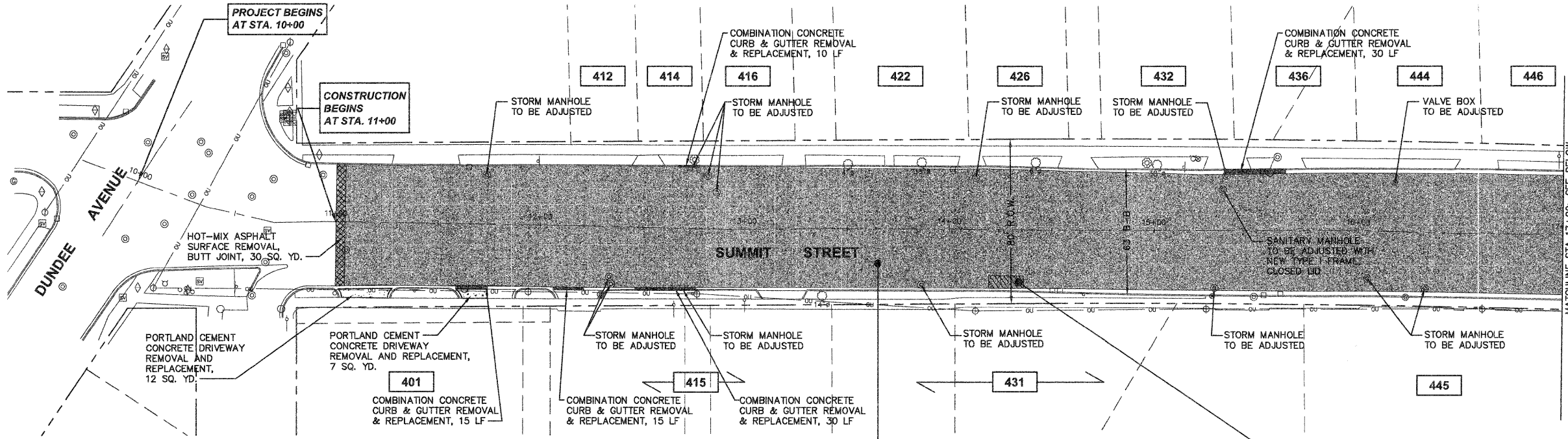
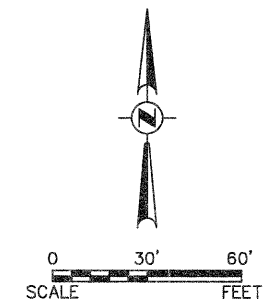
**SUMMIT STREET  
LAPP IMPROVEMENTS**

**TYPICAL PROPOSED  
CROSS SECTIONS**

DATE:	DECEMBER 2008
PROJECT NO.:	EG0810
FILE:	EG0810-CVR
SHEET	<b>5</b> OF <b>19</b>

Path: H:\SOS\PROJ\EG0810\DWG\DWG\_FINAL\ENG\EG0810-CVR

F.A.U. RTE.	SECTION	COUNTY	TOTAL SHEETS	SHEET NO.
1320	08-00174-00-RS	KANE/COOK	19	6
CONTRACT NO. 63150				



- HOT-MIX ASPHALT SURFACE REMOVAL - 2", 5,490 SQ. YD.
- HOT-MIX ASPHALT SURFACE REMOVAL - VARIABLE DEPTH, 2,890 SQ. YD.
- BITUMINOUS MATERIALS (PRIME COAT), 1,680 GALLON
- AGGREGATE (PRIME COAT), 20 TON
- LEVELING BINDER (MACHINE METHOD), N70, 1.0", 470 TON
- AREA REFLECTIVE CRACK CONTROL, 8,380 SQ. YD.
- HOT-MIX ASPHALT SURFACE COURSE, MIX "D", N70, 1.75", 825 TON
- HOT-MIX ASPHALT REMOVAL OVER PATCHES, 10", 15 SQ. YD.
- CLASS C PATCHES, TYPE III, 8", 15 SQ. YD.
- HOT-MIX ASPHALT REPLACEMENT OVER PATCHES, 8 TON

- 123** PROPERTY ADDRESS
- RESURFACING
  - CLASS C & D PATCHES
  - HOT-MIX ASPHALT SURFACE REMOVAL - BUTT JOINT & SIDEWALK REMOVAL AND REPLACEMENT
  - CURB & GUTTER REMOVAL AND REPLACEMENT
  - PCC DRIVEWAY REMOVAL AND REPLACEMENT

- NOTES:**
1. AREA REFLECTIVE CRACK CONTROL TO BE USED OVER ENTIRE AREA AFTER THE LEVELING BINDER HAS BEEN PLACED
  2. BARRICADES OR TEMPORARY RAMPS TO BE USED BY THE CONTRACTOR AROUND UTILITY ADJUSTMENTS AS DIRECTED BY THE ENGINEER.
  3. CLASS C PATCHES WILL ONLY BE USED IF ENGINEER DEEMS THE PCC REPAIR HAS FAILED.

Plotted: March 20, 2009 @ 11:27 AM By: Jim Galus - Tab: 08  
 Copyright © 2009 ENGINEERING ENTERPRISES, INC.  
 Engineering Enterprises, Inc. CONSULTING ENGINEERS  
 52 Wheeler Road  
 Sugar Grove, Illinois 60554  
 630.466.6700 / www.eeiweb.com

**Engineering Enterprises, Inc.**  
 CONSULTING ENGINEERS  
 52 Wheeler Road  
 Sugar Grove, Illinois 60554  
 630.466.6700 / www.eeiweb.com

**CITY OF ELGIN**  
**KANE COUNTY, ILLINOIS**

NO.	DATE	REVISIONS
2	03-20-09	PER IDOT COMMENTS
1	02-13-09	PER IDOT COMMENTS

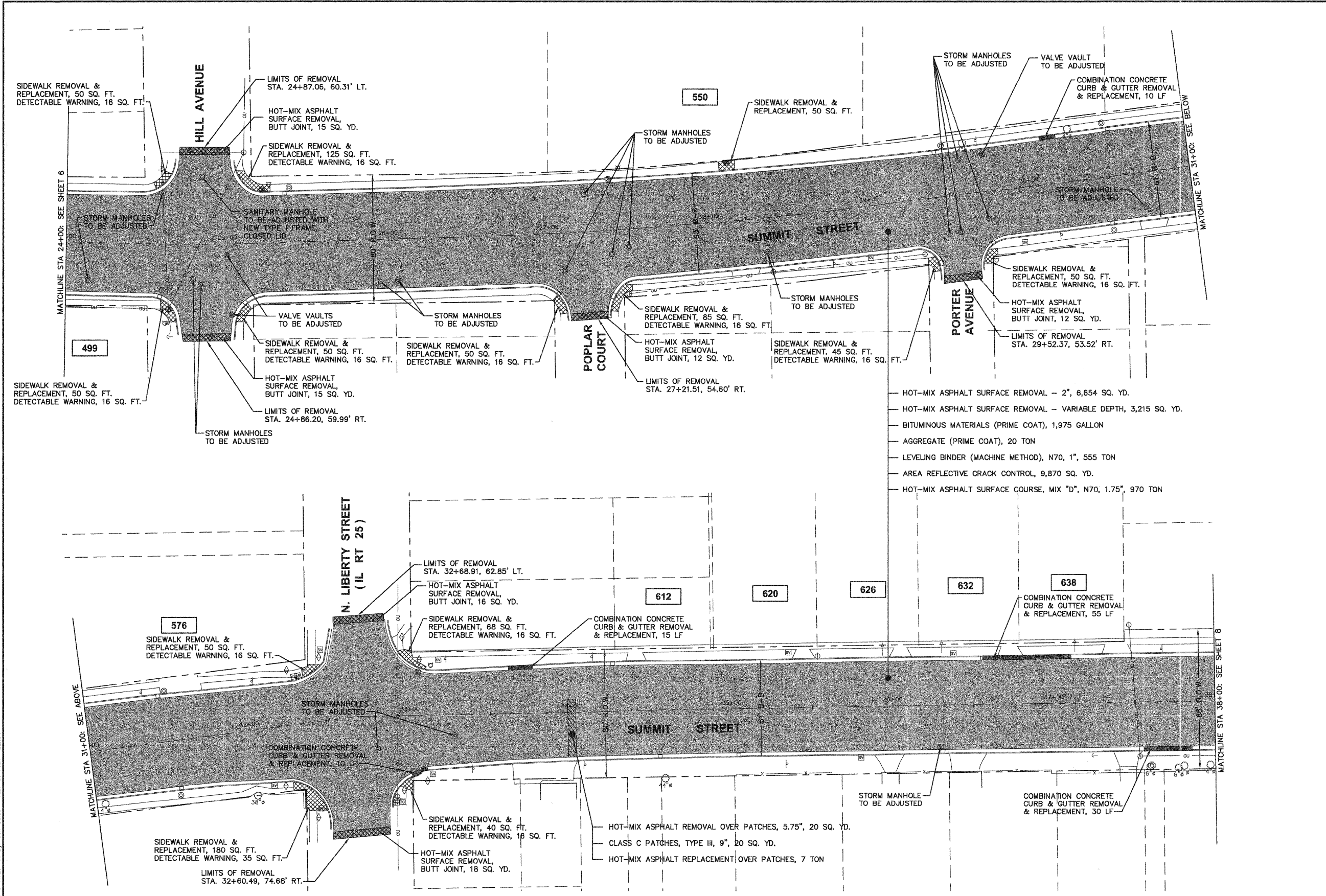
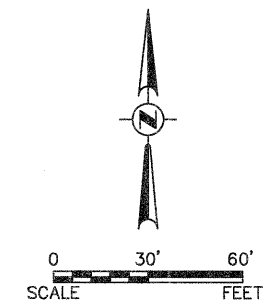
**SUMMIT STREET  
LAPP IMPROVEMENTS**

**PLAN, CONSTRUCTION  
NOTES, AND DETAILS**

DATE:	DECEMBER 2008
PROJECT NO:	EG0810
FILE:	EG0810-PLAN
SHEET	<b>6</b> OF <b>19</b>

Path: H:\S\SR\PROV\EG0810\DWG\DWG\_FINAL\_ENG\EG0810-PLAN

F.A.U. RTE.	SECTION	COUNTY	TOTAL SHEETS	SHEET NO.
1320	06-00174-00-RS	KANE/COOK	19	7
CONTRACT NO. 63150				



- 123** PROPERTY ADDRESS
- RESURFACING
  - CLASS C & D PATCHES
  - HOT-MIX ASPHALT SURFACE REMOVAL - BUTT JOINT & SIDEWALK REMOVAL AND REPLACEMENT
  - CURB & GUTTER REMOVAL AND REPLACEMENT
  - PCC DRIVEWAY REMOVAL AND REPLACEMENT

- NOTES:**
- AREA REFLECTIVE CRACK CONTROL TO BE USED OVER ENTIRE AREA AFTER THE LEVELING BINDER HAS BEEN PLACED.
  - BARRICADES OR TEMPORARY RAMPS TO BE USED BY THE CONTRACTOR AROUND UTILITY ADJUSTMENTS AS DIRECTED BY THE ENGINEER.
  - CLASS C PATCHES WILL ONLY BE USED IF ENGINEER DEEMS THE PCC BASE HAS FAILED.

Engineering Enterprises, Inc.  
 CONSULTING ENGINEERS  
 52 Wheeler Road  
 Sugar Grove, Illinois 60554  
 630.466.6700 / www.eeiweb.com

**CITY OF ELGIN**  
**KANE COUNTY, ILLINOIS**

NO.	DATE	REVISIONS
2	03-20-09	PER IDOT COMMENTS
1	02-13-09	PER IDOT COMMENTS

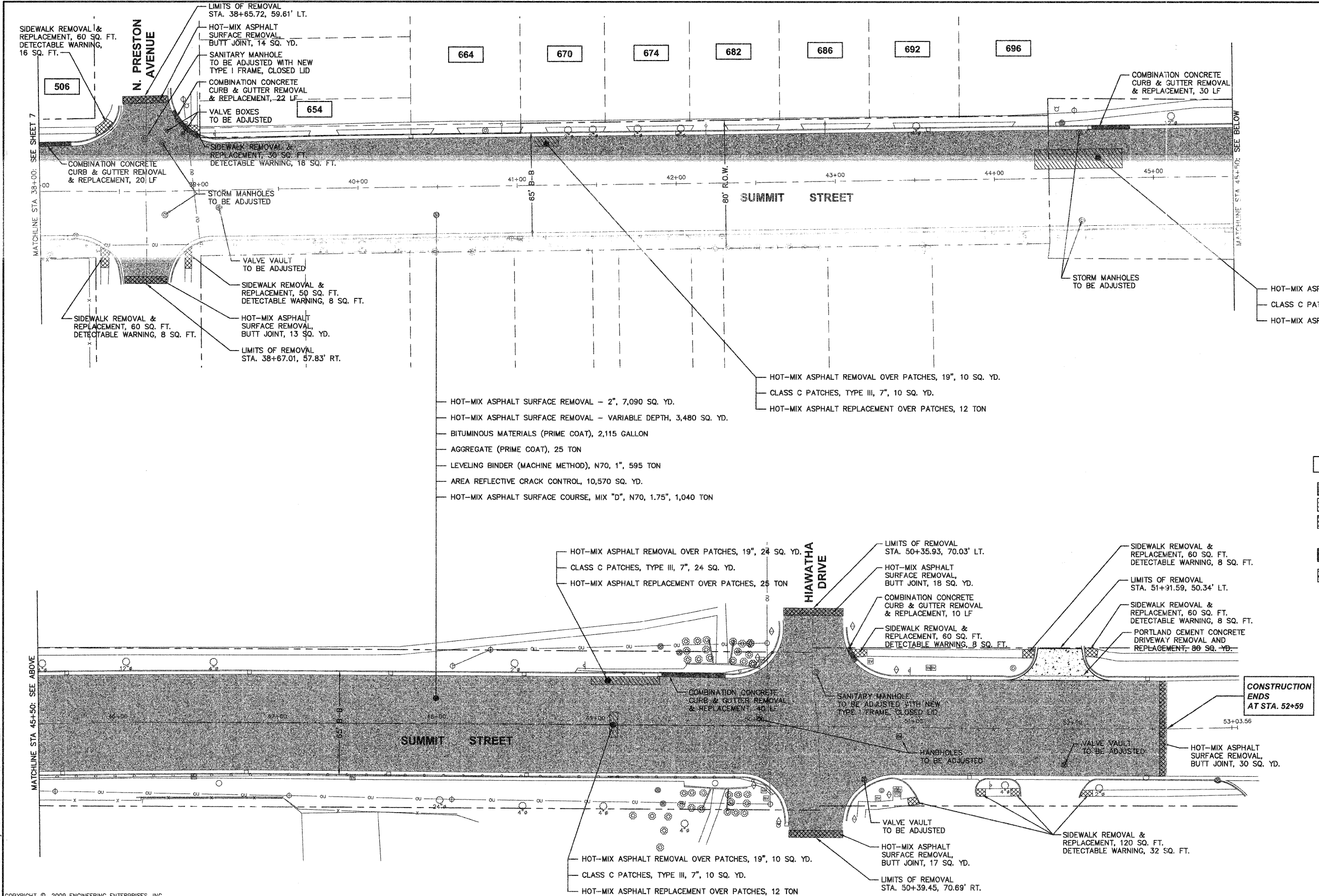
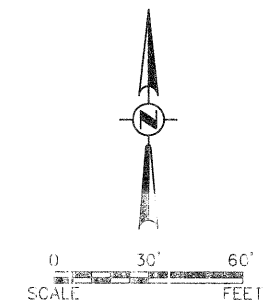
**SUMMIT STREET**  
**LAPP IMPROVEMENTS**

**PLAN, CONSTRUCTION**  
**NOTES, AND DETAILS**

DATE:	DECEMBER 2008
PROJECT NO:	EG0810
FILE:	EG0810-PLAN
SHEET	<b>7</b> OF <b>19</b>

Plotted: March 20, 2009 @ 11:27 AM By: Jim Galus - Tab: 07 Plan- 22x34  
 Part: H: S:\SKRPROV\EG0810\DWG\FINAL\EG0810-PLAN

F.A.U. RTE.	SECTION	COUNTY	TOTAL SHEETS	SHEET NO.
1320	08-00174-00-RS	KANE/COOK	19	8
CONTRACT NO. 63150				



- 123** PROPERTY ADDRESS
- RESURFACING
  - CLASS C & D PATCHES
  - HOT-MIX ASPHALT SURFACE REMOVAL - BUTT JOINT & SIDEWALK REMOVAL AND REPLACEMENT
  - CURB & GUTTER REMOVAL AND REPLACEMENT
  - PCC DRIVEWAY REMOVAL AND REPLACEMENT

- NOTES:**
- AREA REFLECTIVE CRACK CONTROL TO BE USED OVER ENTIRE AREA AFTER THE LEVELING BINDER HAS BEEN PLACED.
  - BARRICADES OR TEMPORARY RAMPS TO BE USED BY THE CONTRACTOR AROUND UTILITY ADJUSTMENTS AS DIRECTED BY THE ENGINEER.
  - CLASS C PATCHES WILL ONLY BE USED IF ENGINEER DEEMS THE PCC BASE HAS FAILED.

**CONSTRUCTION ENDS AT STA. 52+59**

Engineering Enterprises, Inc.  
CONSULTING ENGINEERS  
52 Wheeler Road  
Sugar Grove, Illinois 60554  
630.466.6700 / www.eeiweb.com

**CITY OF ELGIN**  
**KANE COUNTY, ILLINOIS**

NO.	DATE	REVISIONS
2	03-20-09	PER IDOT COMMENTS
1	02-13-09	PER IDOT COMMENTS

**SUMMIT STREET**  
**LAPP IMPROVEMENTS**

**PLAN, CONSTRUCTION**  
**NOTES, AND DETAILS**

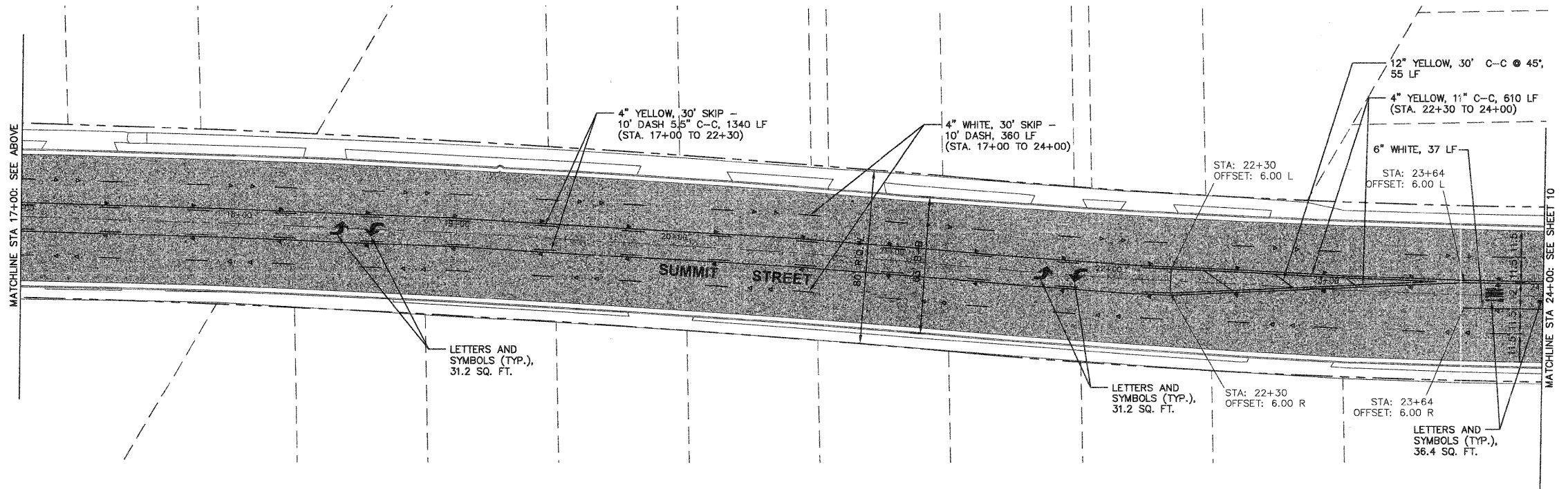
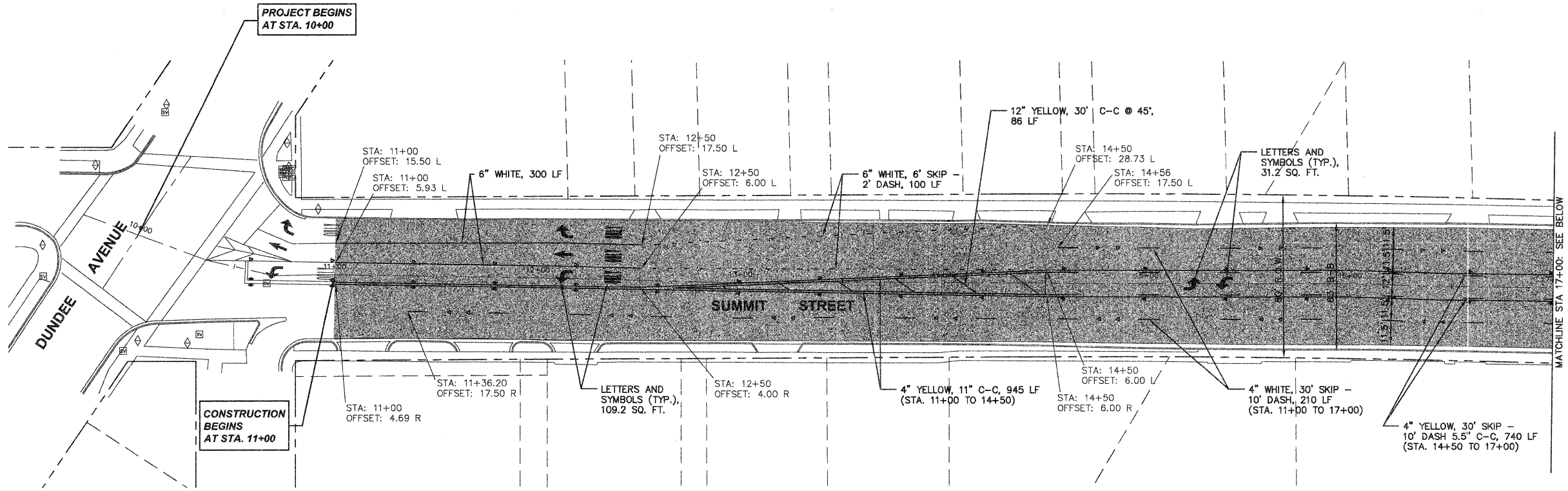
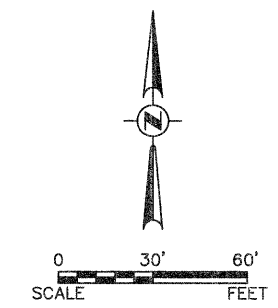
DATE:	DECEMBER 2008
PROJECT NO:	EG0810
FILE:	EG0810-PLAN
SHEET	<b>8</b> OF <b>19</b>

Plotted: March 20, 2009 @ 11:27 AM By: Jim Guras - Tab: 08 Plan - 22x34

Path: \\S05KRR01\EG0810\DWG\DWG\_FINAL\_ENG\EG0810-PLAN



F.A.U. RTE.	SECTION	COUNTY	TOTAL SHEETS	SHEET NO.
1320	08-00174-00-RS	KANE/COOK	19	9
CONTRACT NO. 63150				



- ▼ ONE-WAY CRYSTAL MARKER
- ▼ ONE-WAY AMBER MARKER
- ◆ TWO-WAY AMBER MARKER
- RESURFACING

NOTES:  
1. ALL PAVEMENT MARKINGS ARE TO BE THERMOPLASTIC

Plotted: March 20, 2009 @ 11:29 AM By: Jim Gales - Tab: 08 Stripe-- 22x34

COPYRIGHT © 2009 ENGINEERING ENTERPRISES, INC.

**Engineering Enterprises, Inc.**  
CONSULTING ENGINEERS  
52 Wheeler Road  
Sugar Grove, Illinois 60554  
630.466.6700 / www.eeiweb.com

**CITY OF ELGIN**  
KANE COUNTY, ILLINOIS

NO.	DATE	REVISIONS
2	03-20-09	PER IDOT COMMENTS
1	02-13-09	PER IDOT COMMENTS

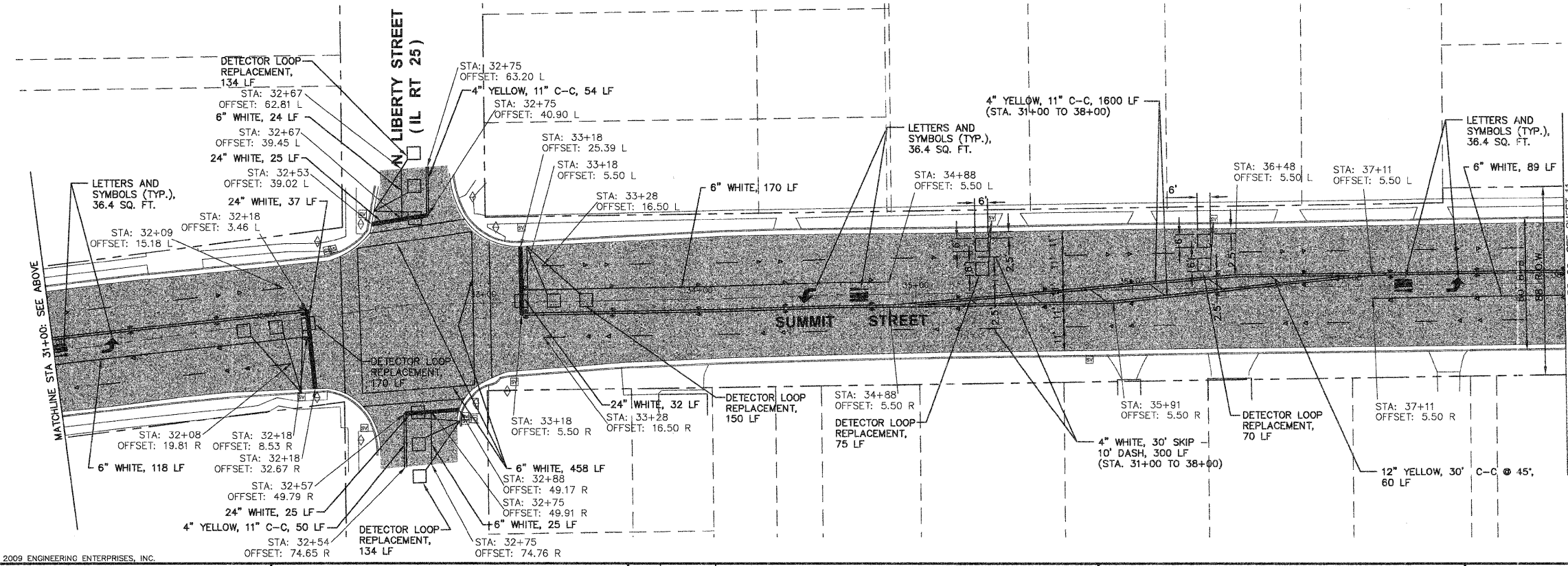
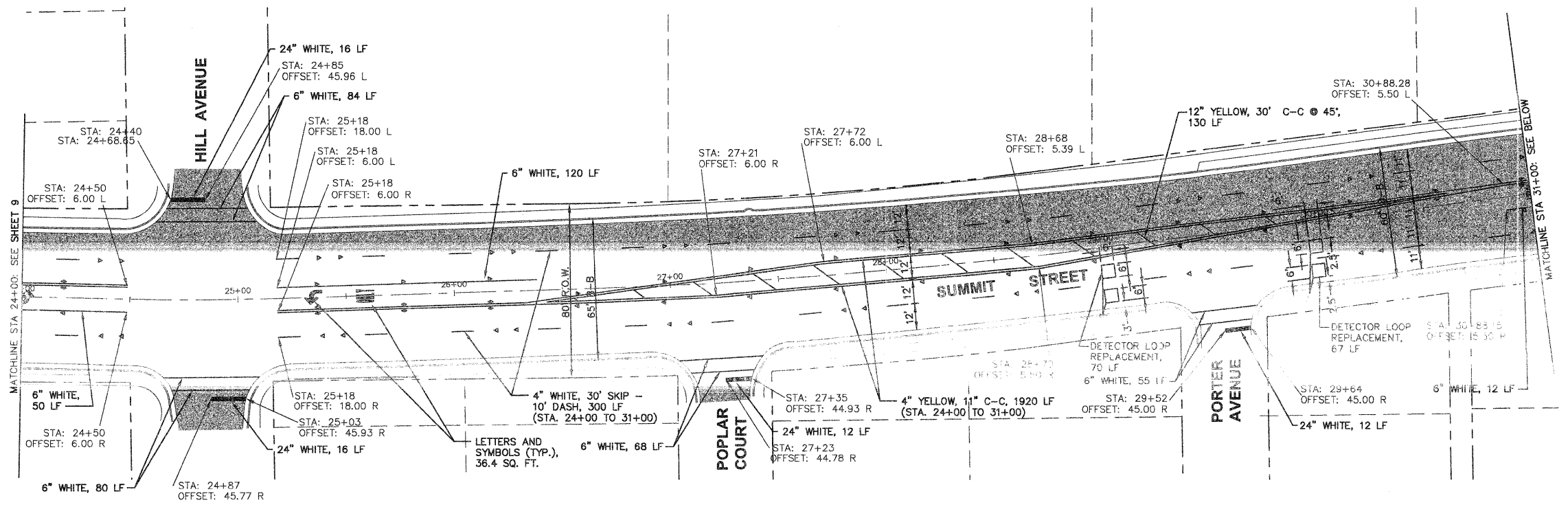
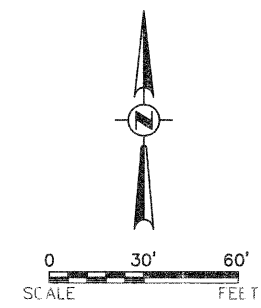
**SUMMIT STREET  
LAPP IMPROVEMENTS**

**PAVEMENT MARKING  
DETAILS**

DATE:	DECEMBER 2008
PROJECT NO:	EG0810
FILE:	EG0810-PVMT MKG
SHEET	<b>9</b> OF <b>19</b>

Path: H:\SBS\KRC\EG0810\DWG\08\_PVMT\_FINAL\_ENG\EG0810-PVMT MKG

F.A.U. RTE.	SECTION	COUNTY	TOTAL SHEETS	SHEET NO.
1320	06-00174-00-RS	KANE/COOK	19	10
CONTRACT NO. 63150				



- ▼ ONE-WAY CRYSTAL MARKER
- ▼ ONE-WAY AMBER MARKER
- ◆ TWO-WAY AMBER MARKER
- RESURFACING

NOTES:  
 1. ALL PAVEMENT MARKINGS ARE TO BE THERMOPLASTIC.  
 2. SEE SHEET 12 FOR DETECTOR LOOP DETAIL AT INTERSECTIONS.

Plotted: March 20, 2009 @ 11:29 AM By: Jim Galois - Tab: 10 Stripes - 22x34

COPYRIGHT © 2009 ENGINEERING ENTERPRISES, INC.

**Engineering Enterprises, Inc.**  
 CONSULTING ENGINEERS  
 52 Wheeler Road  
 Sugar Grove, Illinois 60554  
 630.466.6700 / www.eeiweb.com

**CITY OF ELGIN**  
**KANE COUNTY, ILLINOIS**

NO.	DATE	REVISIONS
2	03-20-09	PER IDOT COMMENTS
1	02-13-09	PER IDOT COMMENTS

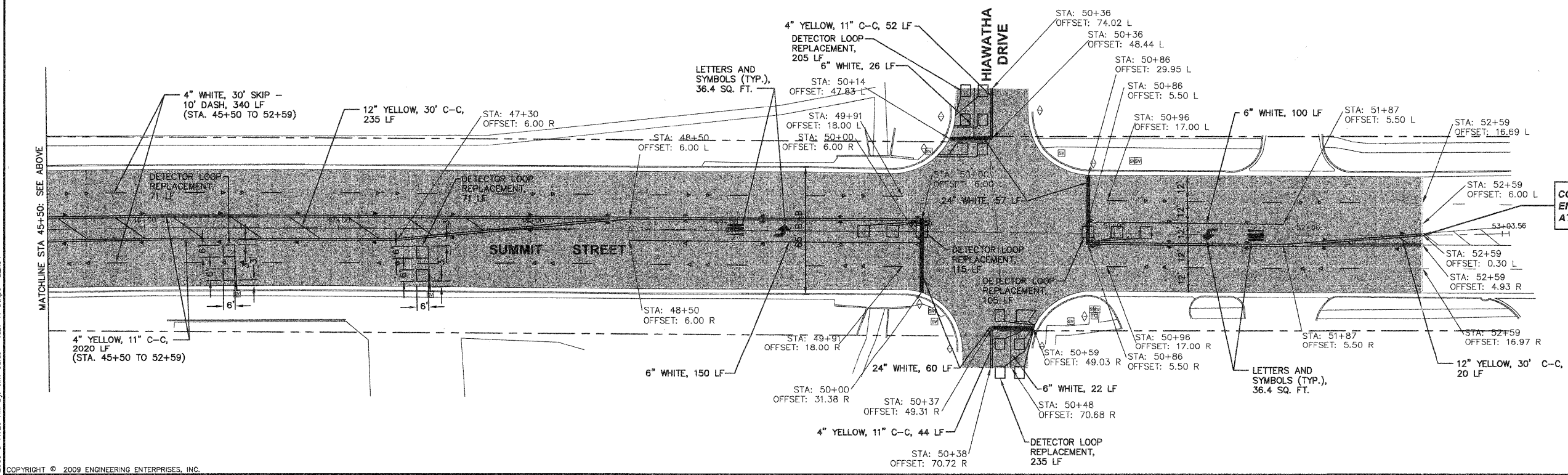
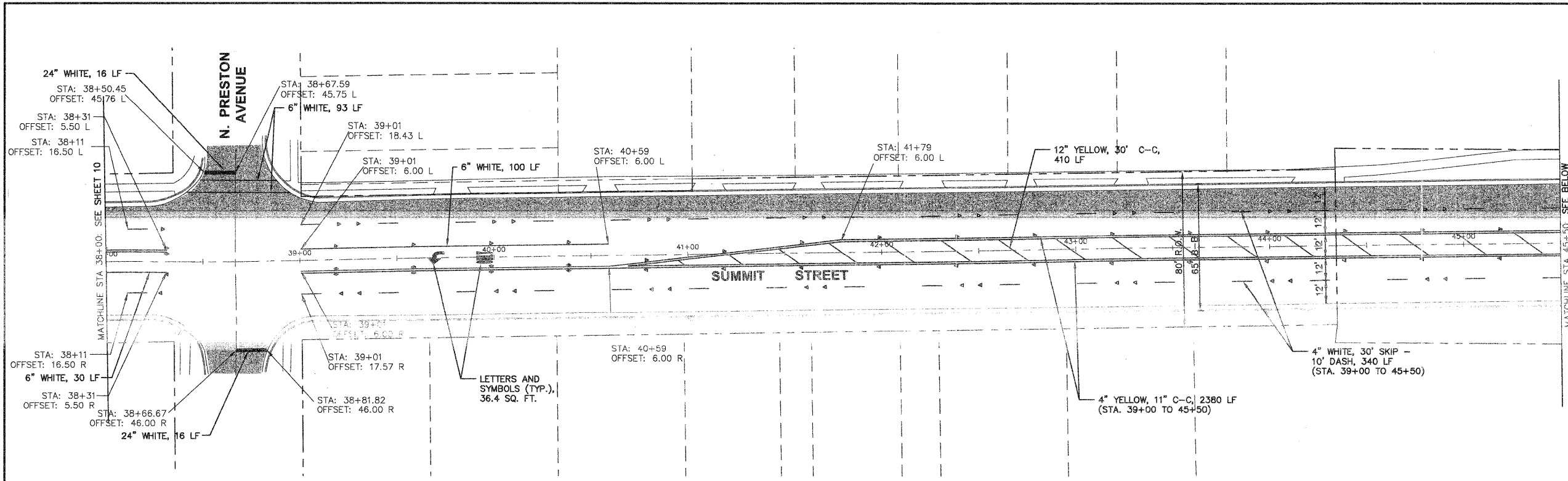
**SUMMIT STREET**  
**LAPP IMPROVEMENTS**

**PAVEMENT MARKING**  
**DETAILS**

DATE:	DECEMBER 2008
PROJECT NO.:	EG0810
FILE:	EG0810-PVMT MKG
SHEET	<b>10</b> OF <b>19</b>

Path: H:\SDSKPROJ\EG0810\DWG\LOWE\_FINAL\_EING\EG0810-PVMT MKG

F.A.U. RTE.	SECTION	COUNTY	TOTAL SHEETS	SHEET NO.
1320	06-00174-00-RS	KANE/COOK	19	11
CONTRACT NO. 63150				



**CONSTRUCTION ENDS AT STA. 52+59**

- ▽ ONE-WAY CRYSTAL MARKER
- ▽ ONE-WAY AMBER MARKER
- ◆ TWO-WAY AMBER MARKER

RESURFACING

**NOTES:**

1. ALL PAVEMENT MARKINGS ARE TO BE THERMOPLASTIC.
2. SEE SHEET 12 FOR DETECTOR LOOP DETAIL AT INTERSECTIONS.

Plotted: March 20, 2009 @ 11:29 AM By: Jim Gales - Tab: 11 Stripe- 22x34

COPYRIGHT © 2009 ENGINEERING ENTERPRISES, INC.

**Engineering Enterprises, Inc.**  
 CONSULTING ENGINEERS  
 52 Wheeler Road  
 Sugar Grove, Illinois 60554  
 630.466.6700 / www.eeiweb.com

**CITY OF ELGIN**  
 KANE COUNTY, ILLINOIS

NO.	DATE	REVISIONS
2	03-20-09	PER IDOT COMMENTS
1	02-13-09	PER IDOT COMMENTS

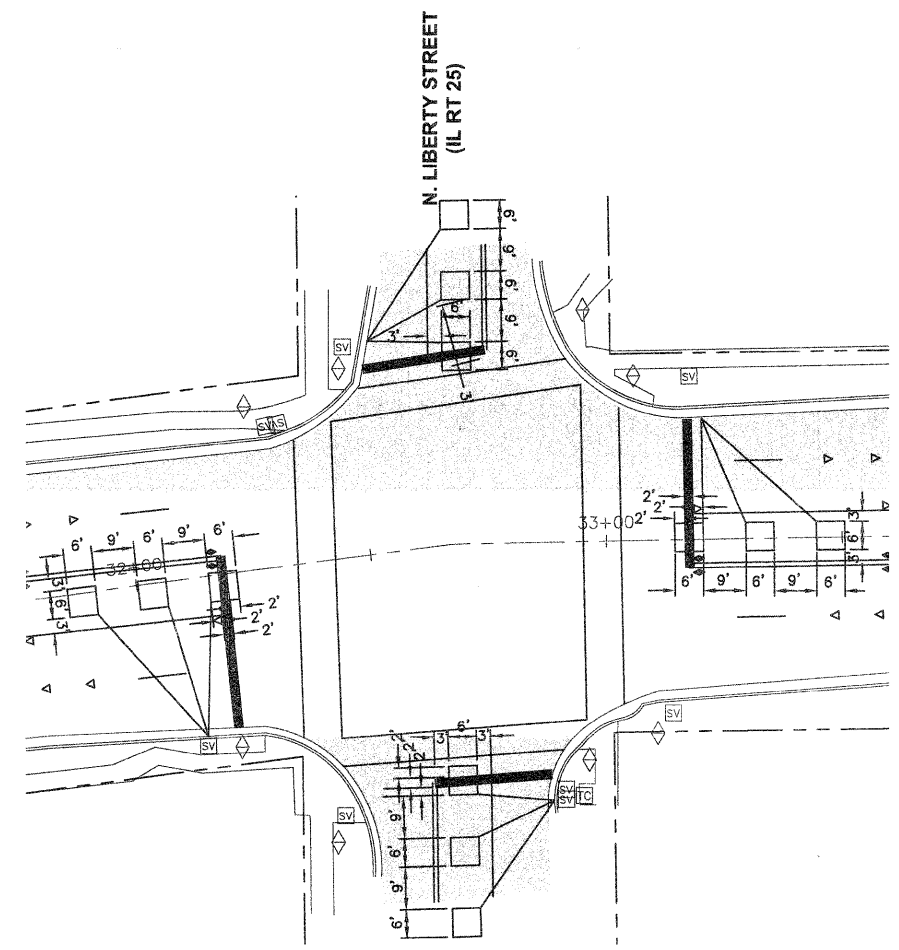
**SUMMIT STREET  
 LAPP IMPROVEMENTS**

**PAVEMENT MARKING  
 DETAILS**

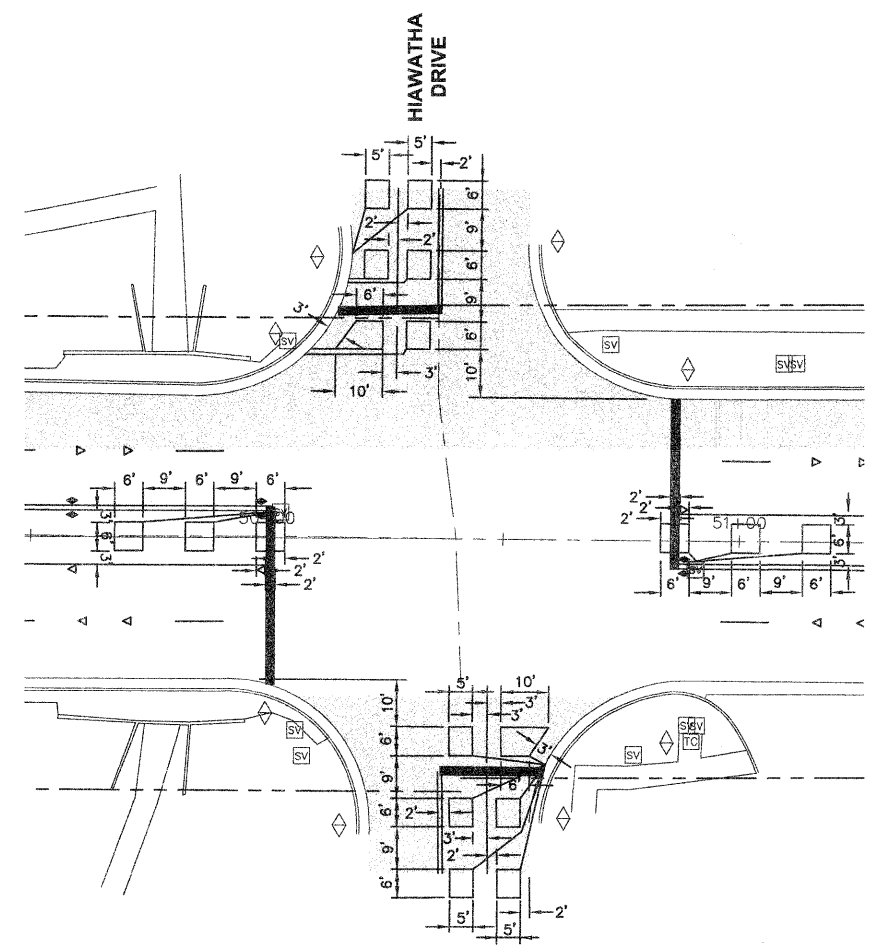
DATE:	DECEMBER 2008
PROJECT NO.:	EG0810
FILE:	EG0810-PVMT MKG
SHEET	<b>11</b> OF <b>19</b>

Path: H:\SDS\PROJ\EG0810\DWG\VMT\_FINAL\EG0810-PVMT.MKG

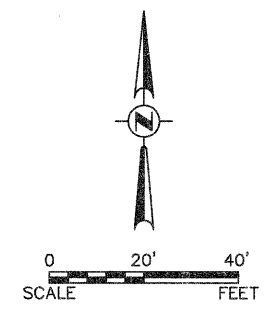
F.A.U. RTE.	SECTION	COUNTY	TOTAL SHEETS	SHEET NO.
1320	06-00174-00-RS	KANE/COOK	19	12
CONTRACT NO. 63150				



INTERSECTION AT SUMMIT STREET AND  
N. LIBERTY STREET (IL RT 25)



INTERSECTION AT SUMMIT STREET AND HIAWATHA DRIVE



- ▼ ONE-WAY CRYSTAL MARKER
- ▼ ONE-WAY AMBER MARKER
- ◆ TWO-WAY AMBER MARKER
- RESURFACING

NOTES:  
1. ALL PAVEMENT MARKINGS ARE TO BE THERMOPLASTIC

Plotted: March 20, 2009 @ 11:30 AM By: Jim Gales - Tab: 12 Stripe- 22x34

COPYRIGHT © 2009 ENGINEERING ENTERPRISES, INC.

**Engineering Enterprises, Inc.**  
CONSULTING ENGINEERS  
52 Wheeler Road  
Sugar Grove, Illinois 60554  
630.466.6700 / www.eeiweb.com

**CITY OF ELGIN**  
KANE COUNTY, ILLINOIS

NO.	DATE	REVISIONS
2	03-20-09	PER IDOT COMMENTS
1	02-13-09	PER IDOT COMMENTS

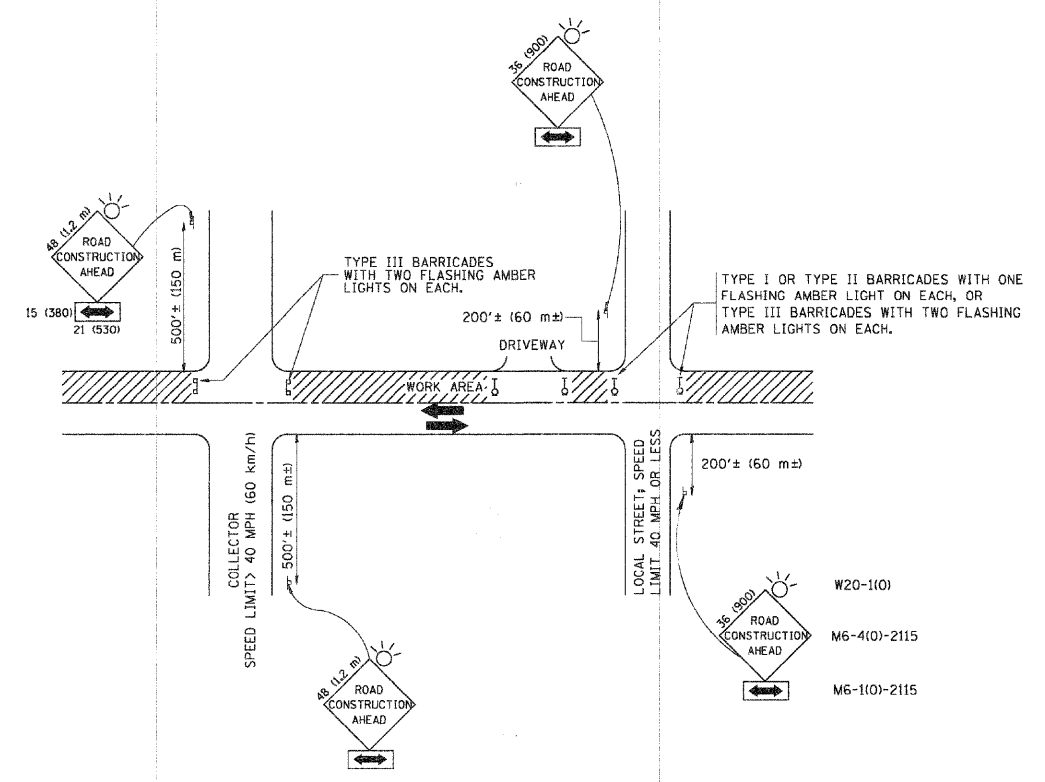
**SUMMIT STREET**  
**LAPP IMPROVEMENTS**

**DETECTOR LOOP**  
**AT INTERSECTION DETAILS**

DATE:	DECEMBER 2008
PROJECT NO:	EG0810
FILE:	EG0810-PVMT MKG
SHEET	<b>12</b> OF <b>19</b>

Path: H:\S\B\K\PROJ\EG0810\DWG\DWG\_FINAL\ENG\EG0810-PVMT MKG

F.A.U. RTE.	SECTION	COUNTY	TOTAL SHEETS	SHEET NO.
1320	08-00174-00-RS	KANE/COOK	19	13
CONTRACT NO. 63150				



TRAFFIC CONTROL AND PROTECTION FOR SIDE ROADS, INTERSECTIONS, AND DRIVEWAYS

NOTES:

- A. FOR NO LANE RESTRICTION ON THE SIDE ROAD OR DRIVEWAYS:
  1. SIDE ROAD WITH A SPEED LIMIT OF 40 MPH (60 km/h) OR LESS AS SHOWN ON THE DRAWING AND AS DIRECTED BY THE ENGINEER:
    - a) ONE ROAD CONSTRUCTION AHEAD SIGN 36 x 36 (900x900) WITH A FLASHER AND FLAG MOUNTED ON IT APPROXIMATELY 200' (60 m) IN ADVANCE OF THE MAIN ROUTE.
    - b) THE CLOSED PORTION OF THE MAIN ROUTE SHALL BE PROTECTED BY BLOCKING WITH TYPE I, TYPE II OR TYPE III BARRICADES, 1/3 OF THE CROSS SECTION OF THE CLOSED PORTION.
  2. SIDE ROAD WITH A SPEED LIMIT GREATER THAN 40 MPH (60 km/h) AS SHOWN ON THE DRAWING AND AS DIRECTED BY THE ENGINEER:
    - a) ONE ROAD CONSTRUCTION AHEAD SIGN 48 x 48 (1.2 m x 1.2 m) WITH A FLASHER MOUNTED ON IT APPROXIMATELY 500' (150 m) IN ADVANCE OF THE MAIN ROUTE.
    - b) THE CLOSED PORTION OF THE MAIN ROUTE SHALL BE PROTECTED BY BLOCKING WITH TYPE III BARRICADES, 1/2 OF THE CROSS SECTION OF THE CLOSED PORTION.
  3. WHEN THE SIDE ROAD LIES BETWEEN THE BEGINNING OF THE MAINLINE SIGNING AND THE WORK ZONE, A SINGLE HEADED ARROW (M6-1) SHALL BE USED IN LIEU OF THE DOUBLE HEADED ARROW (M6-4).
- B. FOR A LANE CLOSURE ON A SIDE ROAD OR DRIVEWAY:
 

USE APPLICABLE PORTIONS OF THE TYPICAL APPLICATION OF TRAFFIC CONTROL DEVICES (STD. 701501, STD. 701606 OR THE APPROPRIATE STANDARD). THE SPACING OF SIGNS AND BARRICADES SHALL BE ADJUSTED FOR FIELD CONDITIONS AS DIRECTED BY THE ENGINEER. THE DIRECTIONAL ARROW SHALL BE COVERED OR REMOVED WHEN NO LONGER CONSISTENT WITH THE SIDE ROAD LANE CLOSURE.
- C. ADVANCE WARNING SIGNS ARE TO BE OMITTED ON DRIVEWAY UNLESS OTHERWISE NOTED.
- D. THE TRAFFIC CONTROL AND PROTECTION FOR SIDE ROADS, INTERSECTIONS, AND DRIVEWAYS SHALL BE INCIDENTAL TO THE COST OF SPECIFIED TRAFFIC CONTROL STANDARDS OR ITEMS.

All dimensions are in millimeters (inches) unless otherwise shown.

FILE NAME = W:\dot\stsd\22x34\vc12.dgn	USER NAME = gnglmarist	DESIGNED - LHA	REVISED - J. OBERLE 10-18-95
PLOT SCALE = 50:826 "/ IN.	CHECKED -	DRAWN -	REVISED - A. HOUSEN 03-06-96
PLOT DATE = 1/1/2008	DATE - 06-89	REVISIONS	REVISED - A. HOUSEN 10-15-96
			REVISED - T. RAMMACHER 01-06-00

STATE OF ILLINOIS  
DEPARTMENT OF TRANSPORTATION

F.A.U. RTE.	SECTION	COUNTY	TOTAL SHEETS	SHEET NO.
	TC-10			
CONTRACT NO.				
SCALE: NONE SHEET NO. 1 OF 1 SHEETS STA. TO STA.				
FED. ROAD DIST. NO. 1 (ILLINOIS) FED. AID PROJECT				

Plotfile: March 20, 2009 @ 11:01 AM By: Jim Galus - Tab: 13 TC-10 22x34

COPYRIGHT © 2009 ENGINEERING ENTERPRISES, INC.

**Engineering Enterprises, Inc.**  
CONSULTING ENGINEERS  
52 Wheeler Road  
Sugar Grove, Illinois 60554  
630.466.6700 / www.eeiweb.com

**CITY OF ELGIN**  
KANE COUNTY, ILLINOIS

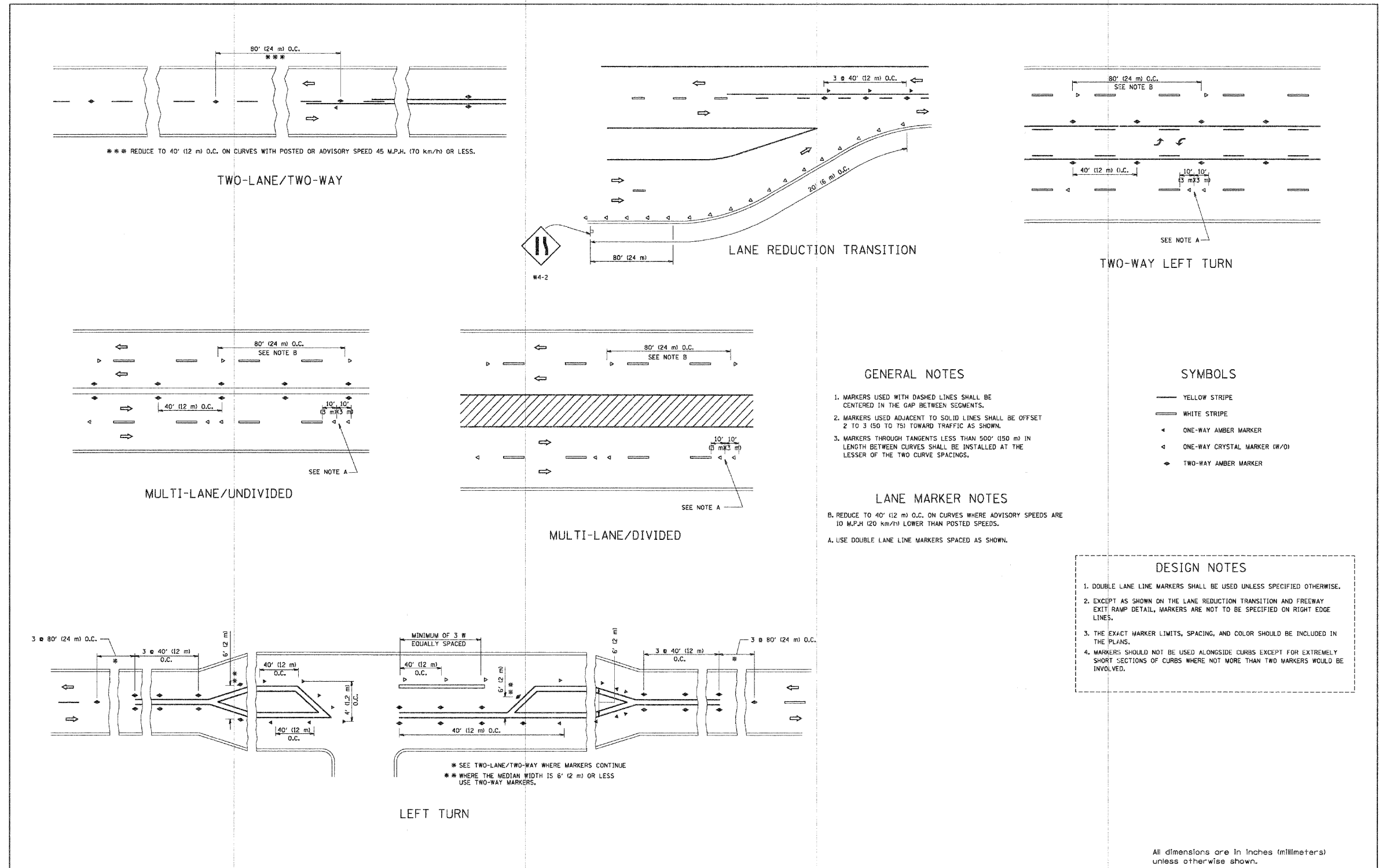
NO.	DATE	REVISIONS
2	03-20-09	PER IDOT COMMENTS
1	02-13-08	PER IDOT COMMENTS

**SUMMIT STREET**  
LAPP IMPROVEMENTS

**TRAFFIC CONTROL AND PROTECTION**  
FOR SIDE ROADS, INTERSECTIONS,  
AND DRIVEWAYS

DATE:	DECEMBER 2008
PROJECT NO.:	EG0810
FILE:	EG0810-CVR
SHEET	13 OF 19

Path: H:\SDSKPROJ\EG0810\DWG\DWG\_FINAL\ENG\EG0810-CVR



- GENERAL NOTES**
- MARKERS USED WITH DASHED LINES SHALL BE CENTERED IN THE GAP BETWEEN SEGMENTS.
  - MARKERS USED ADJACENT TO SOLID LINES SHALL BE OFFSET 2 TO 3 (50 TO 75) TOWARD TRAFFIC AS SHOWN.
  - MARKERS THROUGH TANGENTS LESS THAN 500' (150 m) IN LENGTH BETWEEN CURVES SHALL BE INSTALLED AT THE LESSER OF THE TWO CURVE SPACINGS.
- SYMBOLS**
- YELLOW STRIPE
  - WHITE STRIPE
  - ONE-WAY AMBER MARKER
  - ONE-WAY CRYSTAL MARKER (W/O)
  - TWO-WAY AMBER MARKER

- LANE MARKER NOTES**
- B. REDUCE TO 40' (12 m) O.C. ON CURVES WHERE ADVISORY SPEEDS ARE 10 M.P.H. (20 km/h) LOWER THAN POSTED SPEEDS.
- A. USE DOUBLE LANE LINE MARKERS SPACED AS SHOWN.

- DESIGN NOTES**
- DOUBLE LANE LINE MARKERS SHALL BE USED UNLESS SPECIFIED OTHERWISE.
  - EXCEPT AS SHOWN ON THE LANE REDUCTION TRANSITION AND FREEWAY EXIT RAMP DETAIL, MARKERS ARE NOT TO BE SPECIFIED ON RIGHT EDGE LINES.
  - THE EXACT MARKER LIMITS, SPACING, AND COLOR SHOULD BE INCLUDED IN THE PLANS.
  - MARKERS SHOULD NOT BE USED ALONGSIDE CURBS EXCEPT FOR EXTREMELY SHORT SECTIONS OF CURBS WHERE NOT MORE THAN TWO MARKERS WOULD BE INVOLVED.

All dimensions are in inches (millimeters) unless otherwise shown.

FILE NAME = W:\data\22x34\1011.dgn	USER NAME = gaglianob	DESIGNED - -	REVISED - -T. RAMMACHER 09-19-94	<b>STATE OF ILLINOIS DEPARTMENT OF TRANSPORTATION</b>	<b>TYPICAL APPLICATIONS RAISED REFLECTIVE PAVEMENT MARKERS (SNOW-PLOW RESISTANT)</b>				F.A.U. RTE.	SECTION	COUNTY	TOTAL SHEETS	SHEET NO.
PLOT SCALE = 5/8" = 1'	CHECKED - -	REVISED - -T. RAMMACHER 03-12-99	SCALE: NONE		SHEET NO. 1	OF 1	SHEETS	STA.	TO STA.	TC-11 CONTRACT NO.			
PLOT DATE = 1/4/2008	DATE - -	REVISED - -					FED. ROAD DIST. NO. 1 ILLINOIS FED. AID PROJECT						

Plotted: March 20, 2009 @ 11:01 AM By: Jim Gales - Tab: 14 TC-11 22x34

**Engineering Enterprises, Inc.**  
 CONSULTING ENGINEERS  
 52 Wheeler Road  
 Sugar Grove, Illinois 60554  
 630.466.6700 / www.eelweb.com

**CITY OF ELGIN  
KANE COUNTY, ILLINOIS**

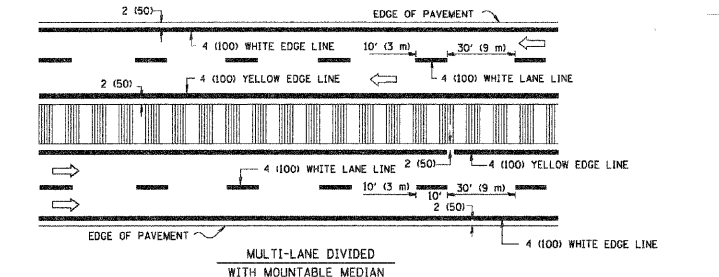
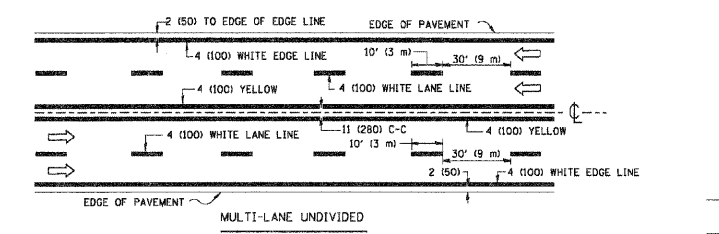
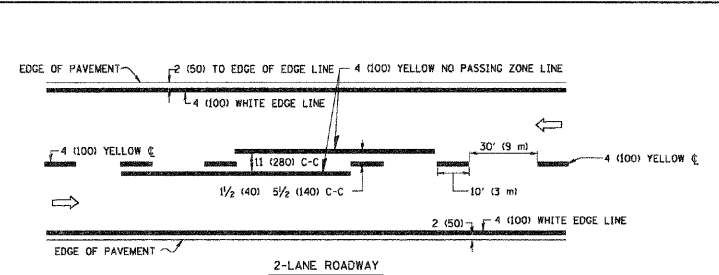
NO.	DATE	REVISIONS
2	03-20-09	PER IDOT COMMENTS
1	02-13-09	PER IDOT COMMENTS

**SUMMIT STREET  
LAPP IMPROVEMENTS**

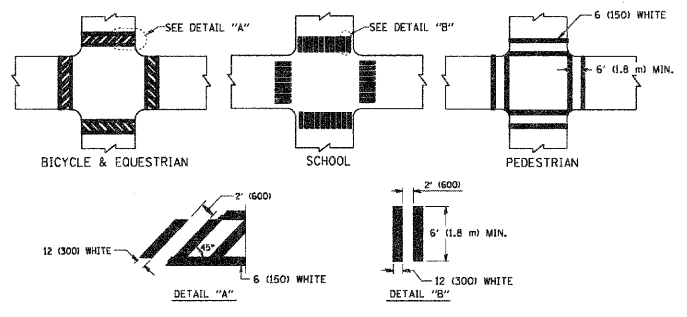
**TYPICAL APPLICATIONS  
RAISED REFLECTIVE PAVEMENT  
MARKERS (SNOW-PLOW RESISTANT)**

DATE:	DECEMBER 2008
PROJECT NO.:	EG0810
FILE:	EG0810-CVR
SHEET	14 OF 19

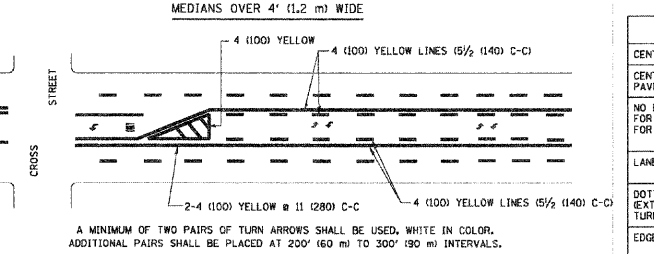
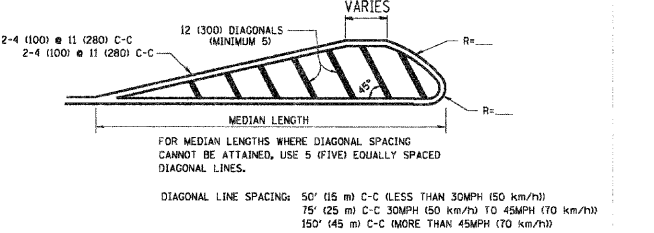
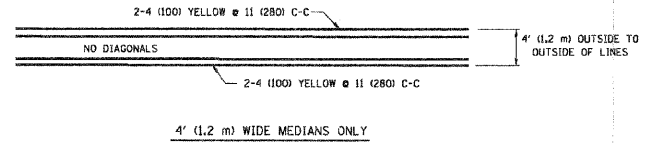
Path: H:\SDSKPROJ\EG0810\DWG\FINAL\_ENG\EG0810-CVR



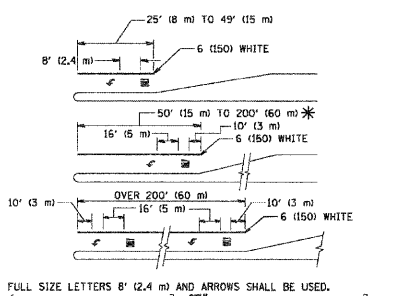
TYPICAL LANE AND EDGE LINE MARKING



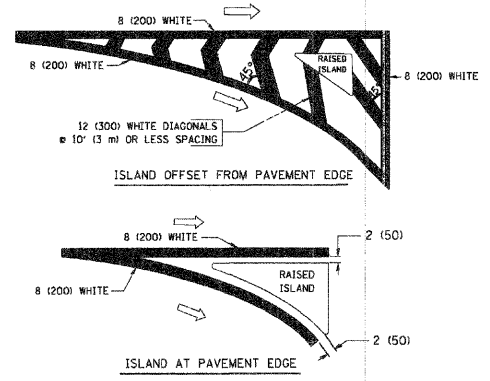
TYPICAL CROSSWALK MARKING



TYPICAL PAINTED MEDIAN MARKING



TYPICAL TURN LANE MARKING



TYPICAL ISLAND MARKING

TYPE OF MARKING	WIDTH OF LINE	PATTERN	COLOR	SPACING / REMARKS
CENTERLINE ON 2 LANE PAVEMENT	4 (100)	SKIP-DASH	YELLOW	10' (3 m) LINE WITH 30' (9 m) SPACE
CENTERLINE ON MULTI-LANE UNDIVIDED PAVEMENT	2 @ 4 (100)	SOLID	YELLOW	11 (280) C-C
NO PASSING ZONE LINES FOR BOTH DIRECTIONS	4 (100) 2 @ 4 (100)	SOLID SOLID	YELLOW YELLOW	5 1/2 (140) C-C FROM SKIP-DASH CENTERLINE 11 (280) C-C OMIT SKIP-DASH CENTERLINE BETWEEN
LANE LINES	4 (100) 5 (125) ON FREEWAYS	SKIP-DASH SKIP-DASH	WHITE WHITE	10' (3 m) LINE WITH 30' (9 m) SPACE
DOTTED LINES (EXTENSIONS OF CENTER, LANE OR TURN LANE MARKINGS)	SAME AS LINE BEING EXTENDED	SKIP-DASH	SAME AS LINE BEING EXTENDED	2' (600) LINE WITH 6' (1.8 m) SPACE
EDGE LINES	4 (100)	SOLID	YELLOW-LEFT WHITE-RIGHT	OUTLINE MOUNTABLE MEDIANS IN YELLOW; EDGE LINES ARE NOT USED NEXT TO BARRIER CURB
TURN LANE MARKINGS	6 (150) LINE; FULL SIZE LETTERS & SYMBOLS (8' x 2.4m)	SOLID	WHITE	SEE TYPICAL TURN LANE MARKING DETAIL
TWO WAY LEFT TURN MARKING	2 @ 4 (100) EACH DIRECTION 8' (2.4m) LEFT ARROW	SKIP-DASH AND SOLID IN PAIRS	YELLOW WHITE	10' (3 m) LINE WITH 30' (9 m) SPACE FOR SKIP-DASH; 5 1/2 (140) C-C BETWEEN SOLID LINE AND SKIP-DASH LINE SEE TYPICAL TWO-WAY LEFT TURN MARKING DETAIL
CROSSWALK LINES (PEDESTRIAN) A. DIAGONALS (BIKE & EQUESTRIAN) B. LONGITUDINAL BARS (SCHOOL)	2 @ 6 (150) 12 (300) @ 45° 12 (300) @ 90°	SOLID SOLID SOLID	WHITE WHITE WHITE	NOT LESS THAN 6' (1.8 m) APART 2' (600) APART 7' (2100) APART SEE TYPICAL CROSSWALK MARKING DETAILS.
STOP LINES	24 (600)	SOLID	WHITE	PLACE 4' (1.2 m) IN ADVANCE OF AND PARALLEL TO CROSSWALK, IF PRESENT. OTHERWISE, PLACE AT DESIRED STOPPING POINT; PARALLEL TO CROSSROAD CENTERLINE, WHERE POSSIBLE.
PAINTED MEDIANS	2 @ 4 (100) WITH 12 (300) DIAGONALS @ 45° NO DIAGONALS USED FOR 4' (1.2 m) WIDE MEDIANS	SOLID	YELLOW: TWO WAY TRAFFIC WHITE: ONE WAY TRAFFIC	11 (280) C-C FOR THE DOUBLE LINE SEE TYPICAL PAINTED MEDIAN MARKING.
CORE MARKING AND CHANNELIZING LINES	8 (200) WITH 12 (300) DIAGONALS @ 45°	SOLID	WHITE	DIAGONALS: 15' (4.5 m) C-C (LESS THAN 30MPH (50 km/h)) 20' (6 m) C-C (30MPH (50 km/h) TO 45MPH (70 km/h)) 30' (9 m) C-C (OVER 45MPH (70 km/h))
RAILROAD CROSSING	24 (600) TRANSVERSE LINES; "RR" IS 6' (1.8 m) LETTERS IS 16 (400) LINE FOR "X"	SOLID	WHITE	SEE STATE STANDARD 780001 AREA OF: "R"=3.6 SQ. FT. (0.33 m²) EACH "X"=54.0 SQ. FT. (5.0 m²)
SHOULDER DIAGONALS	12 (300) @ 45°	SOLID	WHITE - RIGHT YELLOW - LEFT	50' (15 m) C-C (LESS THAN 30MPH (50 km/h)) 75' (23 m) C-C (30 MPH (50 km/h) TO 45MPH (70 km/h)) 150' (45 m) C-C (OVER 45MPH (70 km/h))

FOR FURTHER DETAILS ON PAVEMENT MARKING REFER TO STANDARD SPECIFICATIONS FOR ROAD AND BRIDGE CONSTRUCTION AND STATE STANDARD 780001.

All dimensions are in inches (millimeters) unless otherwise shown.

FILE NAME: W:\projects\22-24\13\13.dgn	USER NAME: gajlmarab	DESIGNED: EVERS	REVISED: -T. RAMMACHER 10-27-94
PLOT SCALE: 50.000' / IN.	CHECKED: -A. HOUSEH 10-09-96	DRAWN: -A. HOUSEH 10-09-96	REVISED: -A. HOUSEH 10-17-96
PLOT DATE: 1/4/2008	DATE: 03-19-90	REVISED: -T. RAMMACHER 01-06-00	

STATE OF ILLINOIS  
DEPARTMENT OF TRANSPORTATION

DISTRICT ONE TYPICAL PAVEMENT MARKINGS		F.A.U. RTE.	SECTION	COUNTY	TOTAL SHEETS	SHEET NO.
SCALE: NONE	SHEET NO. 1 OF 1 SHEETS	STA.	TO STA.	TC-13 CONTRACT NO.		

PlotDate: March 20, 2009 @ 11:01 AM By: Jim Galas - Tab: 13 TC-13 22x34

COPYRIGHT © 2009 ENGINEERING ENTERPRISES, INC.

**Engineering Enterprises, Inc.**  
CONSULTING ENGINEERS  
52 Wheeler Road  
Sugar Grove, Illinois 60554  
630.466.6700 / www.eelweb.com

**CITY OF ELGIN**  
KANE COUNTY, ILLINOIS

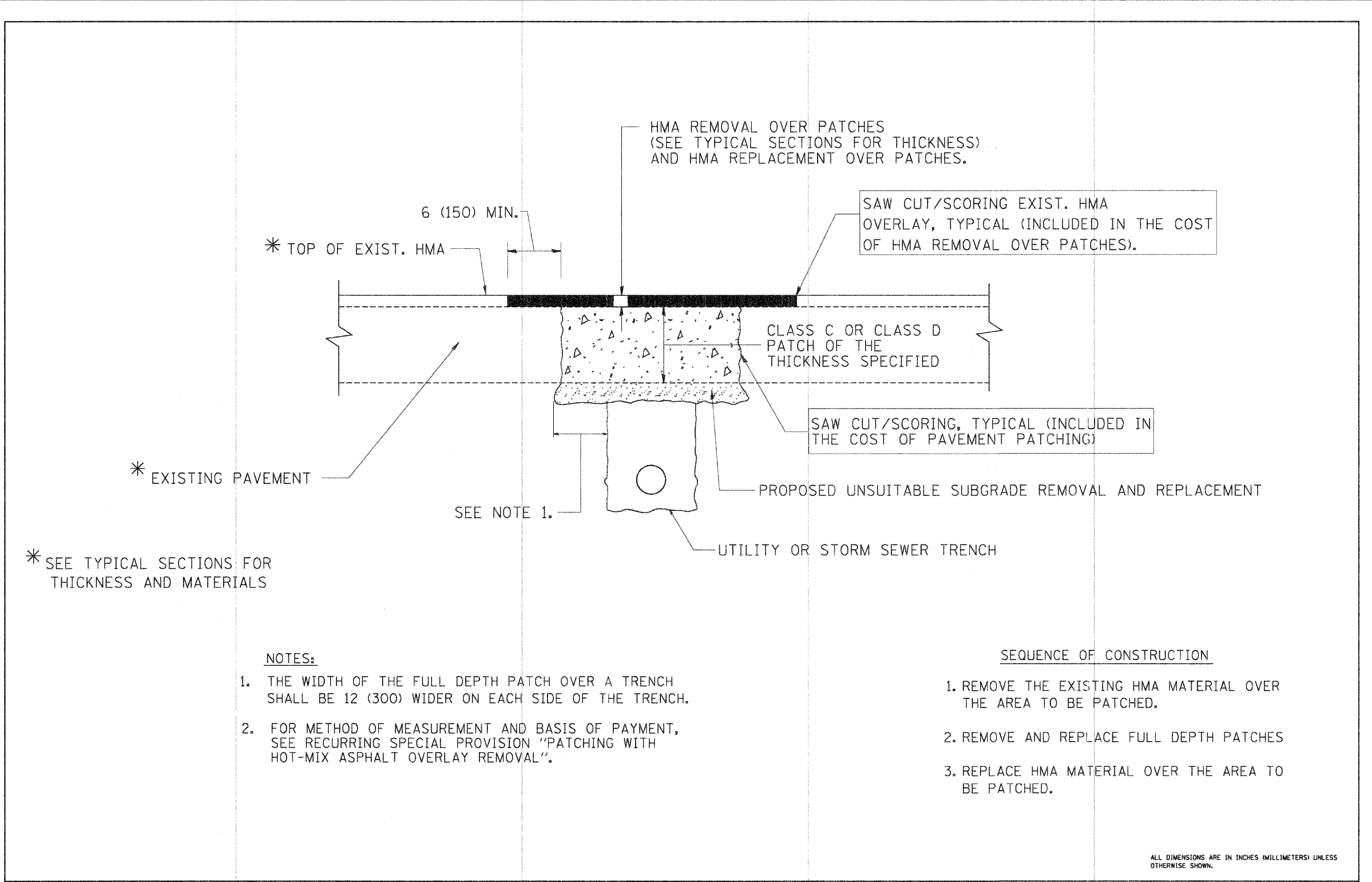
NO.	DATE	REVISIONS
2	03-20-09	PER IDOT COMMENTS
1	02-13-09	PER IDOT COMMENTS

**SUMMIT STREET**  
LAPP IMPROVEMENTS

**DISTRICT ONE -**  
TYPICAL PAVEMENT MARKINGS

DATE: DECEMBER 2008  
PROJECT NO: EG0810  
FILE: EG0810-CVR  
SHEET **15** OF **19**

Path: H:\SOS\SPROV\EG0810\DWG\FINAL\_ENG\EG0810-CVR



\* EXISTING PAVEMENT

\* SEE TYPICAL SECTIONS FOR THICKNESS AND MATERIALS

**NOTES:**

1. THE WIDTH OF THE FULL DEPTH PATCH OVER A TRENCH SHALL BE 12 (300) WIDER ON EACH SIDE OF THE TRENCH.
2. FOR METHOD OF MEASUREMENT AND BASIS OF PAYMENT, SEE RECURRING SPECIAL PROVISION "PATCHING WITH HOT-MIX ASPHALT OVERLAY REMOVAL".

**SEQUENCE OF CONSTRUCTION**

1. REMOVE THE EXISTING HMA MATERIAL OVER THE AREA TO BE PATCHED.
2. REMOVE AND REPLACE FULL DEPTH PATCHES
3. REPLACE HMA MATERIAL OVER THE AREA TO BE PATCHED.

ALL DIMENSIONS ARE IN INCHES (MILLIMETERS) UNLESS OTHERWISE SHOWN.

FILE NAME = W:\data\22x34\bd22.dgn	USER NAME = gngkremobt	DESIGNED - R. SHAH	REVISED - A. ABBAS 01-20-98
		DRAWN -	REVISED - A. ABBAS 04-27-98
		CHECKED -	REVISED - R. BORO 01-01-07
		DATE - 10-25-94	REVISED - R. BORO 09-04-07

STATE OF ILLINOIS  
DEPARTMENT OF TRANSPORTATION

PAVEMENT PATCHING FOR HMA SURFACED PAVEMENT			
SCALE: NONE	SHEET NO. 1 OF 1 SHEETS	STA.	TO STA.

F.A.U. RTE.	SECTION	COUNTY	TOTAL SHEETS	SHEET NO.
	BD400-04 (BD-22)			
CONTRACT NO.				
FED. ROAD DIST. NO.   ILLINOIS FED. AID PROJECT				

Plotted: March 20, 2009 @ 11:01 AM By: Jim Galus - Tab: 16 BD-22 22x34

COPYRIGHT © 2009 ENGINEERING ENTERPRISES, INC.

**Engineering Enterprises, Inc.**  
CONSULTING ENGINEERS  
52 Wheeler Road  
Sugar Grove, Illinois 60554  
630.466.6700 / www.eeiweb.com

**CITY OF ELGIN**  
KANE COUNTY, ILLINOIS

NO.	DATE	REVISIONS
2	03-20-09	PER IDOT COMMENTS
1	02-13-09	PER IDOT COMMENTS

**SUMMIT STREET**  
LAPP IMPROVEMENTS

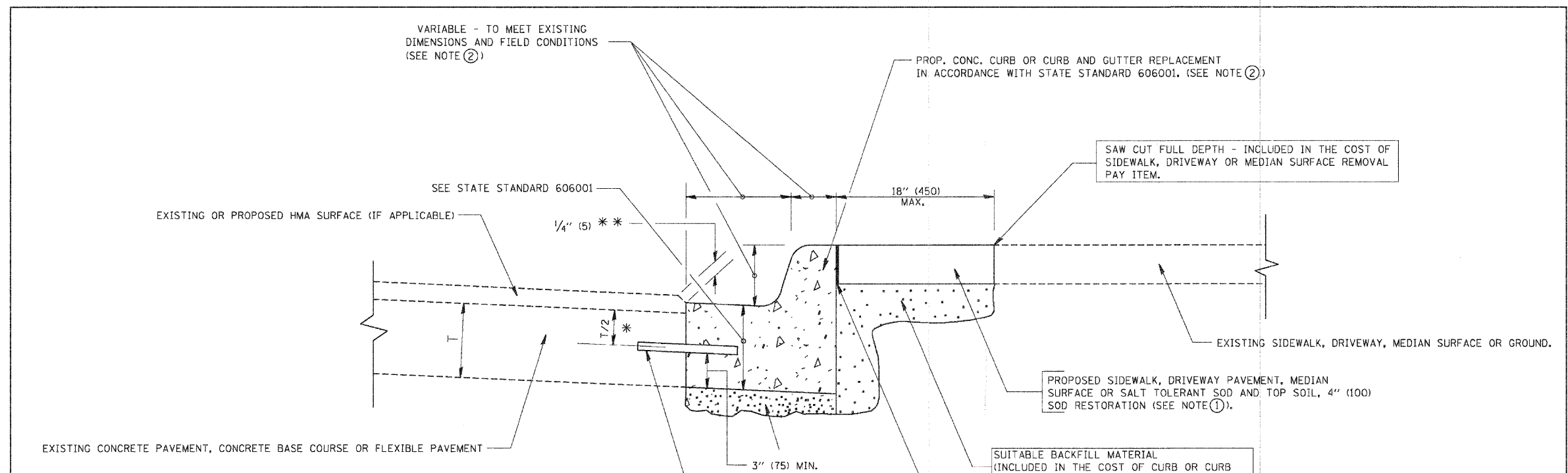
**PAVEMENT PATCHING FOR**  
HMA SURFACED PAVEMENT

DATE:	DECEMBER 2008
PROJECT NO:	EG0810
FILE:	EG0810-CVR
SHEET	16 OF 19

Path: H:\S\SR\PROJ\EG0810\DWG\FINAL\_ENG\EG0810-CVR



F.A.U. RTE.	SECTION	COUNTY	TOTAL SHEETS	SHEET NO.
1320	08-00174-00-RS	KANE/COOK	19	17
CONTRACT NO. 63150				



- \* 3" (75) MINIMUM FROM TOP AND BOTTOM OF THE CONCRETE PAVEMENT OR BASE COURSE.
- \*\* IF THE FINAL SURFACE OF THE PAVEMENT IS CONCRETE, THE GUTTER IS TO BE FLUSH WITH THE PAVEMENT.

NOTE: ① SIDEWALK, DRIVEWAY PAVEMENT OR MEDIAN SURFACE SHALL BE SIMILAR TO THE MATERIAL BEING REMOVED AND WILL BE PAID FOR SEPARATELY.

SALT TOLERANT SOD AND TOP SOIL, 4" (100) RESTORATION WILL NOT BE PAID FOR SEPARATELY, BUT SHALL BE INCLUDED IN THE COST OF CURB OR CURB AND GUTTER REMOVAL AND REPLACEMENT.

- ② CURB OR CURB AND GUTTER REPLACEMENT SHALL MATCH THE SHAPE OF THE EXISTING CURB OR CURB AND GUTTER UNLESS OTHERWISE SPECIFIED.
- ③ FOR CURB OR CURB AND GUTTER REMOVAL AND REPLACEMENT ADJACENT TO FLEXIBLE PAVEMENT DELETE EPOXY COATED TIE BARS.
- ④ LONGITUDINAL BARS, IF ENCOUNTERED IN THE EXISTING CURB OR CURB AND GUTTER, ARE NOT TO BE REPLACED. CUTTING AND REMOVING LONGITUDINAL BARS SHALL BE INCLUDED IN THE COST OF CURB OR CURB AND GUTTER REMOVAL AND REPLACEMENT.
- ⑤ THE COST OF HMA SURFACE REMOVAL IN THE EXISTING GUTTER FLAG SHALL BE INCLUDED IN THE COST OF THE CURB AND GUTTER REMOVAL AND REPLACEMENT.
- ⑥ THE REMOVAL AND REPLACEMENT OF THE EXISTING CURB OR CURB AND GUTTER SHALL BE DONE IN ACCORDANCE WITH THE APPLICABLE PORTIONS OF SECTION 440 AND 606 OF THE STANDARD SPECIFICATIONS.
- ⑦ THE LOCATIONS OF REMOVAL AND REPLACEMENT OF EXISTING CURB OR CURB AND GUTTER SHALL BE DETERMINED BY THE RESIDENT ENGINEER AT THE TIME OF CONSTRUCTION.

UNSUITABLE SUB-BASE MATERIAL TO BE REMOVED, IF DIRECTED BY THE ENGINEER, SHALL BE REPLACED WITH EITHER SUB-BASE GRANULAR MATERIAL, TYPE B OR ADDITIONAL THICKNESS OF CONCRETE.

REMOVAL AND REPLACEMENT 4" (100) OR LESS IS INCLUDED IN THE COST OF CURB OR CURB AND GUTTER REMOVAL AND REPLACEMENT.

REMOVAL AND REPLACEMENT IN EXCESS OF 4" (100) WILL BE PAID FOR IN ACCORDANCE WITH ARTICLE 109.04 OF THE STANDARD SPECIFICATIONS.

PROPOSED #6 (20) EPOXY COATED TIE BARS 24" (600) LONG AT 24" (600) CENTERS WILL NOT BE PAID FOR SEPARATELY. DELETE EPOXY COATED TIE BARS IF EXISTING TIE BARS ARE USABLE AS DETERMINED BY THE ENGINEER. (SEE NOTE ③).

**BASIS OF PAYMENT:**  
THIS WORK WILL BE PAID FOR AT THE CONTRACT UNIT PRICE PER FOOT (METER) FOR "CURB REMOVAL AND REPLACEMENT" OR "COMBINATION CONCRETE CURB AND GUTTER REMOVAL AND REPLACEMENT".

## CURB OR CURB AND GUTTER REMOVAL AND REPLACEMENT

ALL DIMENSIONS ARE IN INCHES (MILLIMETERS) UNLESS OTHERWISE SHOWN.

FILE NAME s:\dvs\elg\22x34\bd24.dgn	USER NAME ggglivnab	DESIGNED - A. HOUSEH	REVISED - R. SHAH 10-03-96	<b>STATE OF ILLINOIS DEPARTMENT OF TRANSPORTATION</b>	<b>CURB OR CURB AND GUTTER REMOVAL AND REPLACEMENT</b>	F.A.U. RTE.	SECTION	COUNTY	TOTAL SHEETS	SHEET NO.
PLOT SCALE = 5/8" = 1' IN.	CHECKED -	DATE - 03-11-94	REVISED - A. ABRAS 03-21-97	SCALE: NONE	SHEET NO. 1 OF 1 SHEETS STA. TO STA.	BD600-06 (BD-24) CONTRACT NO.				
PLOT DATE = 1/4/2008			REVISED - M. GOMEZ 01-22-01			FED. ROAD DIST. NO. 1 ILLINOIS FED. AID PROJECT				
			REVISED - R. BORO 01-01-07							

Plotted: March 20, 2008 @ 11:01 AM By: Jim Golus - Tab: 17 BD-24 22x34

COPYRIGHT © 2008 ENGINEERING ENTERPRISES, INC.

**Engineering Enterprises, Inc.**  
CONSULTING ENGINEERS  
52 Wheeler Road  
Sugar Grove, Illinois 60554  
630.466.6700 / www.eeiweb.com

**CITY OF ELGIN**  
KANE COUNTY, ILLINOIS

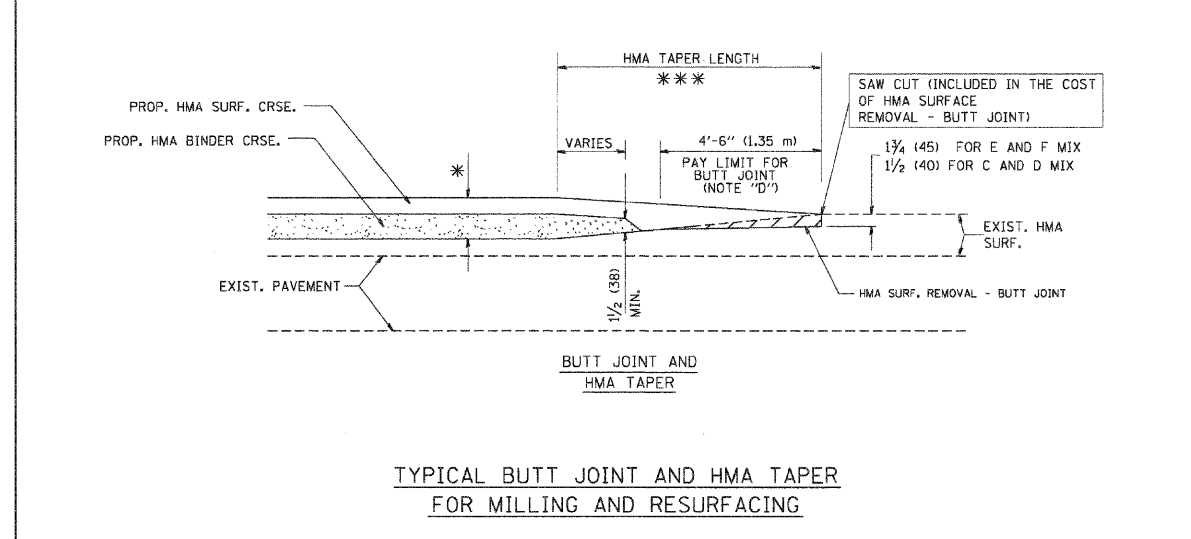
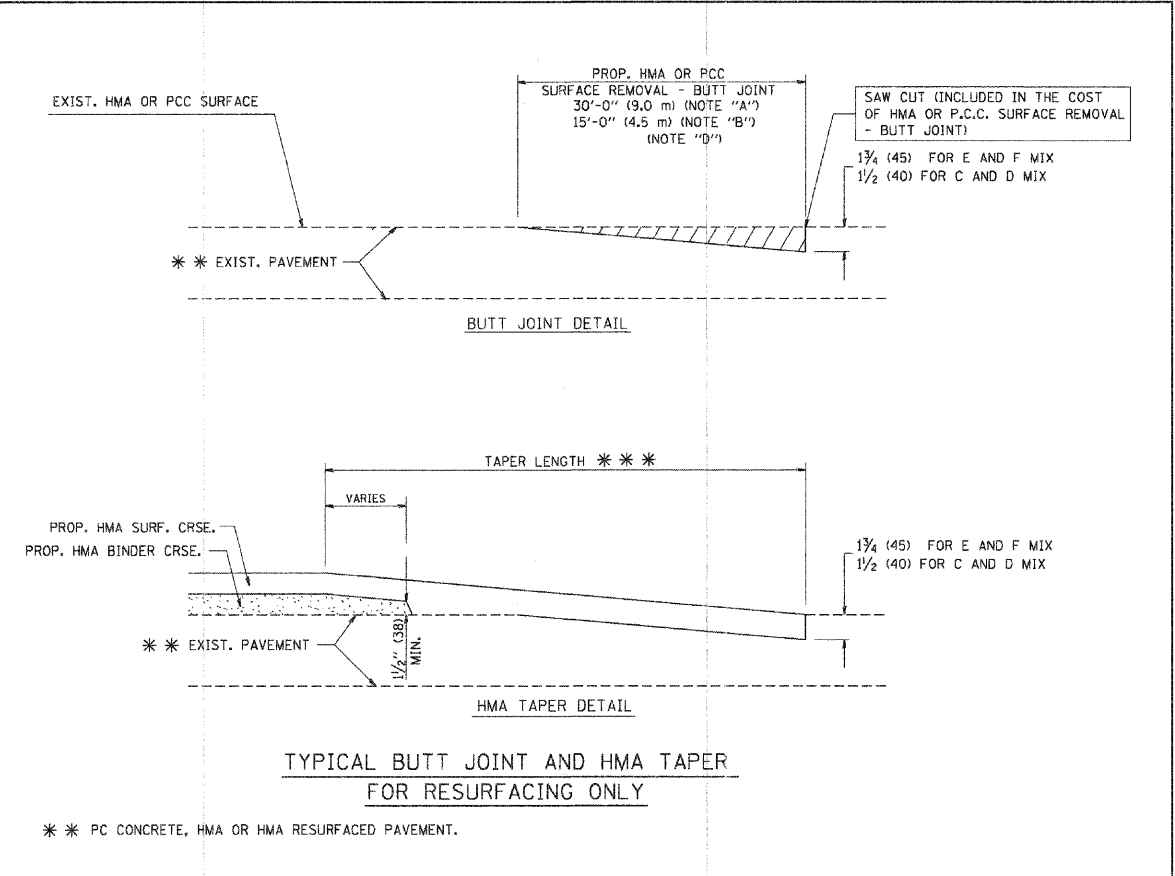
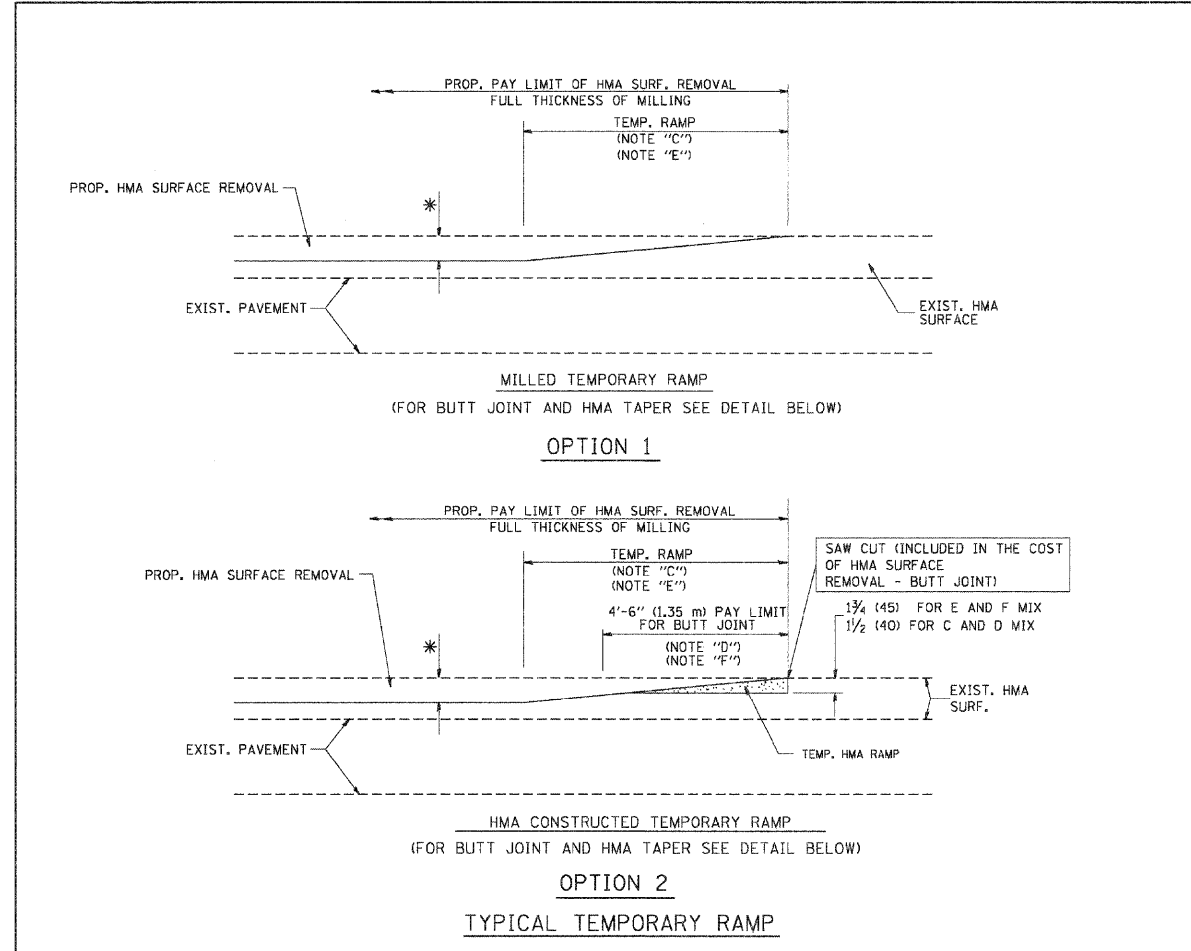
NO.	DATE	REVISIONS
2	03-20-09	PER IDOT COMMENTS
1	02-13-09	PER IDOT COMMENTS

**SUMMIT STREET**  
LAPP IMPROVEMENTS

**CURB OR CURB AND GUTTER**  
REMOVAL AND REPLACEMENT

DATE: DECEMBER 2008  
PROJECT NO: EG0810  
FILE: EG0810-CVR  
SHEET **17** OF **19**

Path: H:\S\SPRPROV\EG0810\DWG\VWS\_FINAL\_ENG\EG0810-CVR



**NOTES**

A: MAINLINE ROADWAYS AND MAJOR SIDE ROADS.  
 B: MINOR SIDE ROADS.  
 C: THE TEMP. RAMP SHALL BE CONSTRUCTED IMMEDIATELY UPON REMOVAL OF THE EXISTING HMA SURFACE.  
 D: THE BUTT JOINT SHALL BE CONSTRUCTED IMMEDIATELY PRIOR TO PLACING THE PROPOSED HMA COURSES.  
 E: TAPER THE TEMP. RAMP AT A RATE OF 3'-0" (900 mm) PER 1 INCH (25 mm) OF MILLING THICKNESS.  
 F: INSTALLATION AND REMOVAL OF THE 4'-6" (1.35 m) TEMP. RAMP IS INCLUDED IN COST OF HMA SURFACE REMOVAL - BUTT JOINT  
 G: SEE ARTICLE 406.08 AND 406.14 OF THE STANDARD SPECIFICATIONS FOR "HMA AND/OR PCC SURFACE REMOVAL, BUTT JOINT".

\* SEE TYPICAL SECTIONS FOR MILLING THICKNESS.

\*\*\* 20'-0" (6.1 m) PER 1 (25) RESURFACING (NOTE "A")  
 10'-0" (3.0 m) PER 1 (25) RESURFACING (NOTE "B")

**BASIS OF PAYMENT:**  
 THE BUTT JOINT WILL BE PAID FOR AT THE CONTRACT UNIT PRICE PER SQUARE YARD (SQUARE METER) FOR "HOT-MIX ASPHALT SURFACE REMOVAL - BUTT JOINT" OR FOR "PORTLAND CEMENT CONCRETE SURFACE REMOVAL - BUTT JOINT".

ALL DIMENSIONS ARE IN INCHES (MILLIMETERS) UNLESS OTHERWISE SHOWN.

FILE NAME W:\dsc\122\34\bd32.dgn	USER NAME ggj\ggj	DESIGNED M. DE YONG	REVISED R. SHAH 10-25-94	<b>STATE OF ILLINOIS DEPARTMENT OF TRANSPORTATION</b>	<b>BUTT JOINT AND HMA TAPER DETAILS</b>		F.A.U. RTE.	SECTION	COUNTY	TOTAL SHEETS	SHEET NO.	
PLT SCALE 50.0000' / 1"	CHECKED 06-13-90	DRAWN	REVISED A. ABBAS 03-21-97		SCALE: NONE	SHEET NO. 1 OF 1	SHEETS	STA.	TO STA.	BD400-05	BD32	CONTRACT NO.
PLT DATE 1/4/2008	DATE	REVISED M. GOMEZ 04-06-01	REVISED R. BORD 01-01-07		FED. ROAD DIST. NO. 1 ILLINOIS FED. AID PROJECT							

Plot Date: March 20, 2009 @ 11:02 AM By: Jim Galus - Tab: 18 BD-32.22X34

COPYRIGHT © 2009 ENGINEERING ENTERPRISES, INC.

**Engineering Enterprises, Inc.**  
 CONSULTING ENGINEERS  
 52 Wheeler Road  
 Sugar Grove, Illinois 60554  
 630.466.6700 / www.eeiweb.com

**CITY OF ELGIN  
 KANE COUNTY, ILLINOIS**

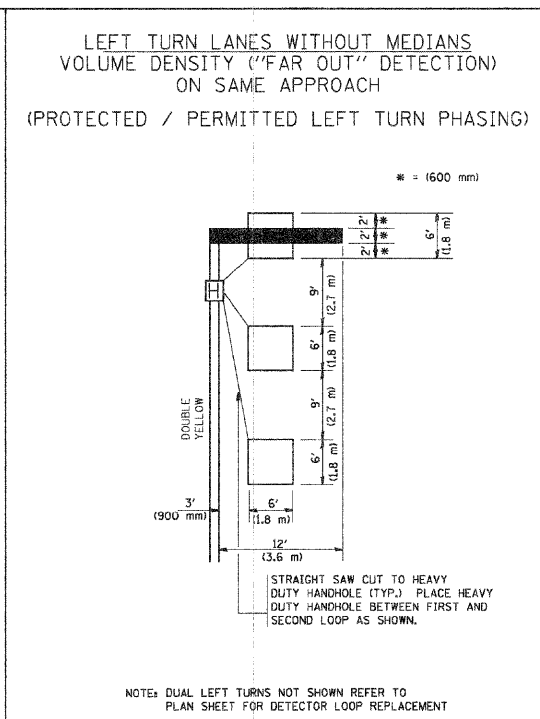
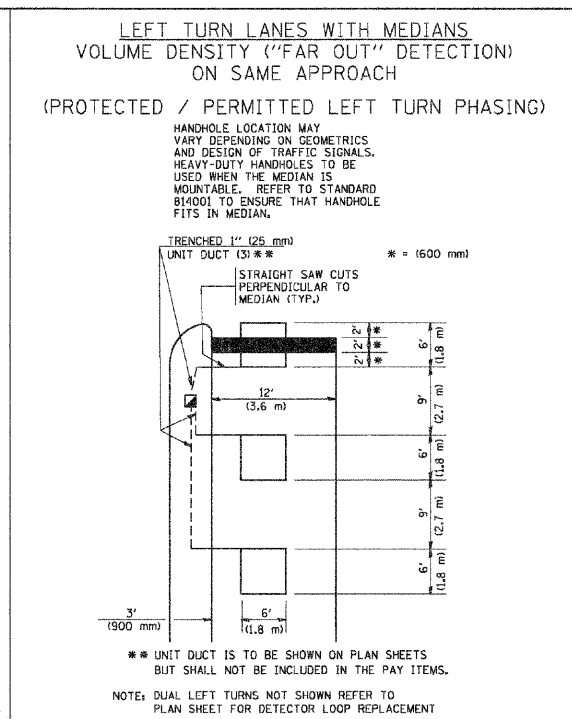
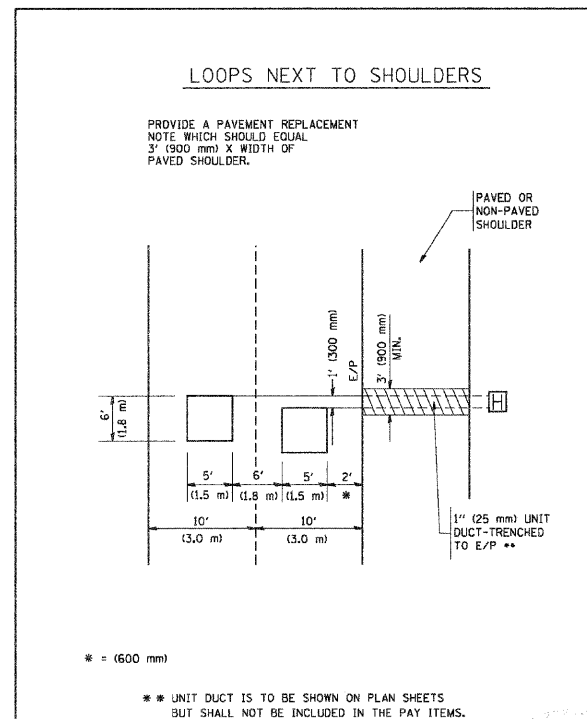
NO.	DATE	REVISIONS
2	03-20-09	PER IDOT COMMENTS
1	02-13-09	PER IDOT COMMENTS

**SUMMIT STREET  
 LAPP IMPROVEMENTS**

**BUTT JOINT AND  
 HMA TAPER DETAILS**

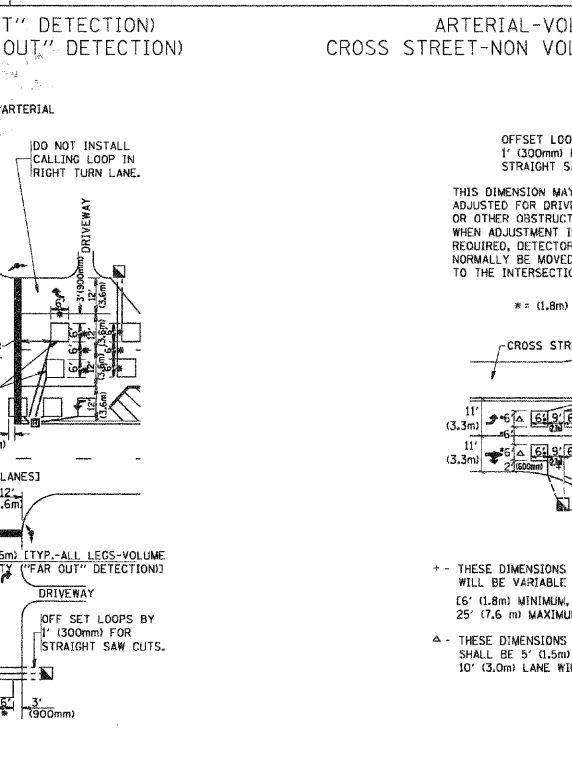
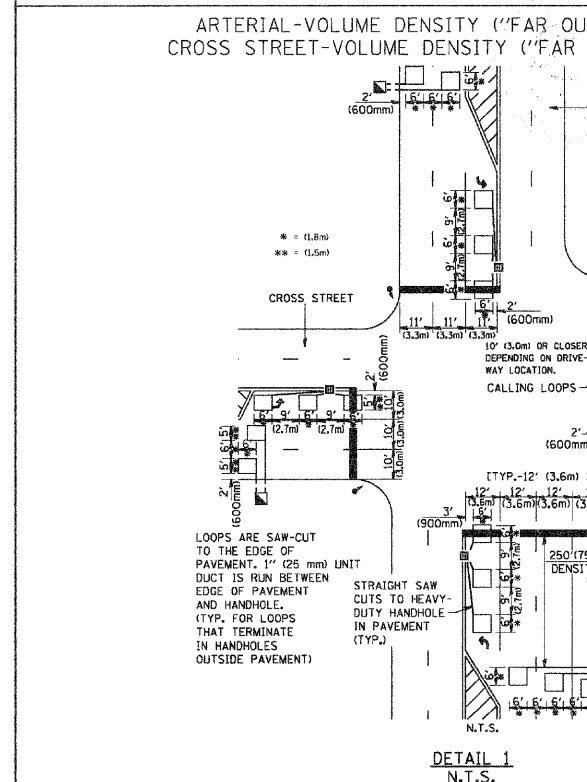
DATE: DECEMBER 2008  
 PROJECT NO: EG0810  
 FILE: EG0810-CVR  
 SHEET **18** OF **19**

Path: H:\SDS\PROJ\EG0810\DWG\DWG\_FINAL\ENG\EG0810-CVR



#### NOTES:

- #### VEHICLES LOOP DETECTORS
- ALL LEAD IN CABLE SHALL BE TWO CONDUCTOR NO. 14 TWISTED, SHIELDED.
  - EACH DETECTOR LOOP SHALL HAVE ITS OWN SAW CUT FROM THE LOOP TO THE EDGE OF PAVEMENT OR TO A HANDHOLE IN THE PAVEMENT.
  - EACH DETECTOR LOOP SHALL HAVE ITS OWN ONE INCH (25 mm) UNIT DUCT BETWEEN THE EDGE OF PAVEMENT AND THE FIRST HANDHOLE OR JUNCTION BOX. EACH UNIT DUCT RUN SHALL BE SHOWN ON THE PLANS BY THE DESIGNER, BUT SHALL NOT BE PAID FOR SEPARATELY. THIS ITEM IS INCIDENTAL TO THE PAY ITEM FOR DETECTOR LOOPS.
  - ONE DIMENSION OF ALL DETECTOR LOOPS SHALL BE SIX FEET (1.8 m)
  - EACH LANE OF NON-LOCKING, PRESENCE DETECTION AND EACH LANE OF A DOUBLE LEFT TURN LANE REQUIRES A SEPARATE INDUCTIVE LOOP DETECTOR AND LEAD IN CABLE.
  - WHEN NON-LOCKING, PRESENCE DETECTION IS USED, MORE THAN ONE LOOP PER LANE IS REQUIRED BEHIND THE STOP BAR (i.e. 1-1/2, 1-3/4, 2).
  - WHEN SYSTEM LOOPS ARE REQUIRED ON AN APPROACH OF AN INTERSECTION, THE LOOPS USED FOR VOLUME DENSITY AND INTERSECTION TIMING SHALL ALSO BE USED AS SYSTEM DETECTORS. EACH ONE OF THESE TYPE OF LOOPS REQUIRES A SEPARATE TWO CONDUCTOR NO. 14 TWISTED SHIELDED CABLE AND A SEPARATE INDUCTIVE LOOP DETECTOR WHEN NEW CONTROLLERS ARE UTILIZED. THE DESIGNER SHALL LABEL THESE TYPES OF LOOPS AS "INTERSECTION AND SAMPLING (SYSTEM) DETECTORS" ON THE SIGNAL LAYOUT, THE INTERCONNECT PLAN AND THE SYSTEM CABLE PLAN. WHEN AN EXISTING CONTROLLER IS UTILIZED FOR THIS TYPE OF DETECTION, THE PAY ITEM "INDUCTIVE LOOP DETECTOR WITH SYSTEM OUTPUT" SHOULD BE USED.



#### PLACEMENT OF DETECTORS

THE FOLLOWING FIGURES REPRESENT THE MOST COMMON DETECTOR LOOP LOCATIONS AND SIZES. ADJUSTMENTS WILL BE NECESSARY FOR SPECIFIC GEOMETRIC CONSIDERATIONS.

LOCATIONS AND DIMENSIONS OF DETECTOR LOOPS ARE REQUIRED ON ALL SIGNAL LAYOUT PLAN SHEETS.

"FAR OUT" DETECTION REFERS TO LOCKING, PRESENCE TYPE DETECTION LOCATED IN THRU LANES, RIGHT TURN LANES, AND RIGHT TURN LANE TAPER AREAS (IF APPLICABLE), USUALLY 250' (75 m) IN ADVANCE OF STOP BARS. "UPTIGHT" DETECTION REFERS TO NON-LOCKING PRESENCE TYPE DETECTION LOCATED IN ALL LANES AND 10'-15' (3.0 m-4.5 m) BEHIND THE CROSSING STREET'S EDGE OF PAVEMENT EXTENDED.

#### NOTE:

ALL DETAILS AND NOTES SHOWN ARE FROM THE I.D.O.T. DISTRICT 1 TRAFFIC SIGNAL DESIGN GUIDELINES DATED JANUARY 1995

THIS DRAWING HAS BEEN PREPARED TO ASSIST THE RESIDENT ENGINEER FOR ALL ROADWAY RESURFACING OR S.M.A.R.T. PROJECTS WHERE THE DIMENSIONS ARE NOT SHOWN ON THE PLANS AND THE FINAL LOCATIONS FOR CROSSWALKS OR STOP BARS ARE NOT DETERMINED.

FILE NAME =	USER NAME =	DESIGNED -	REVISED -
W:\dvs\222-34\tsb7.dgn	ggliarobt	DRAWN -	REVISED -
		CHECKED -	REVISED -
		DATE -	REVISED -

STATE OF ILLINOIS  
DEPARTMENT OF TRANSPORTATION

DISTRICT 1 - DETECTOR LOOP INSTALLATION  
DETAILS FOR ROADWAY RESURFACING

SCALE: NONE SHEET NO. 1 OF 1 SHEETS STA. TO STA.

F.A.U. RTE.	SECTION	COUNTY	TOTAL SHEETS	SHEET NO.
	TS-07			
CONTRACT NO.				
FED. ROAD DIST. NO. 1 ILLINOIS FED. AID PROJECT				

Plot: 2013-03-20 11:02 AM By: Jim Galois - Tab: 19 TS-07 22X34

COPYRIGHT © 2009 ENGINEERING ENTERPRISES, INC.

**Engineering Enterprises, Inc.**  
CONSULTING ENGINEERS  
52 Wheeler Road  
Sugar Grove, Illinois 60554  
630.466.6700 / www.eeiweb.com

**CITY OF ELGIN**  
KANE COUNTY, ILLINOIS

NO.	DATE	REVISIONS
2	03-20-09	PER IDOT COMMENTS
1	02-13-09	PER IDOT COMMENTS

**SUMMIT STREET**  
LAPP IMPROVEMENTS

**DISTRICT ONE - DETECTOR LOOP**  
INSTALLATION DETAILS FOR  
ROADWAY RESURFACING

DATE:	DECEMBER 2008
PROJECT NO:	EG0810
FILE:	EG0810-CVR
SHEET	19 OF 19

Path: H:\SOSKPROV\EG0810\DWG\FINAL\ENG\EG0810-CVR