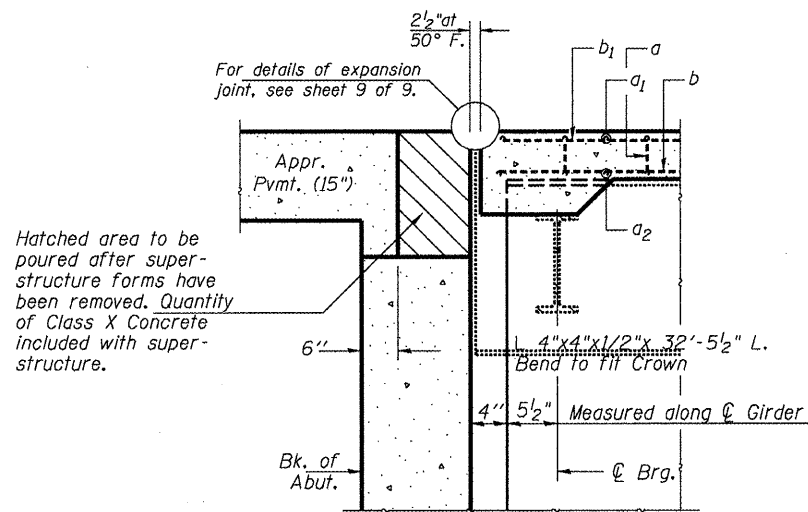


CROSS SECTION
(SN. 048-0052)



SECTION THRU ABUTMENT

Notes:
Reinforcement bars designated (E) shall be epoxy coated.
Bars indicated thus 20 x 3-#5 etc. indicates 20 lines of bars with 3 lengths per line.
Section views drawn "FOR INFORMATION ONLY" to be used as reference for beam repair.

FOR INFORMATION ONLY

Notes :
All horizontal dimensions are at right angles to beam ends.
Hatched area to be poured after concrete wearing surface is in place.

SN.048-0052 I-74
over Spoon Riv.

FILE NAME =	USER NAME = jonesce	DESIGNED - CEJ	REVISED -	STATE OF ILLINOIS DEPARTMENT OF TRANSPORTATION	EXISTING CROSS SECTIONS	F.A.I. RTE.	SECTION	COUNTY	TOTAL SHEETS	SHEET NO.
SN048-0052 EB.I-74 ovr SpoonRiv.dgn		DRAWN - CEJ	REVISED -			74	(48-29B)I-2	KNOX	9	4
	PLOT SCALE = 1/83.7051' / IN.	CHECKED -	REVISED -				REPAIR IMPACT DAMAGE			CONTRACT NO. 68858
	PLOT DATE = 4/23/2009	DATE -	REVISED -		SCALE: _____	SHEET NO. _____ OF _____ SHEETS		STA. _____ TO STA. _____		
						FED. ROAD DIST. NO. 4 ILLINOIS FED. AID PROJECT				