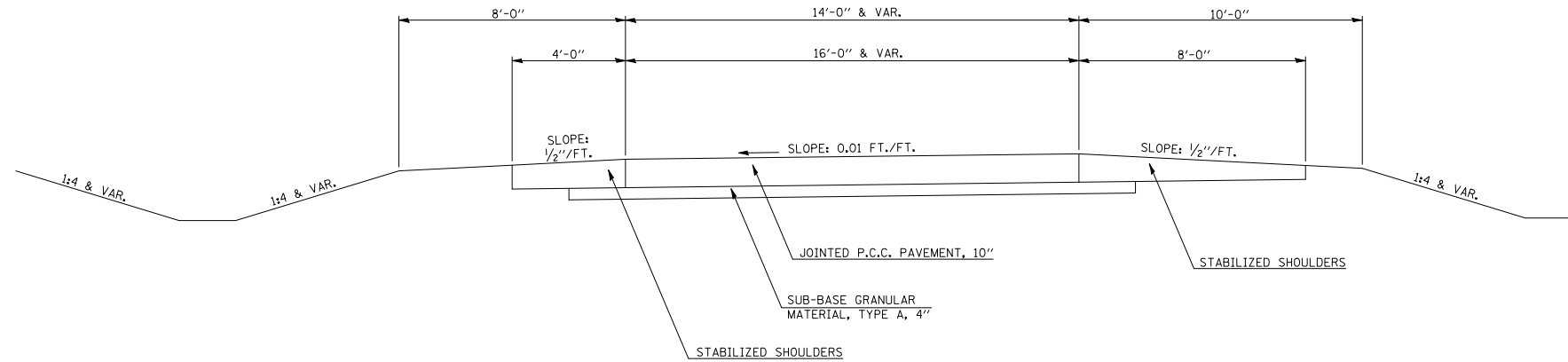


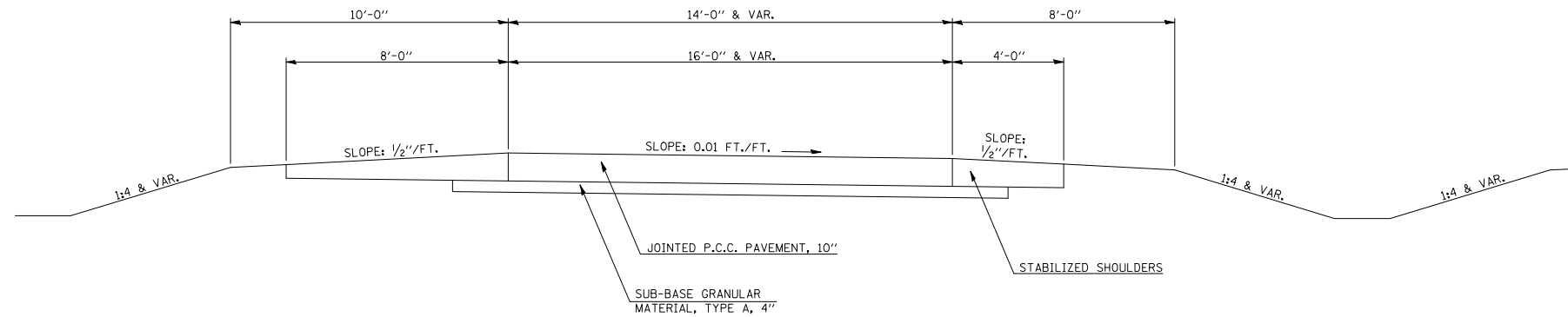
**EXISTING TYPICAL SECTION F.A.I. 57  
N.B. REST AREA RAMPS**

EXIT RAMP A.R. STATION 94+00.00  
ENTRANCE RAMP A.R. STATION 103+00.00



**EXISTING TYPICAL SECTION F.A.I. 57  
S.B. REST AREA RAMPS**

ENTRANCE RAMP A.R. STATION 33+00.00  
EXIT RAMP A.R. STATION 43+00.00



•DOUGLAS AND CHAMPAIGN COUNTIES

FILE NAME = c:\pwwork\pwwid01\KEYSRB\0141715\05708	USER NAME = keyarb	DESIGNED -	REVISED -	<b>STATE OF ILLINOIS DEPARTMENT OF TRANSPORTATION</b>	<b>EXISTING TYPICAL CROSS SECTION</b>			F.A.I. RTE.	SECTION	COUNTY	TOTAL SHEETS	SHEET NO.
	PLOT SCALE = 100.0000' / IN.	CHECKED -	REVISED -					57	D5 PATCHING 2010-1	*	12	11
PLOT DATE = 5/12/2009	DATE -	REVISED -	REVISED -	SCALE:	SHEET NO.	OF SHEETS	STA.	TO STA.	CONTRACT NO. 70815			
ILLINOIS FED. AID PROJECT												