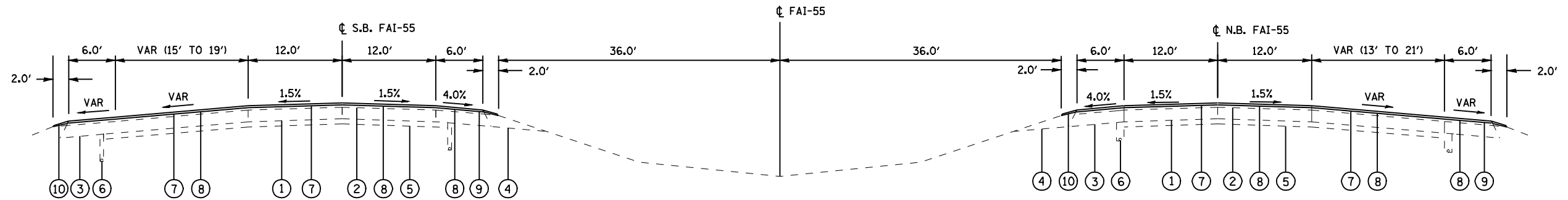


SN 054-0054  
 SN 054-0056  
 SN 054-0058  
 SN 054-0060 (SOUTH END)

SN 054-0053  
 SN 054-0055  
 SN 054-0057  
 SN 054-0061 (SOUTH END)



SN 054-0060 (NORTH END)

SN 054-0061 (NORTH END)

LEGEND

- ① EXIST. CRC PAVEMENT 9"
- ② EXIST. BITUMINOUS CONCRETE 3-1/4"
- ③ EXIST. BITUMINOUS SHOULDER 9"
- ④ EXIST. AGGREGATE SHOULDER
- ⑤ EXIST. STABILIZED SUBBASE 4"
- ⑥ EXIST. PIPE UNDERDRAINS
- ⑦ PROP. POLY. HMA SURF. CSE, MIX D, N105
- ⑧ PROP. HMA SURF. REMOVAL-VARIABLE DEPTH
- ⑨ PROP. HMA SHOULDERS
- ⑩ PROP. AGGREGATE WEDGE

FILE NAME =	USER NAME = coxte	DESIGNED -	REVISED -	<b>STATE OF ILLINOIS DEPARTMENT OF TRANSPORTATION</b>	<b>TYPICAL SECTIONS</b>			F.A.I. RTE.	SECTION	COUNTY	TOTAL SHEETS	SHEET NO.
e:\pwwork\pwidot\COXTE\d0134303\067205-sh-typical.dgn		DRAWN -	REVISED -		55	54-4 INT-RS	LOGAN	6	4			
PLOT SCALE = 100.0000' / IN.		CHECKED -	REVISED -		CONTRACT NO. 72C95							
PLOT DATE = May-19-2009 09:31:16AM		DATE -	REVISED -		SCALE:	SHEET NO.	OF SHEETS	STA.	TO STA.	ILLINOIS FED. AID PROJECT		