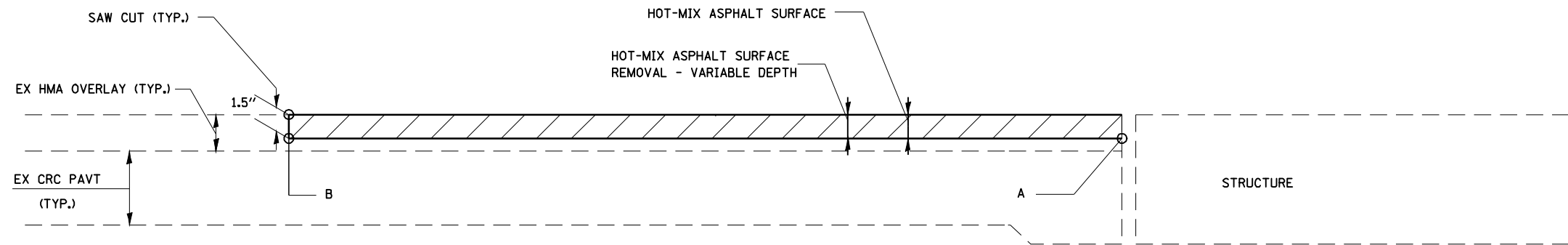


TYPICAL PLAN VIEW



SIDE VIEW

	APPROACH		DEPARTURE	
	BUTT JOINT	ABUTMENT	BUTT JOINT	ABUTMENT
	STATION	STATION	STATION	STATION
	(B)	(A)	(B)	(A)
SN 054-0053	532+37.91	533+87.91	541+17.21	539+67.21
SN 054-0054	542+71.99	541+21.99	533+92.69	535+42.69
SN 054-0055	554+07.35	555+57.35	563+17.57	561+67.57
SN 054-0056	563+34.68	561+84.68	554+24.44	555+74.44
SN 054-0057	574+60.78	576+10.78	579+10.27	577+60.27
SN 054-0058	579+10.27	577+60.27	574+60.78	576+10.78
SN 054-0060	706+09.93	703+59.93	696+54.11	698+04.11
SN 054-0061	695+53.46	697+03.46	703+93.25	702+43.25

NOTES:

1. THE SAW CUTS SHALL BE INCLUDED IN THE COST OF HOT MIX ASPHALT SURFACE REMOVAL-VARIABLE DEPTH
2. HOT MIX ASPHALT QUANTITIES ARE ESTIMATED. ACTUAL QUANTITIES TO BE DETERMINED BY THE ENGINEER IN THE FIELD.