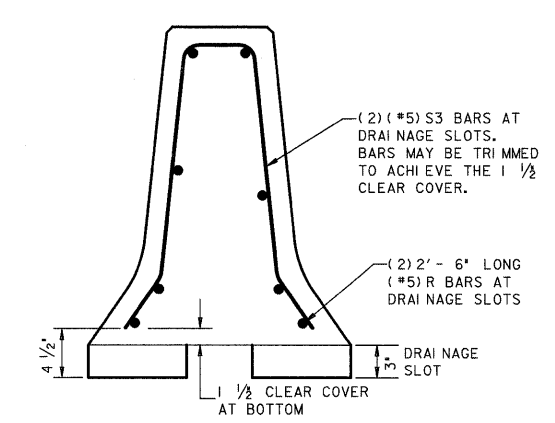
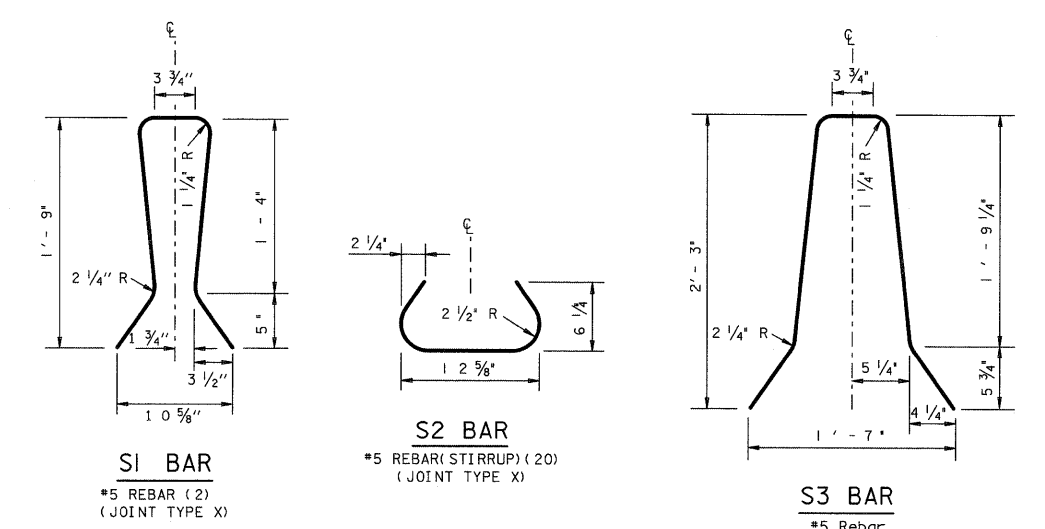
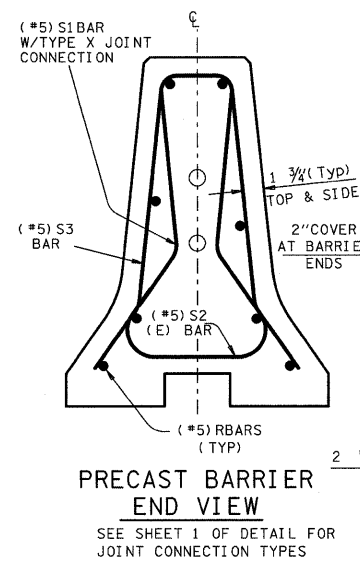
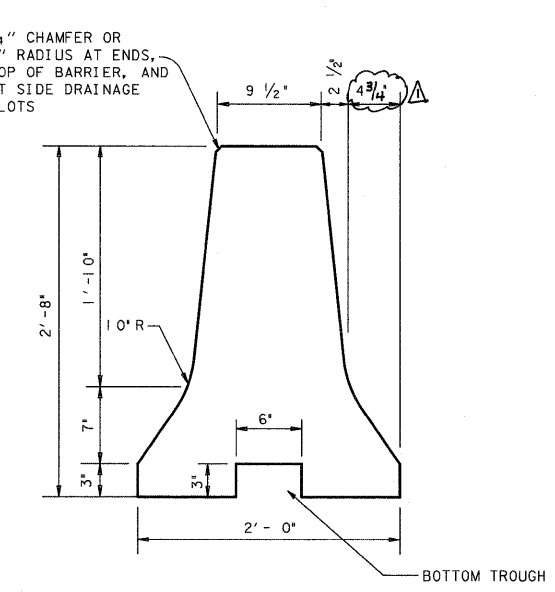


REINFORCEMENT FOR PRECAST CONCRETE SAFETY BARRIER
 SHOWING REINFORCEMENT FOR JOINT TYPE X, SEE SHEET 1 OF DETAIL FOR JOINT TYPES AND CONNECTION DETAILS.
 PRECAST BARRIER REINFORCEMENT IS SYMMETRICAL FROM CENTER LENGTH OF BARRIER.



Section A-A
 STEEL PLACEMENT AT DRAINAGE SLOT



CONCRETE SAFETY BARRIER
 PROVIDE BOTTOM TROUGH FULL LENGTH OF BARRIER

APPROXIMATE PER FT QUANTITIES		
		PRECAST
CONCRETE	CY.	0.108
REBAR	LB.	17.03

FOR CONTRACTOR'S INFORMATION ONLY
 WEIGHT OF ONE PRECAST 30 FT. UNIT = APPROX. 7 TONS

- General Notes**
1. CONCRETE SHALL BE A MODIFIED CLASS PC PER THE CONTRACT SPECIAL PROVISION, ENTITLED "CONCRETE SAFETY BARRIER, SPECIAL".
 2. CONCRETE SHALL HAVE A MINIMUM COMPRESSIVE STRENGTH OF 4000 PSI @ 28 DAYS.
 3. WHERE USED, REBAR REINFORCEMENT SHALL BE GRADE 60 AND CONFORM TO DUAL CERTIFICATION TO ASTM A615 AND A706
 4. PRECAST BARRIER LENGTH SHALL BE 30 FT.
 5. JOINT CONNECTION SYSTEMS, GROUT, ETC. AS SHOWN ARE CONSIDERED SUBSIDIARY.
 6. PROTECTIVE COAT SHALL BE APPLIED TO TOP AND SIDES OF BARRIER SURFACES. ENDS AND BOTTOM SHALL NOT BE COATED.