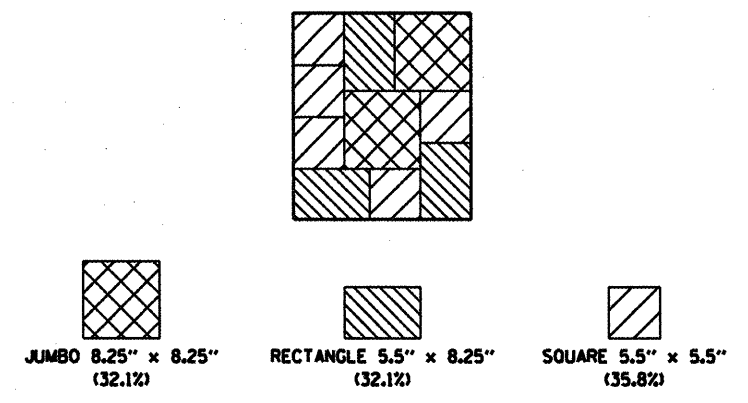
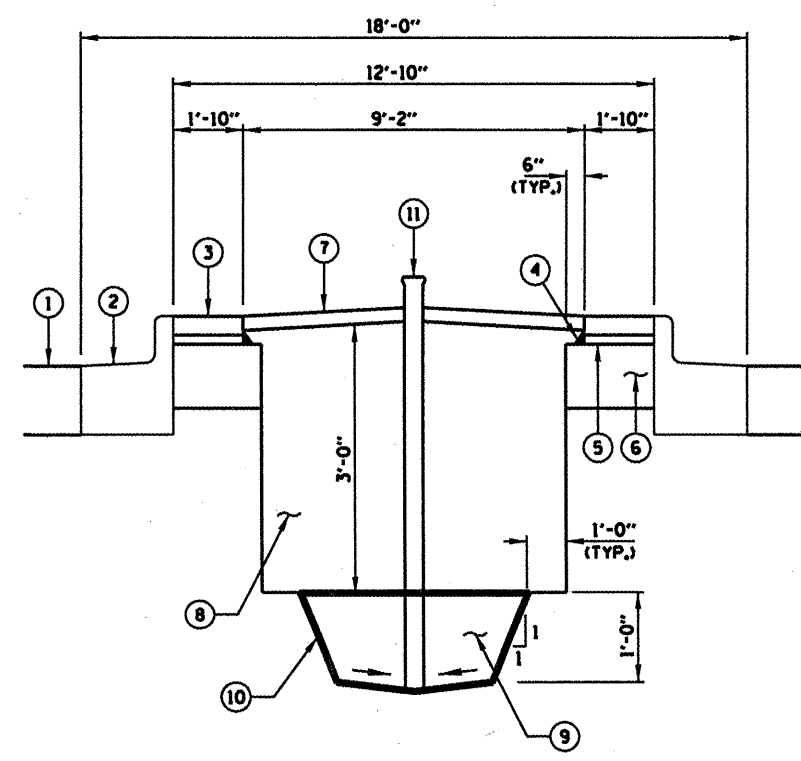


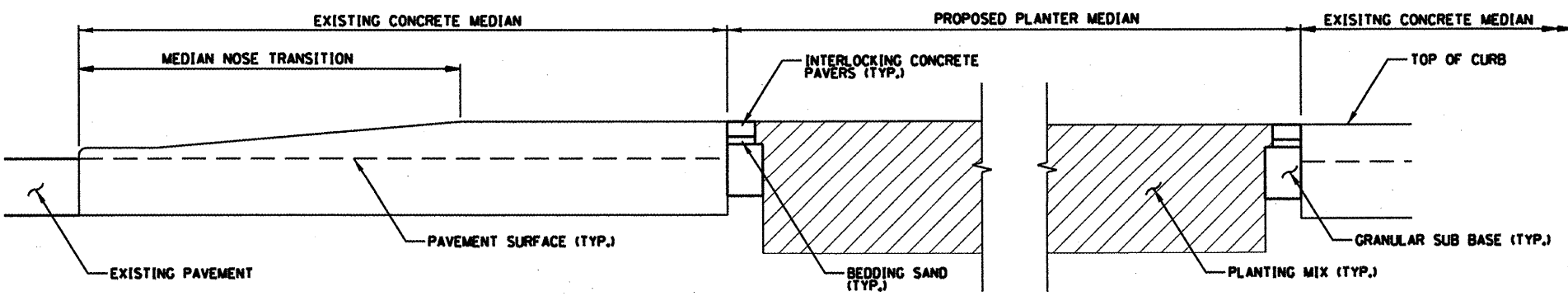
PLAN VIEW
SCALE: 1" = 5'



MUSTER O PATTERN DETAIL
NOT TO SCALE



SECTION C-C
NOT TO SCALE



SECTION A-A
NOT TO SCALE

SECTION B-B
NOT TO SCALE

- LEGEND**
- ① EXISTING PAVEMENT
 - ② EXISTING COMB CONC C&G, TYPE B-6.24
 - ③ INTERLOCKING CONCRETE PAVERS
 - ④ STEEL EDGE RESTRAINT (INCLUDED IN THE COST OF THE INTERLOCKING CONCRETE PAVERS)
 - ⑤ BEDDING SAND (INCLUDED IN THE COST OF INTERLOCKING CONCRETE PAVERS)
 - ⑥ SUB-BASE GRANULAR MATERIAL, TYPE B, 8"
 - ⑦ MULCH
 - ⑧ PLANTING MIX FURNISH AND PLACE 36"
 - ⑨ POROUS GRANULAR MATERIAL
 - ⑩ GEOTECHNICAL FABRIC
 - ⑪ INSPECTION PIPE (SEE NOTE 1)

NOTES

1. SEE MEDIAN PLANTER CONSTRUCTION DETAILS FOR INSPECTION PIPE DETAIL.

FILE NAME =	USER NAME = colemm	DESIGNED -	REVISED -	STATE OF ILLINOIS DEPARTMENT OF TRANSPORTATION	LOCATION #1 OLD IL 13 MEDIAN PLANTER DETAIL	F.A.I. RTE. 57	SECTION (X1-6LS-2)	COUNTY WILLIAMSON	TOTAL SHEETS 10	SHEET NO. 7	
ca\pwwork\pwwdot\COLEMM\d8138383\d978	96_sht_mso.dgn	DRAWN -	REVISED -			SCALE: NONE	SHEET NO. OF SHEETS STA. TO STA.	CONTRACT NO. 78096			
	PLOT SCALE = 28.7352 1/1 IN.	CHECKED -	REVISED -			ILLINOIS FED. AID PROJECT					
	PLOT DATE = 4/30/2009	DATE -	REVISED -								