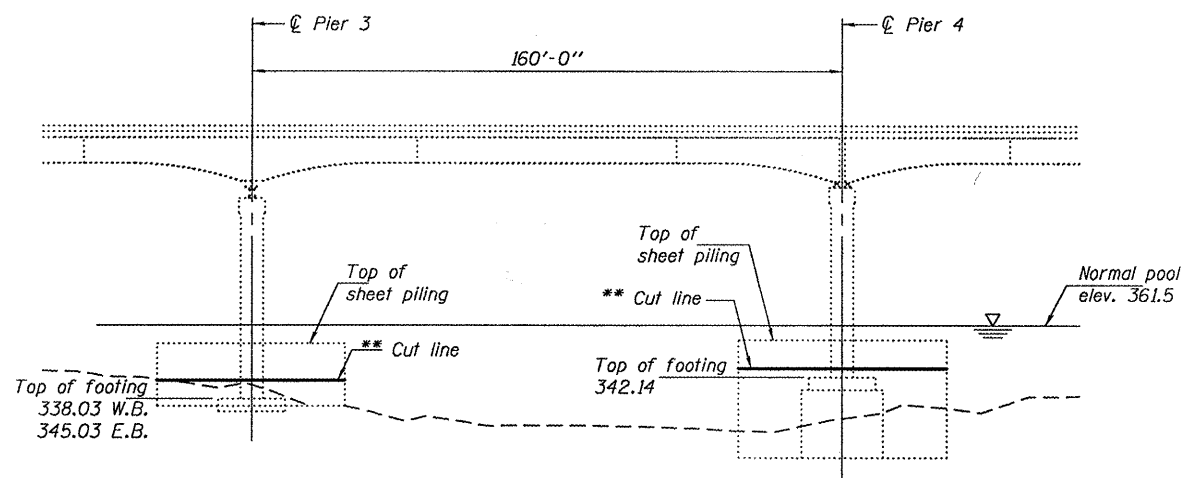


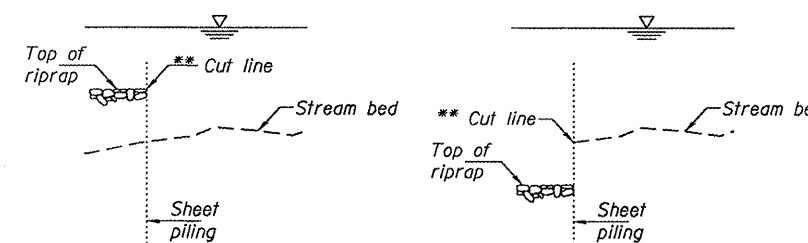
STATE OF ILLINOIS
DEPARTMENT OF TRANSPORTATION

GENERAL NOTES

Plan dimensions and details relative to existing structure have been taken from existing plans and are subject to nominal construction variations. It shall be the Contractor's responsibility to verify such dimensions and details in the field and make necessary approved adjustments prior to construction or ordering of materials. Such variations shall not be cause for additional compensation for a change in the scope of the work, however, the Contractor will be paid for the quantity actually furnished at the unit price bid for the work.



PARTIAL ELEVATION E.B. STRUCTURE

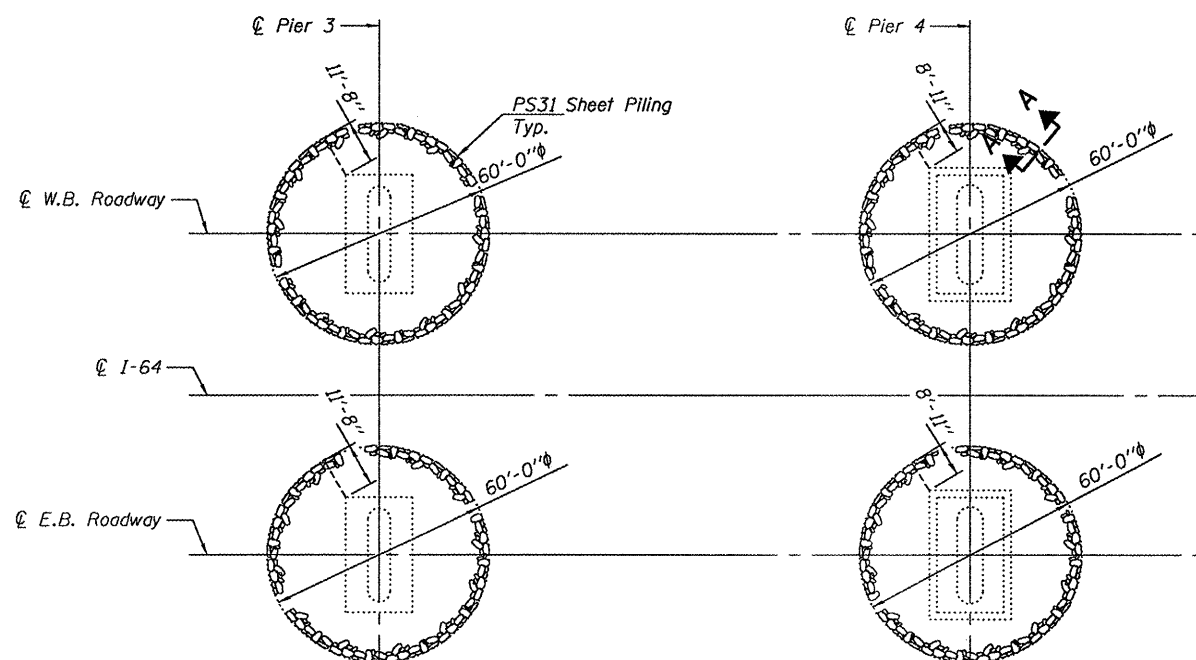


SECTION A-A

SECTION A-A

** Sheet piling to be cut to the elevation shown except that the cut elevation shall be the higher of the streambed elevation or the top of the riprap at the time of removal.

** Cut line elevation:
Pier 3, EB = 350.0
Pier 3, WB = 346.5
Pier 4, EB = 347.0
Pier 4, WB = 349.0

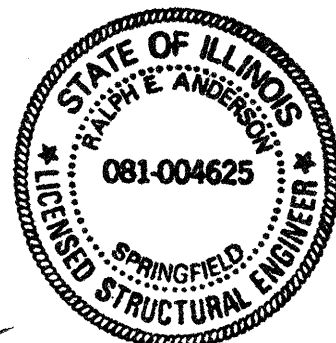


PARTIAL PLAN

TOTAL BILL OF MATERIAL

ITEM	UNIT	QUANTITY
* Cutting and Removing Underwater Steel Sheet Piling	Foot	500

* See Special Provisions



EXPIRES 11-30-2010

DESIGNED: *H. Veliz* JUN 18, 2009
 CHECKED: *R. Baliva*
 DRAWN: *baliva*
 CHECKED: *VHV* *DAB*
 EXAMINED: *R. E. Anderson*
 PASSED: *R. E. Anderson*

**PARTIAL PLAN AND ELEVATION
I-64 / WABASH RIVER
SN 097-0003 & 0004**

See sheet 2 of 2 for pile cutoff information

SHEET NO. 1	F.A.I. RTE.	SECTION	COUNTY	TOTAL SHEETS	SHEET NO.
2 SHEETS	64	(97-2)I-1	WHITE	5	4
			CONTRACT NO. 78140		
FED. ROAD DIST. NO.		ILLINOIS FED. AID PROJECT			