

F.A.I. RTE.	SECTION	COUNTY	TOTAL SHEETS	SHEET NO.
64	(97-2)I-1	WHITE	5	1
		ILLINOIS	CONTRACT NO. 78140	

STATE OF ILLINOIS
DEPARTMENT OF TRANSPORTATION
DIVISION OF HIGHWAYS

**PROPOSED
HIGHWAY PLANS**

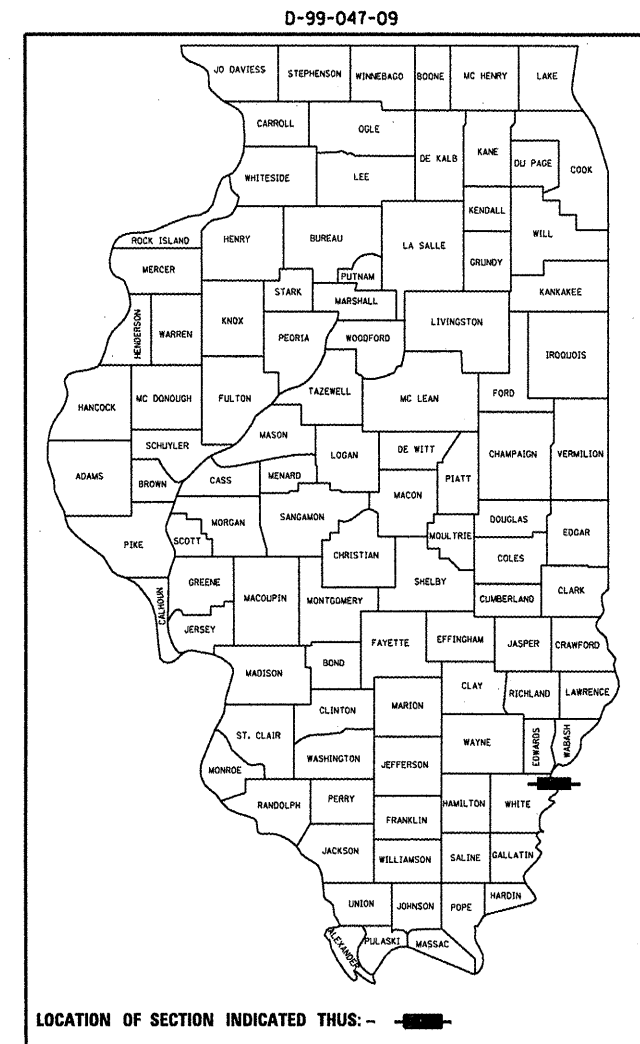
FAI ROUTE 64 (I-64)
SECTION (97-2)I-1

STEEL SHEET PILE MODIFICATION
WHITE COUNTY, ILLINOIS

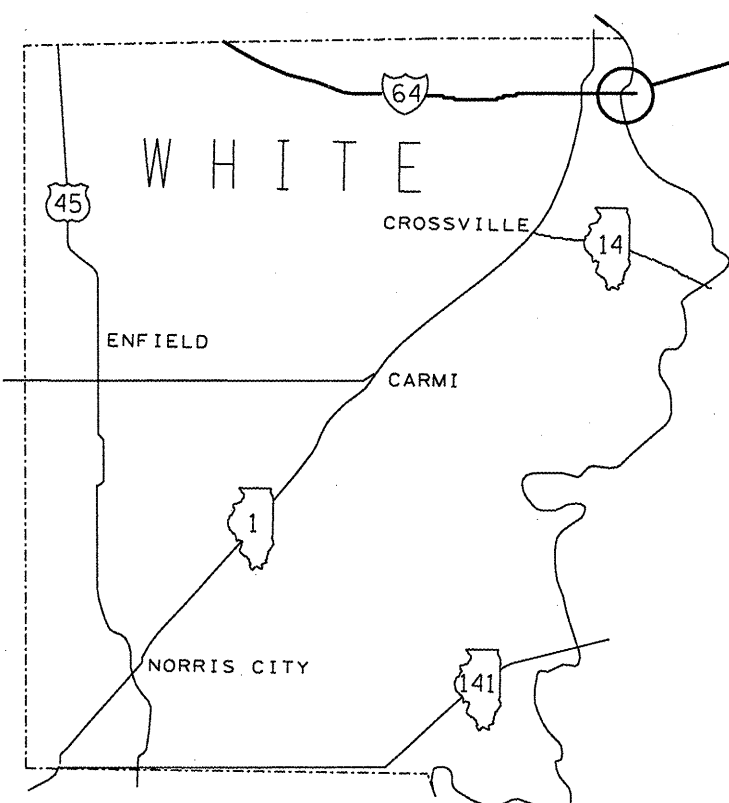
C-99-066-09

FOR INDEX OF SHEETS, SEE SHEET NO. 2

2007 ADT = 12,800

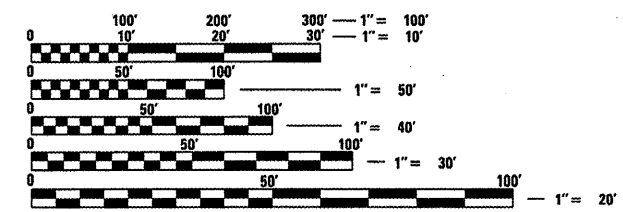


SN 097-0003 (EB)
SN 097-0004 (WB)
WABASH RIVER



LOCATION MAP

GROSS LENGTH = 2705.25 FEET = 0.512 MILES
NET LENGTH = 2705.25 FEET = 0.512 MILES



FULL SIZE PLANS HAVE BEEN PREPARED USING STANDARD ENGINEERING SCALES. REDUCED SIZED PLANS WILL NOT CONFORM TO STANDARD SCALES. IN MAKING MEASUREMENTS ON REDUCED PLANS, THE ABOVE SCALES MAY BE USED.

J.U.L.I.E.
JOINT UTILITY LOCATION INFORMATION FOR EXCAVATION
1-800-892-0123
OR 811

STATE OF ILLINOIS
DEPARTMENT OF TRANSPORTATION
DIVISION OF HIGHWAYS

SUBMITTED May 19, 2009
Chris Carmi
DEPUTY DIRECTOR OF HIGHWAYS, REGION ENGINEER

June 26, 2009
Charles J. Ingersoll
ENGINEER OF DESIGN AND ENVIRONMENT

June 26, 2009
Christine M. Reed
DIRECTOR OF HIGHWAYS, CHIEF ENGINEER

**PRINTED BY THE AUTHORITY
OF THE STATE OF ILLINOIS**

CONTRACT NO. 78140

INDEX OF SHEETS

<u>SHEET NO.</u>	<u>TITLE</u>
1	COVER SHEET
2	INDEX OF SHEETS, GENERAL NOTES
3	SUMMARY OF QUANTITIES
4	PARTIAL PLAN AND ELEVATION
5	PILE CUTOFF INFORMATION

GENERAL NOTES

ACCESS TO THE PROJECT SHALL BE FROM THE SOUTH ON THE TOWNSHIP ROAD SYSTEM UNLESS PERMISSION IS OBTAINED FROM THE ROAD COMMISSIONER TO USE THE NORTHERN ACCESS.

Prepared By:	<i>Dennis W. Hillebr</i> DISTRICT STUDIES & PLANS ENGINEER
Examined By:	<i>Paul G</i> DISTRICT LAND ACQUISITION ENGINEER
Examined By:	<i>Carrie Nelson</i> DISTRICT PROGRAM DEVELOPMENT ENGINEER
Examined By:	<i>Daryl A. Herford</i> DISTRICT OPERATIONS ENGINEER
Examined By:	<i>Jim Smother</i> DISTRICT CONSTRUCTION ENGINEER
Examined By:	<i>Bruce W. Peebles</i> DISTRICT MATERIALS ENGINEER
Examined By:	<i>Jim Smother</i> DISTRICT PROJECT IMPLEMENTATION ENGINEER
Examined By:	<i>Danny Clayton</i> ASSISTANT REGIONAL ENGINEER
Approved By:	<i>May C. Kramis</i> DEPUTY DIRECTOR OF HIGHWAYS, REGION 5 ENGINEER
DATE	<i>May 19 2009</i>

FILE NAME =	USER NAME = gautneyrk	DESIGNED -	REVISED -	STATE OF ILLINOIS DEPARTMENT OF TRANSPORTATION	F.A.I. RTE.	SECTION	COUNTY	TOTAL SHEETS	SHEET NO.
ct:\pw\work\PWIDDT\GAUTNEYRK\0140416\78	48-shs-pln.dgn	DRAWN -	REVISED -		64	(97-2)-1	WHITE	5	2
	PLOT SCALE = 1/83.6758 "/ IN.	CHECKED -	REVISED -		SCALE: SHEET NO. OF SHEETS STA. TO STA.		ILLINOIS CONTRACT NO. 78140		
	PLOT DATE = 5/15/2009	DATE -	REVISED -		ILLINOIS FED. AID PROJECT				

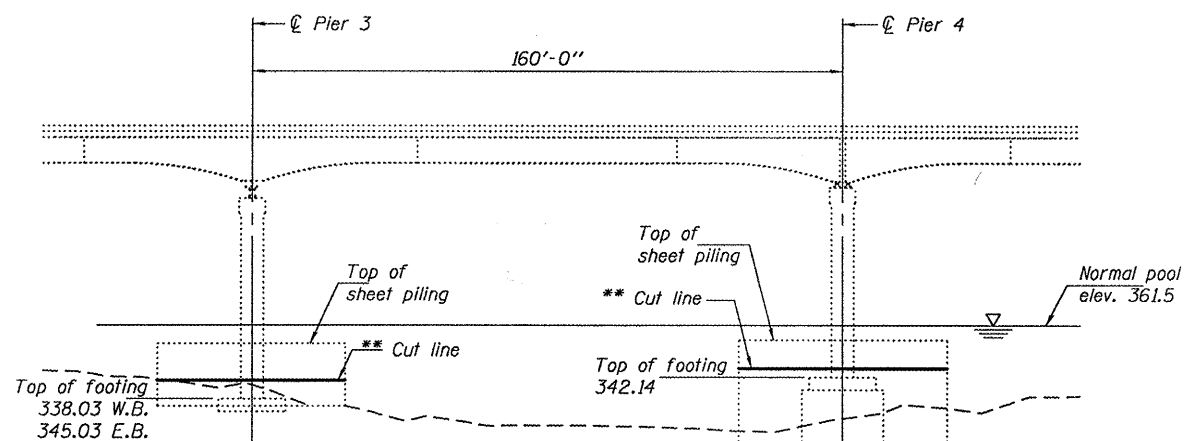
SUMMARY OF QUANTITIES

SUMMARY OF QUANTITIES		CONSTRUCTION TYPE CODE SFTY-2A	
CODE NO.	ITEM	UNIT	TOTAL QUANTITY
X0326644	CUTTING AND REMOVING UNDERWATER STEEL SHEET PILING	FOOT	500
67100100	MOBILIZATION	L SUM	1

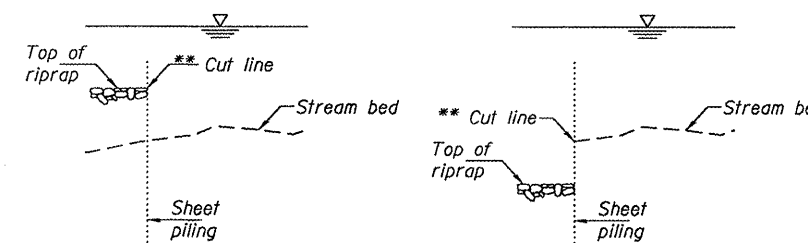
STATE OF ILLINOIS
DEPARTMENT OF TRANSPORTATION

GENERAL NOTES

Plan dimensions and details relative to existing structure have been taken from existing plans and are subject to nominal construction variations. It shall be the Contractor's responsibility to verify such dimensions and details in the field and make necessary approved adjustments prior to construction or ordering of materials. Such variations shall not be cause for additional compensation for a change in the scope of the work, however, the Contractor will be paid for the quantity actually furnished at the unit price bid for the work.



PARTIAL ELEVATION E.B. STRUCTURE

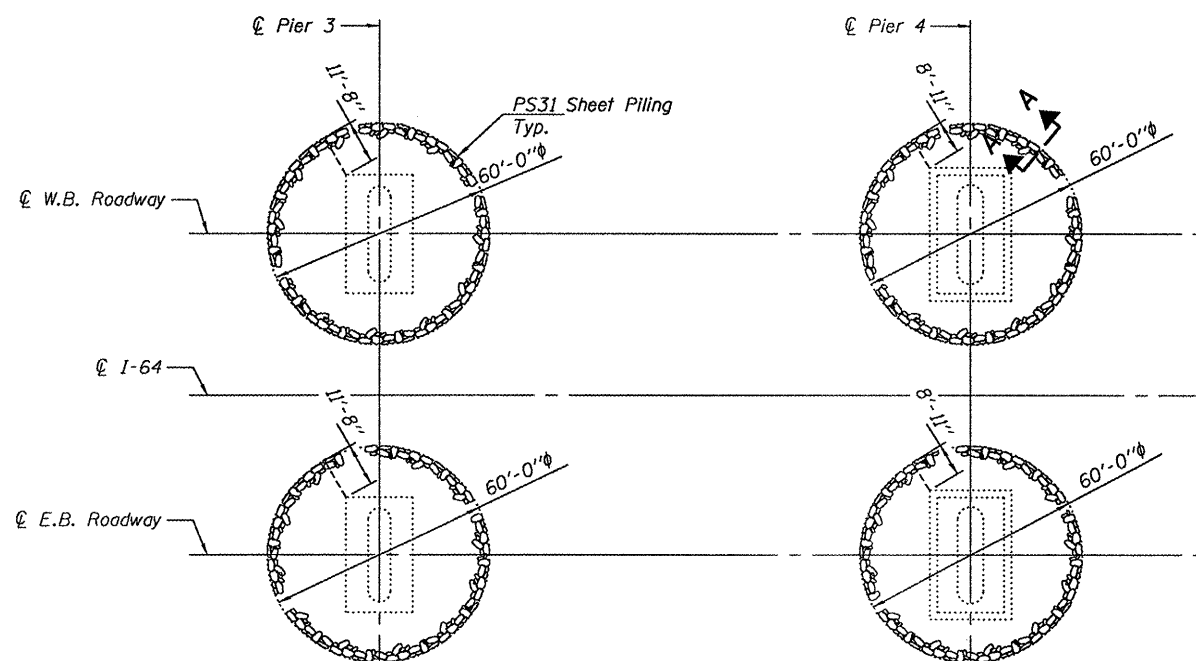


SECTION A-A

SECTION A-A

** Sheet piling to be cut to the elevation shown except that the cut elevation shall be the higher of the streambed elevation or the top of the riprap at the time of removal.

** Cut line elevation:
Pier 3, EB = 350.0
Pier 3, WB = 346.5
Pier 4, EB = 347.0
Pier 4, WB = 349.0

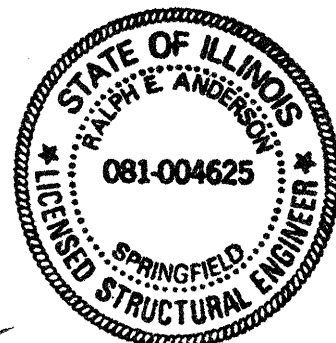


PARTIAL PLAN

TOTAL BILL OF MATERIAL

ITEM	UNIT	QUANTITY
* Cutting and Removing Underwater Steel Sheet Piling	Foot	500

* See Special Provisions



EXPIRES 11-30-2010

DESIGNED	<i>H. Veliz</i>	JUNE 18, 2009
CHECKED	<i>R. Baliva</i>	EXAMINED <i>R. Anderson</i>
DRAWN	<i>baliva</i>	PASSED <i>R. Anderson</i>
CHECKED	<i>VHV</i>	

See sheet 2 of 2 for pile cutoff information

**PARTIAL PLAN AND ELEVATION
I-64 / WABASH RIVER
SN 097-0003 & 0004**

SHEET NO. 1	F.A.I. RTE.	SECTION	COUNTY	TOTAL SHEETS	SHEET NO.
	64	(97-2)I-1	WHITE	5	4
2 SHEETS		CONTRACT NO. 78140			
FED. ROAD DIST. NO.		ILLINOIS FED. AID PROJECT			

STATE OF ILLINOIS
DEPARTMENT OF TRANSPORTATION

Pier 3 Eastbound						Pier 3 Westbound						Pier 4 Eastbound						Pier 4 Westbound					
Order driven	Top of Sheet Elev.	Plan Cut Off Elev.	Excess length	Order driven	Top of Sheet Elev.	Plan Cut Off Elev.	Excess length	Order driven	Top of Sheet Elev.	Plan Cut Off Elev.	Excess length	Order driven	Top of Sheet Elev.	Plan Cut Off Elev.	Excess length	Order driven	Top of Sheet Elev.	Plan Cut Off Elev.	Excess length				
1	350.85	350.00	0.85	1	353.50	346.50	7.00	3	347.66	347.00	0.66	1	346.95	349.00		1	347.66	347.00	0.66				
2	348.85	350.00		2	352.25	346.50	5.75	4	346.70	347.00		2	346.95	349.00		2	346.75	347.00					
3	350.80	350.00	0.80	3	352.25	346.50	5.75	5	346.70	347.00		3	346.95	349.00		3	346.70	347.00					
4	350.80	350.00	0.80	4	352.50	346.50	6.00	6	346.50	347.00		4	347.20	349.00		4	346.50	347.00					
5	351.80	350.00	1.80	5	352.50	346.50	6.00	7	346.60	347.00		5	346.95	349.00		5	346.60	347.00					
6	354.60	350.00	4.60	6	351.50	346.50	5.00	8	346.70	347.00		6	349.20	349.00	0.20	6	346.70	347.00					
7	349.85	350.00	0.15	7	352.50	346.50	6.00	9	346.80	347.00		7	349.20	349.00	0.20	7	346.80	347.00					
8	352.00	350.00	2.00	8	352.50	346.50	6.00	10	346.80	347.00		8	346.20	349.00		8	346.80	347.00					
9	352.00	350.00	2.00	9	352.50	346.50	6.00	11	346.80	347.00		9	346.20	349.00		9	346.80	347.00					
10	352.00	350.00	2.00	10	352.50	346.50	6.00	12	346.80	347.00		10	345.70	349.00		10	346.80	347.00					
11	352.00	350.00	2.00	11	352.50	346.50	6.00	13	346.80	347.00		11	346.20	349.00		11	346.80	347.00					
12	352.00	350.00	2.00	12	352.50	346.50	6.00	14	346.80	347.00		12	346.20	349.00		12	346.80	347.00					
13	352.00	350.00	2.00	13	352.50	346.50	6.00	15	346.80	347.00		13	346.20	349.00		13	346.80	347.00					
14	352.00	350.00	2.00	14	352.50	346.50	6.00	16	346.80	347.00		14	346.20	349.00		14	346.80	347.00					
15	352.00	350.00	2.00	15	352.50	346.50	6.00	17	346.80	347.00		15	346.20	349.00		15	346.80	347.00					
16	352.00	350.00	2.00	16	352.50	346.50	6.00	18	346.80	347.00		16	346.20	349.00		16	346.80	347.00					
17	352.00	350.00	2.00	17	352.50	346.50	6.00	19	346.80	347.00		17	346.20	349.00		17	346.80	347.00					
18	352.00	350.00	2.00	18	352.50	346.50	6.00	20	346.80	347.00		18	346.20	349.00		18	346.80	347.00					
19	352.00	350.00	2.00	19	352.50	346.50	6.00	21	346.80	347.00		19	346.20	349.00		19	346.80	347.00					
20	352.00	350.00	2.00	20	352.50	346.50	6.00	22	346.80	347.00		20	346.20	349.00		20	346.80	347.00					
21	352.00	350.00	2.00	21	352.50	346.50	6.00	23	346.80	347.00		21	346.20	349.00		21	346.80	347.00					
22	352.00	350.00	2.00	22	352.50	346.50	6.00	24	346.80	347.00		22	346.20	349.00		22	346.80	347.00					
23	352.00	350.00	2.00	23	352.50	346.50	6.00	25	346.80	347.00		23	346.20	349.00		23	346.80	347.00					
24	352.00	350.00	2.00	24	352.50	346.50	6.00	26	346.80	347.00		24	346.20	349.00		24	346.80	347.00					
25	352.00	350.00	2.00	25	352.50	346.50	6.00	27	346.80	347.00		25	346.20	349.00		25	346.80	347.00					
26	352.00	350.00	2.00	26	352.50	346.50	6.00	28	346.80	347.00		26	346.20	349.00		26	346.80	347.00					
27	352.00	350.00	2.00	27	352.50	346.50	6.00	29	346.80	347.00		27	346.20	349.00		27	346.80	347.00					
28	352.00	350.00	2.00	28	352.50	346.50	6.00	30	346.80	347.00		28	346.20	349.00		28	346.80	347.00					
29	352.00	350.00	2.00	29	352.50	346.50	6.00	31	346.80	347.00		29	346.20	349.00		29	346.80	347.00					
30	352.00	350.00	2.00	30	352.50	346.50	6.00	32	346.80	347.00		30	346.20	349.00		30	346.80	347.00					
31	352.00	350.00	2.00	31	352.50	346.50	6.00	33	346.80	347.00		31	346.20	349.00		31	346.80	347.00					
32	352.00	350.00	2.00	32	352.50	346.50	6.00	34	346.80	347.00		32	346.20	349.00		32	346.80	347.00					
33	352.00	350.00	2.00	33	352.50	346.50	6.00	35	346.80	347.00		33	346.20	349.00		33	346.80	347.00					
34	352.00	350.00	2.00	34	352.50	346.50	6.00	36	346.80	347.00		34	346.20	349.00		34	346.80	347.00					
35	352.00	350.00	2.00	35	352.50	346.50	6.00	37	346.80	347.00		35	346.20	349.00		35	346.80	347.00					
36	352.00	350.00	2.00	36	352.50	346.50	6.00	38	346.80	347.00		36	346.20	349.00		36	346.80	347.00					
37	352.00	350.00	2.00	37	352.50	346.50	6.00	39	346.80	347.00		37	346.20	349.00		37	346.80	347.00					
38	352.00	350.00	2.00	38	352.50	346.50	6.00	40	346.80	347.00		38	346.20	349.00		38	346.80	347.00					
39	352.00	350.00	2.00	39	352.50	346.50	6.00	41	346.80	347.00		39	346.20	349.00		39	346.80	347.00					
40	352.00	350.00	2.00	40	352.50	346.50	6.00	42	346.80	347.00		40	346.20	349.00		40	346.80	347.00					
41	352.00	350.00	2.00	41	352.50	346.50	6.00	43	346.80	347.00		41	346.20	349.00		41	346.80	347.00					
42	352.00	350.00	2.00	42	352.50	346.50	6.00	44	346.80	347.00		42	346.20	349.00		42	346.80	347.00					
43	352.00	350.00	2.00	43	352.50	346.50	6.00	45	346.80	347.00		43	346.20	349.00		43	346.80	347.00					
44	352.00	350.00	2.00	44	352.50	346.50	6.00	46	346.80	347.00		44	346.20	349.00		44	346.80	347.00					
45	352.00	350.00	2.00	45	352.50	346.50	6.00	47	346.80	347.00		45	346.20	349.00		45	346.80	347.00					
46	352.00	350.00	2.00	46	352.50	346.50	6.00	48	346.80	347.00		46	346.20	349.00		46	346.80	347.00					
47	352.00	350.00	2.00	47	352.50	346.50	6.00	49	346.80	347.00		47	346.20	349.00		47	346.80	347.00					
48	352.00	350.00	2.00	48	352.50	346.50	6.00	50	346.80	347.00		48	346.20	349.00		48	346.80	347.00					
49	352.00	350.00	2.00	49	352.50	346.50	6.00	51	346.80	347.00		49	346.20	349.00		49	346.80	347.00					
50	352.00	350.00	2.00	50	352.50	346.50	6.00	52	346.80	347.00		50	346.20	349.00		50	346.80	347.00					
51	352.00	350.00	2.00	51	352.50	346.50	6.00	53	346.80	347.00		51	346.20	349.00		51	346.80	347.00					
52	352.00	350.00	2.00	52	352.50	346.50	6.00	54	346.80	347.00		52	346.20	349.00		52	346.80	347.00					
53	352.00	350.00	2.00	53	352.50	346.50	6.00	55	346.80	347.00		53	346.20	349.00		53	346.80	347.00					
54	352.00	350.00	2.00	54	352.50	346.50	6.00	56	346.80	347.00		54	346.20	349.00		54	346.80	347.00					
55	352.00	350.00	2.00	55	352.50	346.50	6.00	57	346.80	347.00		55	346.20	349.00		55	346.80	347.00					
56	352.00	350.00	2.00	56	352.50	346.50	6.00	58	346.80	347.00		56	346.20	349.00		56	346.80	347.00					
57	352.00	350.00	2.00	57	352.50	346.50	6.00	59	346.80	347.00		57	346.20	349.00		57	346.80	347.00					
58	352.00	350.00	2.00	58	352.50	346.50	6.00	60	346.80	347.00		58	346.20	349.00		58	346.80	347.00					
59	352.00	350.00	2.00	59	352.50	346.50	6.00	61	346.80	347.00		59	346.20	349.00		59	346.80	347.00					
60	352.00	350.00	2.00	60	352.50	346.50	6.00	62	346.80	347.00		60	346.20	349.00		60	346.80	347.00					
61	352.00	350.00	2.00	61	352.50	346.50	6.00	63	346.80	347.00		61	346.20	349.00		61	346.80	347.00					
62	352.00	350.00	2.00	62	352.50	346.50	6.00	64	346.80	347.00		62	346.20	349.00		62	346.80	347.00					
63	352.00	350.00	2.00	63	352.50	346.50	6.00	65	346.80	347.00		63	346.20	349.00		63	346.80	347.00					
64	352.00	350.00	2.00	64	352.50	346.50	6.00	66	346.80	347.00		64	346.20	349.00		64	346.80	347.00					
65	352.00	350.00	2.00	65	352.50	346.50	6.00	67	346.80	347.00		65	346.20	349.00		65	346.80	347.00					
66	352.00	350.00	2.00	66	352.50	346.50	6.00	68	346.80	347.00		66	346.20	349.00		66	346.80	347.00					
67	352.00	350.00	2.00	67	352.50	346.50	6.00	69	346.80	347.00		67	346.20	349.00		67	346.80	347.00	</				