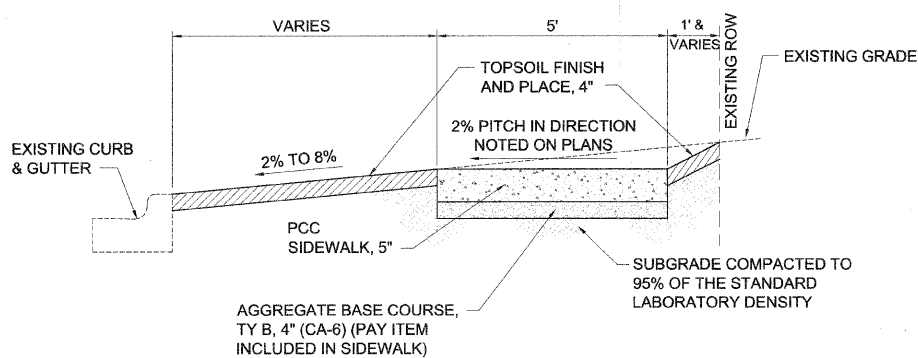
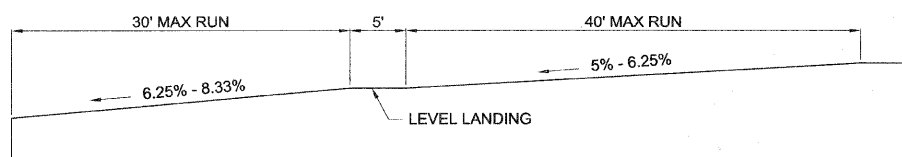


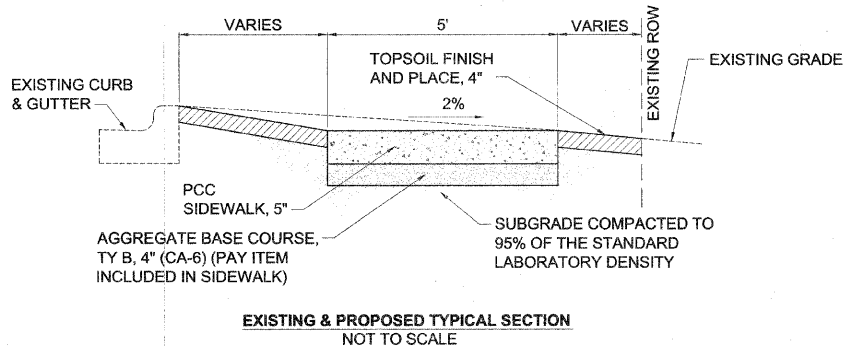
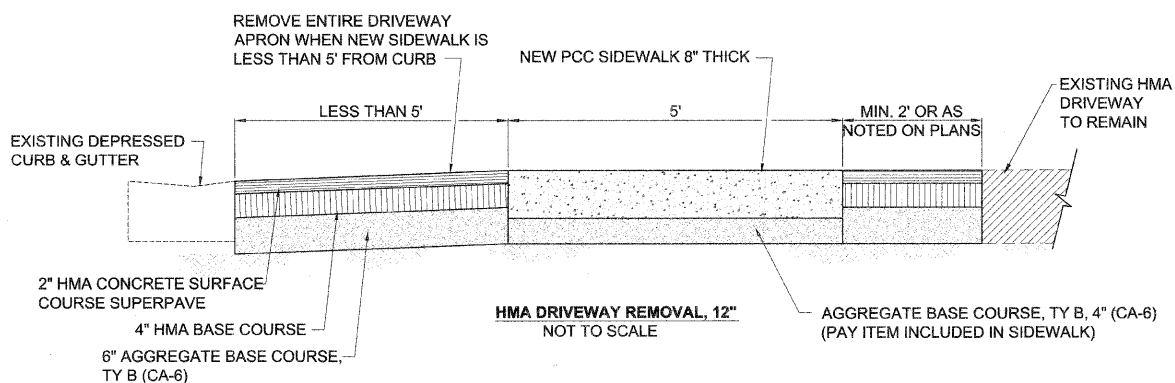
**EXISTING & PROPOSED TYPICAL SECTION**  
NOT TO SCALE  
STATION 24+50 TO STATION 25+10 (N)  
STATION 78+95 TO STATION 79+36 (S)



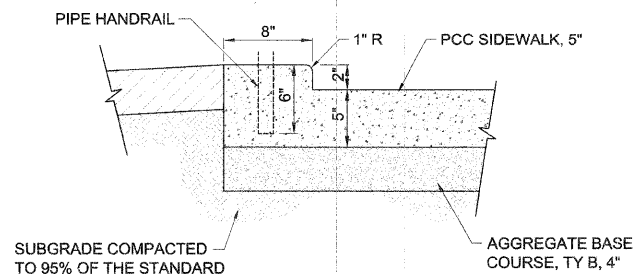
**EXISTING & PROPOSED TYPICAL SECTION**  
NOT TO SCALE



**ADA SLOPE REQUIREMENTS**  
NOT TO SCALE



**EXISTING & PROPOSED TYPICAL SECTION**  
NOT TO SCALE





**MONOLITHIC CURB**  
DETAIL  
NOT TO SCALE

Scale For Microfitting

Inches

COPYRIGHT © 2005 BURNS AND McDONNELL ENGINEERING COMPANY, INC.

A  
B  
C  
D  
E  
F  
G  
H  
I  
J

	
date 09-14-07	detailed G. ALVAREZ
designed M. KUNTZ	checked
	
VILLAGE OF DOWNERS GROVE US 34 (OGDEN AVE) SIDEWALK IMPROVEMENTS EXISTING AND PROPOSED TYPICAL SECTIONS	
project 39863	contract
drawing <b>C102</b>	rev.
sheet 3	of 19 sheets
file I:\DOWNERS GROVE\39863\CAD\BID\C102	