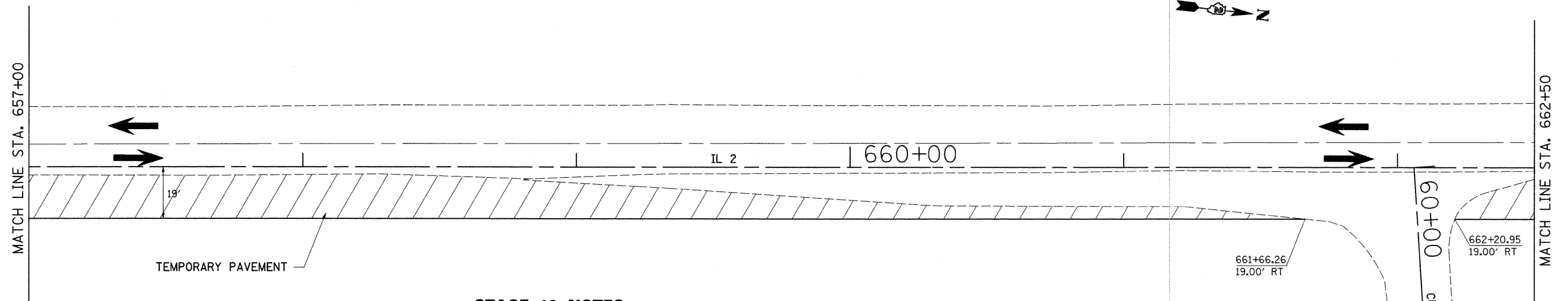
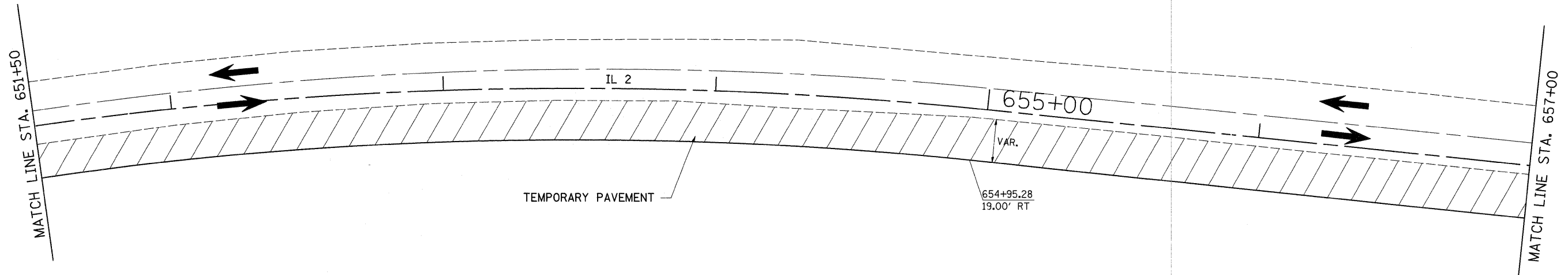


STAGE 10

STA. 628 + 29 - 673 + 00



STAGE 10 NOTES

1. USE STANDARD 701326. SEE STANDARDS FOR ADDITIONAL SIGNING AND DEVICES NOT SHOWN IN DETAILS.
2. CONSTRUCT TEMPORARY PAVEMENT FROM STA. 629+44 TO 669+50.

	= WORK AREA
	= TYPE III BARRICADE WITH FLASHING LIGHTS
	= SIGN

FILE NAME =	USER NAME = cushmanbw	DESIGNED -	REVISED -
ci:\pwork\pwork\DOT\CUSHMANBW\dms34123\6496stg69.dgn		DRAWN -	REVISED -
PLOT SCALE = 20,0000 / IN.		CHECKED -	REVISED -
PLOT DATE = Fri May 01 07:36:58 2009		DATE -	REVISED -

**STATE OF ILLINOIS
DEPARTMENT OF TRANSPORTATION**

STAGE 10

SCALE:	SHEET NO. OF SHEETS	STA. TO STA.	F.A.P. RTE. 742	SECTION 37RS-3	COUNTY OGLE	TOTAL SHEETS 345	SHEET NO. 97
CONTRACT NO. 84788						FED. ROAD DIST. NO. [ILLINOIS] FED. AID PROJECT	