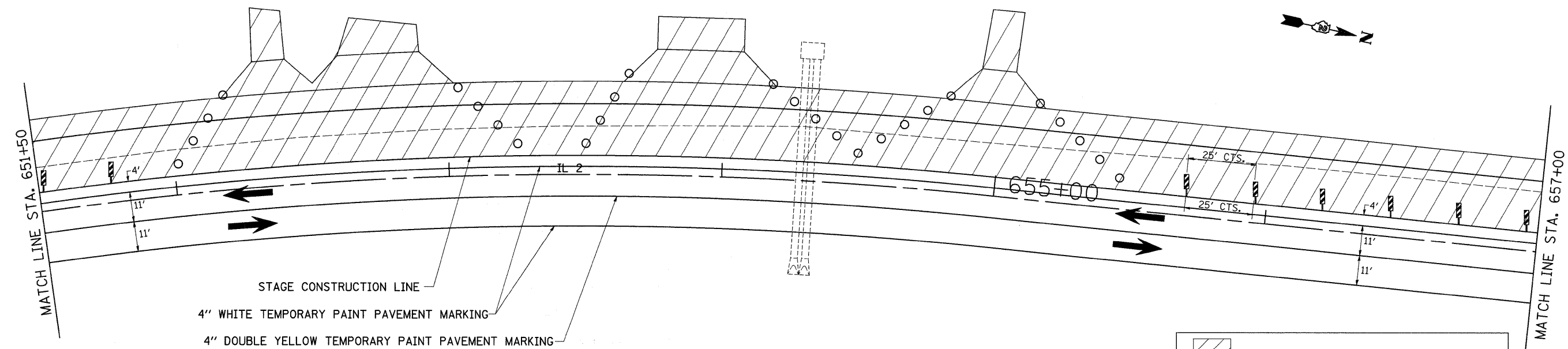
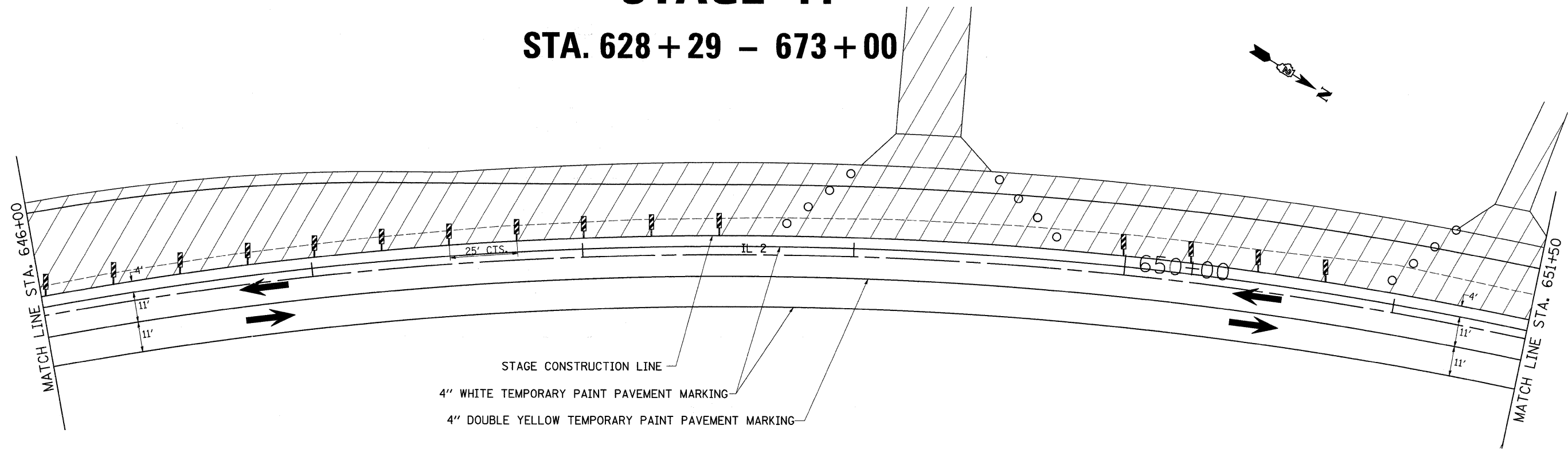


STAGE 11

STA. 628+29 - 673+00



STAGE 11 NOTES

1. USE STANDARD 701331. SEE STANDARDS FOR ADDITIONAL SIGNING AND DEVICES NOT SHOWN IN DETAILS.
2. CLOSE SIDEROADS "BLACKHAWK VISTA" AND "CARTWRIGHT LN." AS SHOWN
3. REMOVAL OF EXISTING PAVEMENT FROM STA. 628+29 TO 673+00 TO STAGE LINE.
4. CONSTRUCT SUB-BASE GRANULAR MATERIAL TYPE A.
5. CONSTRUCT STORM SEWER, INLETS AND COMBINATION CONCRETE CURB & GUTTER.
6. CONSTRUCT PCC PAVEMENT (JOINTED) & PCC SHOULDERS.

	= WORK AREA
	= TYPE III BARRICADE WITH FLASHING LIGHTS
	= SIGN
	= BARRICADE, OR DRUM WITH STEADY BURNING LIGHTS
	= VERTICAL PANEL OR VERTICAL BARRICADE

FILE NAME =	USER NAME = cushmanbw	DESIGNED -	REVISED -
es:\pw_work\VP\IDOT\CUSHMANBW\dms34123\0606486atg69.dgn		DRAWN -	REVISED -
PLOT SCALE = 20,0000' / IN.		CHECKED -	REVISED -
PLOT DATE = Fri May 01 07:37:56 2009		DATE -	REVISED -

STATE OF ILLINOIS
DEPARTMENT OF TRANSPORTATION

STAGE 11

SCALE:	SHEET NO. OF SHEETS	STA. TO STA.	F.A.P. RTE. 742	SECTION 37RS-3	COUNTY OGLE	TOTAL SHEETS 345	SHEET NO. 102
			CONTRACT NO. 84788				
			FED. ROAD DIST. NO. ILLINOIS FED. AID PROJECT				