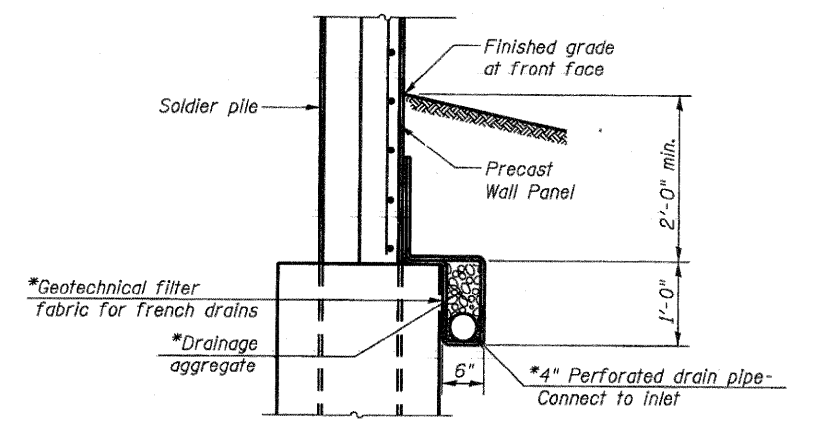
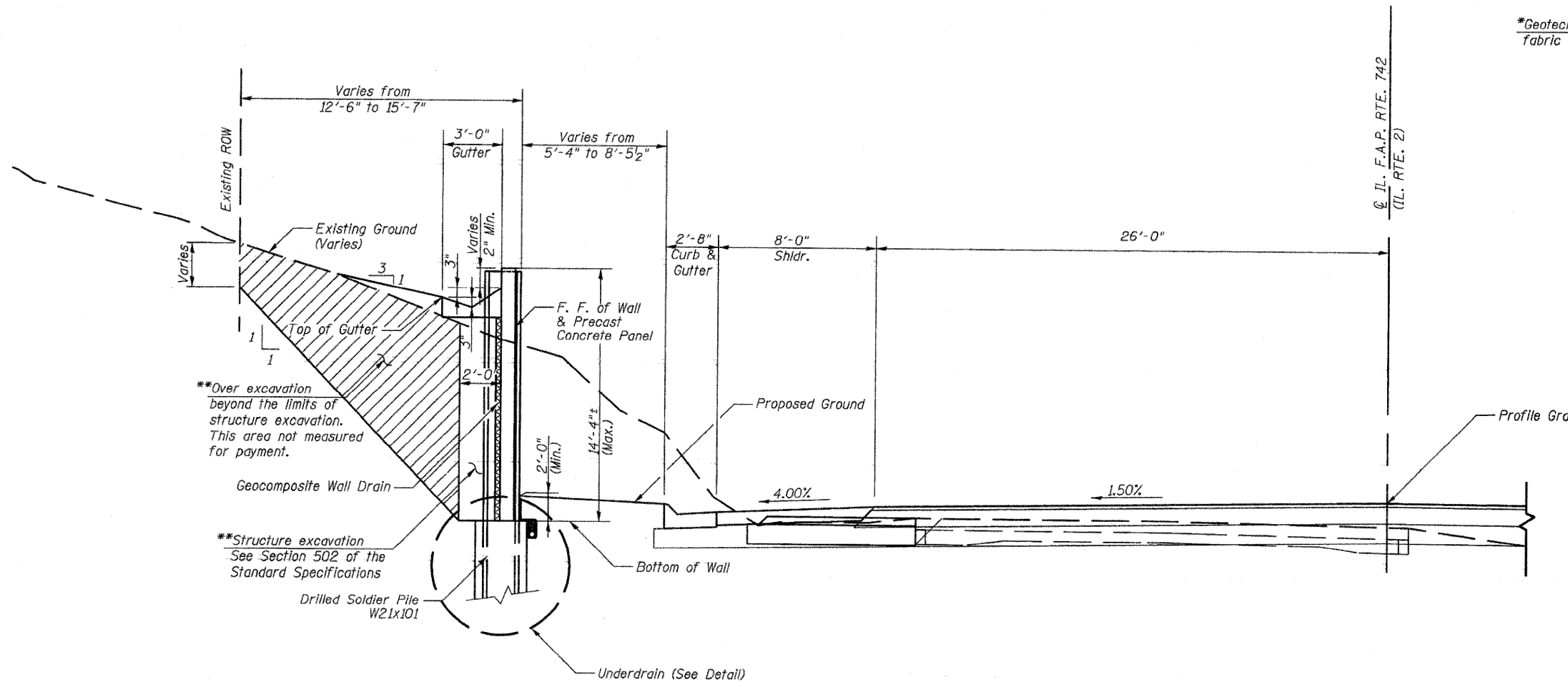
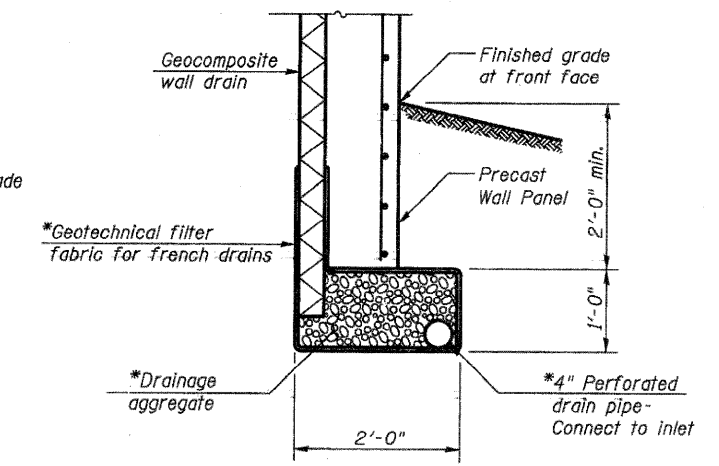


STATE OF ILLINOIS  
DEPARTMENT OF TRANSPORTATION



**UNDERDRAIN DETAIL  
AT SOLDIER PILES**



**UNDERDRAIN DETAIL  
BETWEEN SOLDIER PILES**

\*\*Over excavation beyond the limits of structure excavation. This area not measured for payment.

\*\*Structure excavation See Section 502 of the Standard Specifications

- \* Included in the cost of pipe underdrains for structures.
- \*\* Backfill remainder of structure excavation and over excavation with same material specified for roadway embankment.

**RETAINING WALL TYPICAL SECTION  
STA. 673+17.00 TO STA. 675+22.00  
(LOOKING NORTH)**

Note:  
See Sheet 4 of 9 for W21x101 location and spacing.  
Precast panels will be finished with a uniform Ashlar Stone pattern with a horizontal break every 1'-0" vertically. See sheet 5 of 9.

**WALL SECTION  
IL. RTE. 2  
RETAINING WALL C  
STA. 673+17.00 TO STA. 675+22.00**

DESIGNED	DFM
CHECKED	DSG
DRAWN	DSG
CHECKED	DFM

Howard R. Green Company

SHEET NO. 3 9 SHEETS	F.A.P. RTE.	SECTION	COUNTY	TOTAL SHEETS	SHEET NO.
	742	37 R-3	OGLE	345	175
SN 071-7001			CONTRACT NO. 84788		
FED. ROAD DIST. NO. 7 ILLINOIS FED. AID PROJECT					