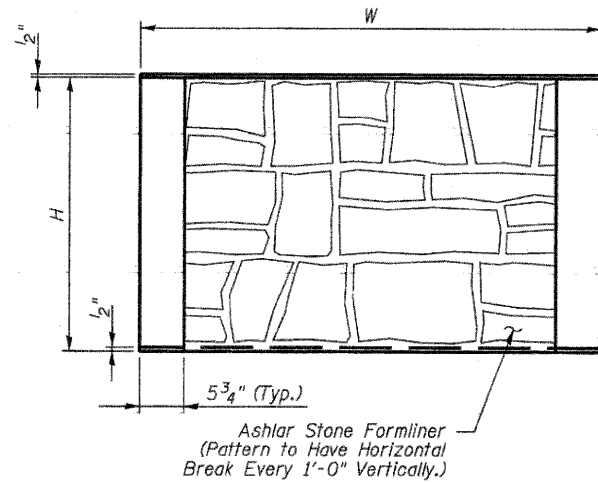
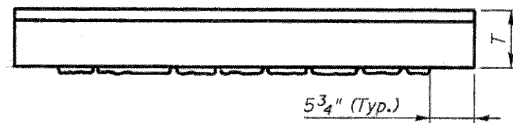


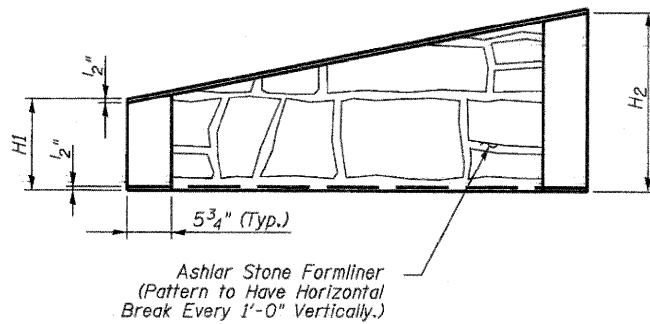
STATE OF ILLINOIS  
DEPARTMENT OF TRANSPORTATION



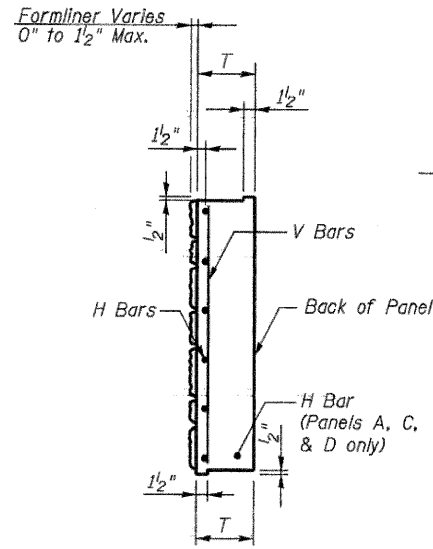
**TYPICAL PANEL ELEVATION**



**PANEL TOP VIEW**



**SLOPED PANEL ELEVATION**  
(Left end low shown.  
Right end low opp. hand.)



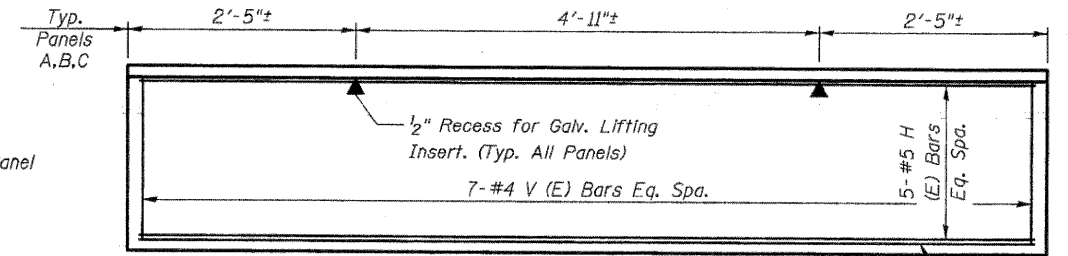
**PANEL END VIEW**

**PANEL DIMENSIONS TABLE**

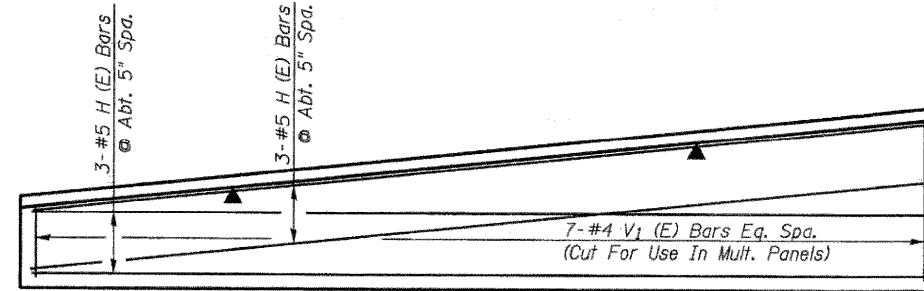
PANEL	H	H1	H2	W	T
A	1'-11 3/4"	-	-	9'-9"	9 1/4"
B	-	11 3/4"	1'-11 3/4"	9'-9"	9 1/4"
C	2'-11 3/4"	-	-	9'-9"	9 1/4"
D	2'-11 3/4"	-	-	4'-9"	7 1/2"
E	1'-11 3/4"	-	-	4'-9"	7 1/2"
F	-	11 3/4"	1'-11 3/4"	4'-9"	7 1/2"
G	-	1'-11 3/4"	11 3/4"	4'-9"	7 1/2"
H	-	3'-11 3/4"	1'-11 3/4"	4'-9"	7 1/2"

DESIGNED	DFM
CHECKED	DSG
DRAWN	DSG
CHECKED	DFM

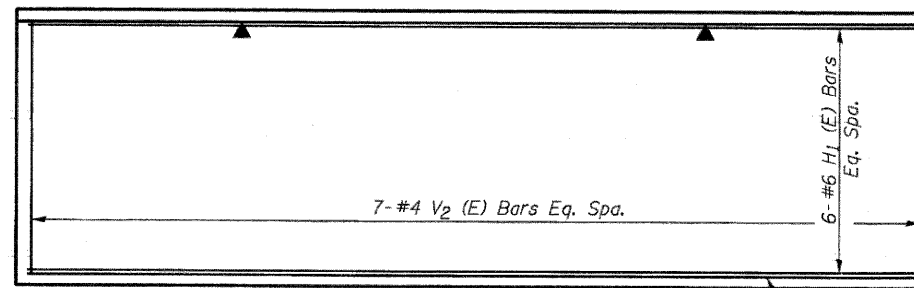
Howard R. Green Company



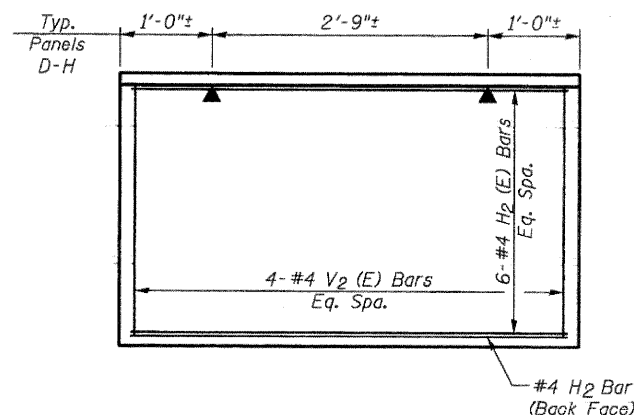
**PANEL A REINFORCEMENT**



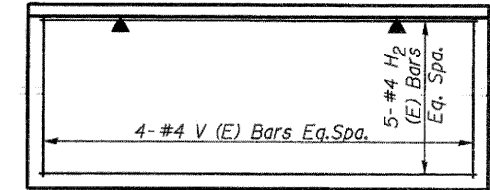
**PANEL B REINFORCEMENT**



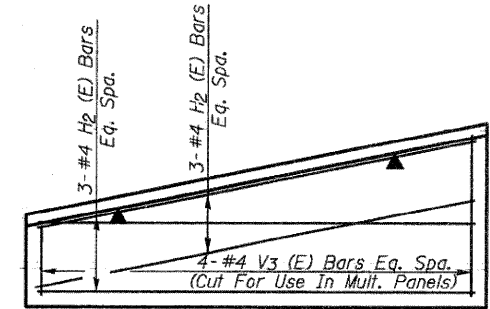
**PANEL C REINFORCEMENT**



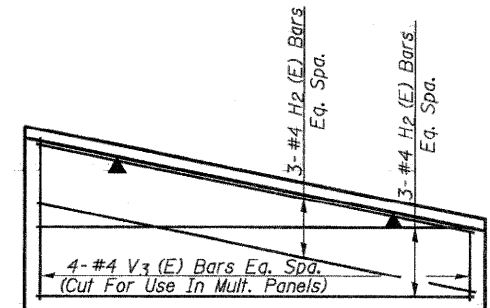
**PANEL D REINFORCEMENT**



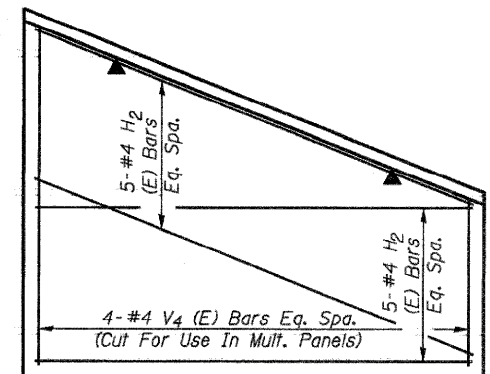
**PANEL E REINFORCEMENT**



**PANEL F REINFORCEMENT**



**PANEL G REINFORCEMENT**



**PANEL H REINFORCEMENT**

**PANEL DETAILS**  
**IL. RTE. 2**  
**RETAINING WALL C**  
**STA. 673+17.00 TO STA. 675+22.00**

SHEET NO. 5 9 SHEETS	F.A.P. RTE. 742	SECTION 37 R-3	COUNTY OGLE	TOTAL SHEETS 345	SHEET NO. 177
	SN 071-7001		CONTRACT NO. 84788		
FED. ROAD DIST. NO. 7   ILLINOIS   FED. AID PROJECT					