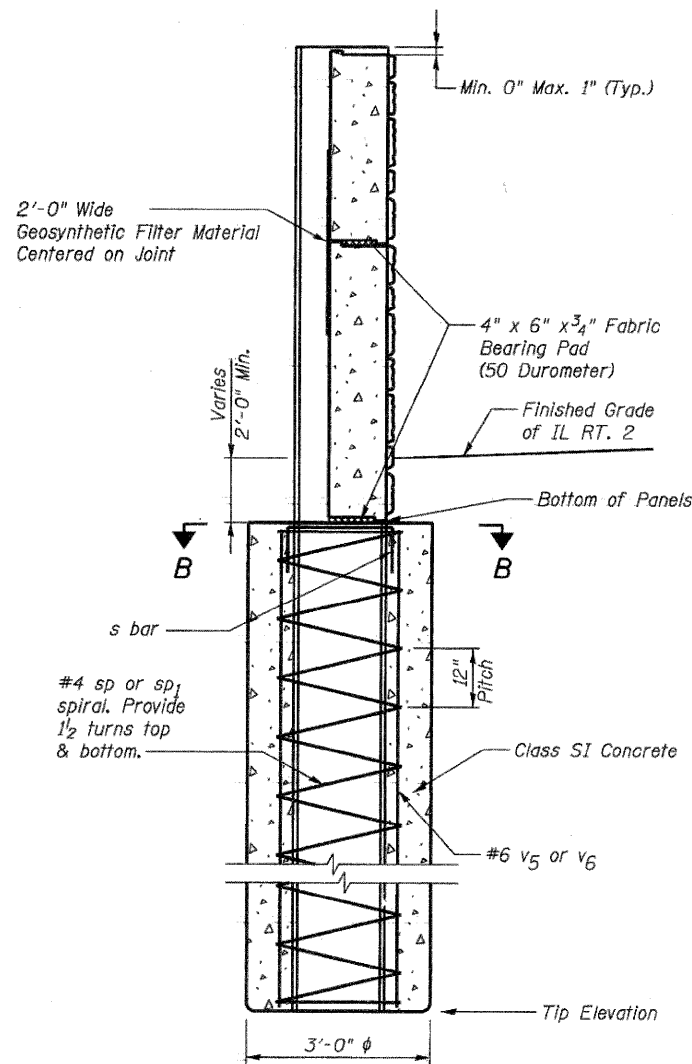
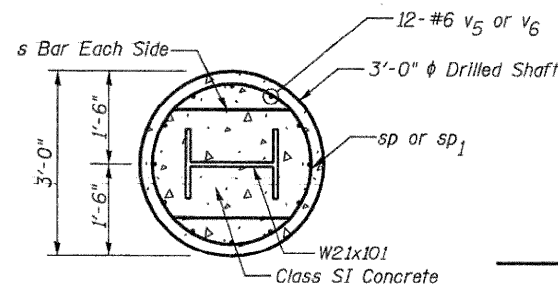


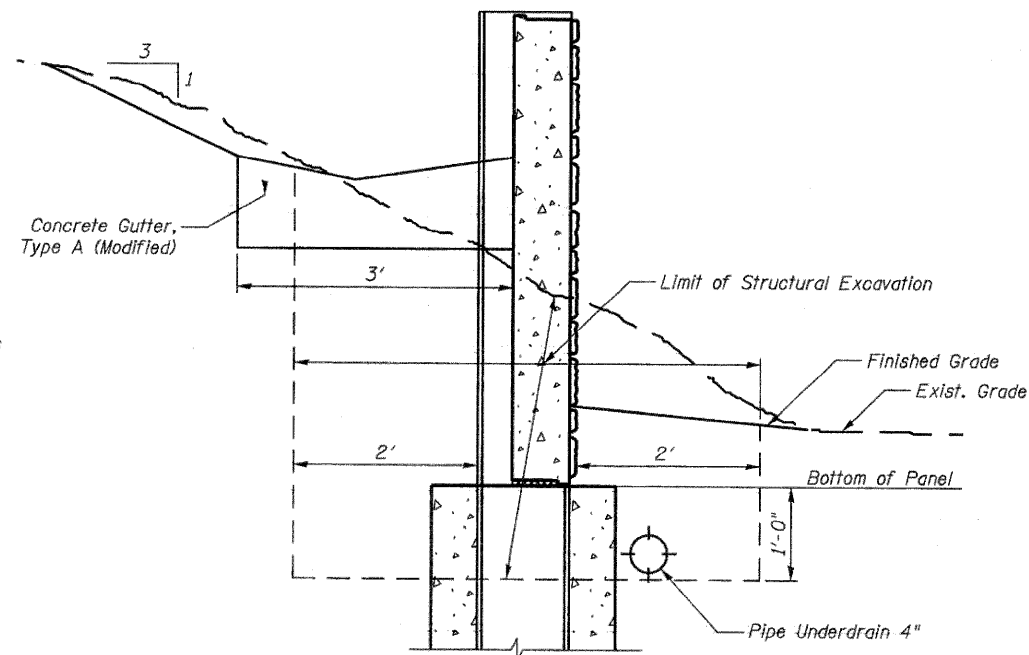
STATE OF ILLINOIS
DEPARTMENT OF TRANSPORTATION



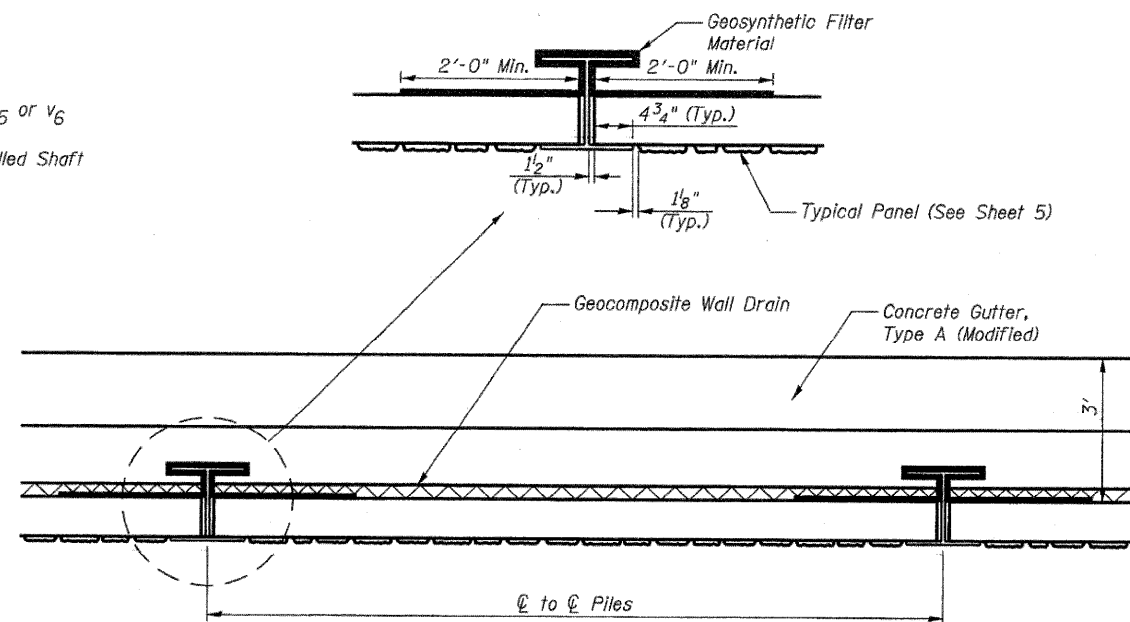
SECTION THROUGH PILE



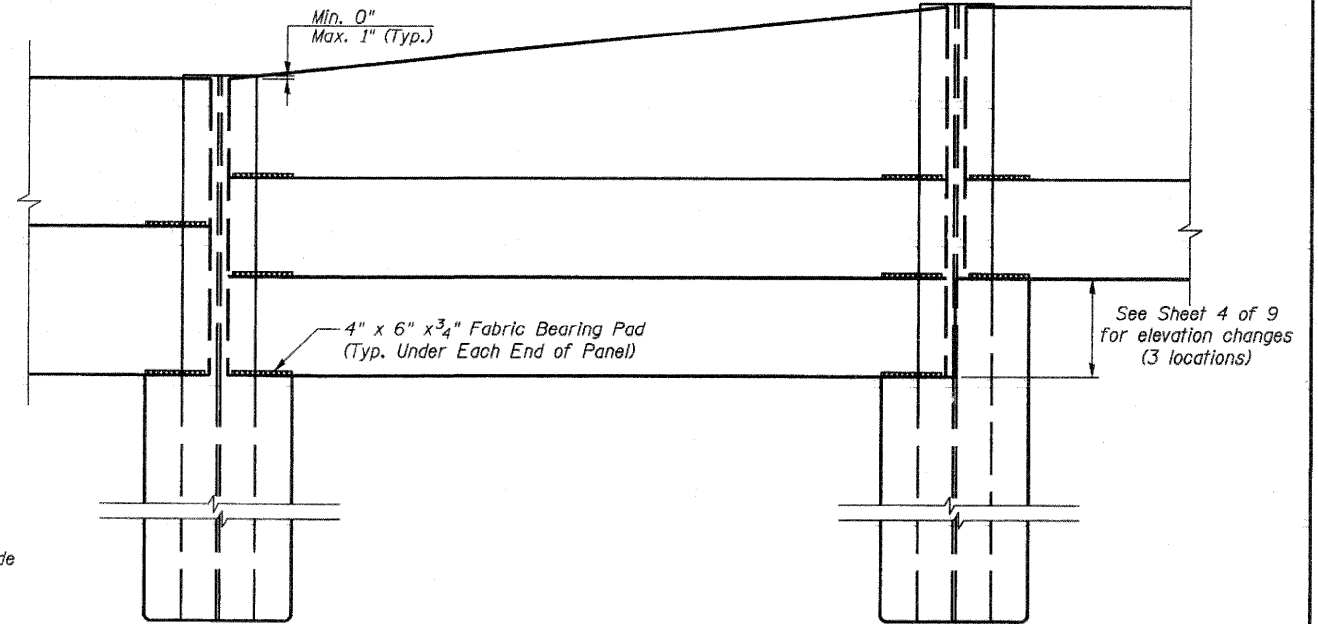
SECTION B-B



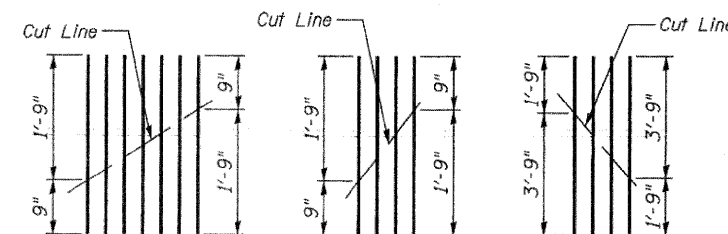
LIMIT OF STRUCTURAL EXCAVATION



PLAN



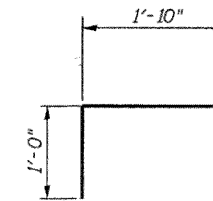
ELEVATION



V1 (E) BARS

V3 (E) BARS

V4 (E) BARS



s BARS

Reinforcement Quantities for information only.
Reinforcement & Concrete for panels and pile
encasement are included in the pay items "Retaining
Wall (Special)" or "Drilling & Setting Soldier Piles".

BILL OF MATERIALS

Bar	No.	Size	Length	Shape
V (E)	160	#4	1'-9"	—
V1(E)	7	#4	2'-6"	—
V2(E)	390	#4	2'-9"	—
V3(E)	20	#4	2'-6"	—
V4(E)	8	#4	5'-6"	—
V5	240	#6	24'-6"	—
V6	216	#6	26'-6"	—
H (E)	62	#5	9'-6"	—
H1(E)	12	#6	9'-6"	—
H2(E)	878	#4	4'-6"	—
** sp	20	#4	24'-6"	⌘
** sp1	18	#4	26'-6"	⌘
s	76	#4	3'-8"	⌘
Reinforcement Bars, Epoxy Coated	Pounds		4020	
Reinforcement Bars	Pounds		24,070	
Concrete Structures	Cu. Yd.		48.6	
Drilling & Setting Soldier Piles	Cu. Ft.		7000	

**Length is height for spiral.

WALL DETAILS

IL. RTE. 2

RETAINING WALL C

STA. 673+17.00 TO STA. 675+22.00

DESIGNED	DFM
CHECKED	DSG
DRAWN	DSG
CHECKED	DFM

Howard R. Green Company

SHEET NO. 6	F.A.P. RTE.	SECTION	COUNTY	TOTAL SHEETS	SHEET NO.
	742	37 R-3	OGLE	345	178
9 SHEETS	SN 071-7001		CONTRACT NO. 84788		
FED. ROAD DIST. NO. 7		ILLINOIS	FED. AID PROJECT		