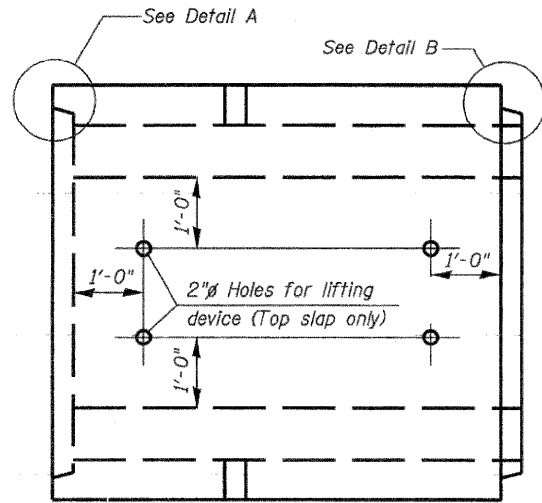
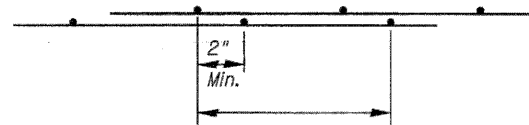


STATE OF ILLINOIS  
DEPARTMENT OF TRANSPORTATION

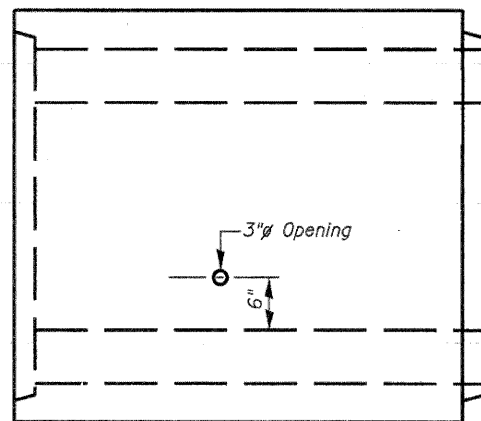


**PLAN**

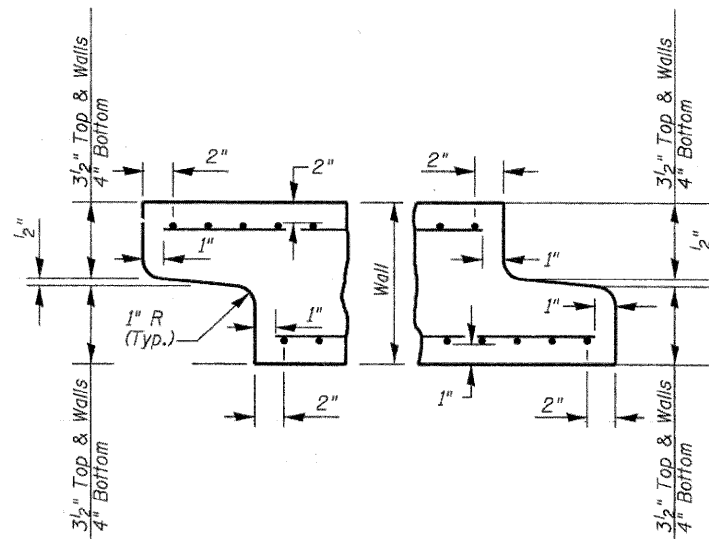
Location of lifting holes may be varied as needed to clear reinf.



**TYP. FABRIC LAP**



**ELEVATION**



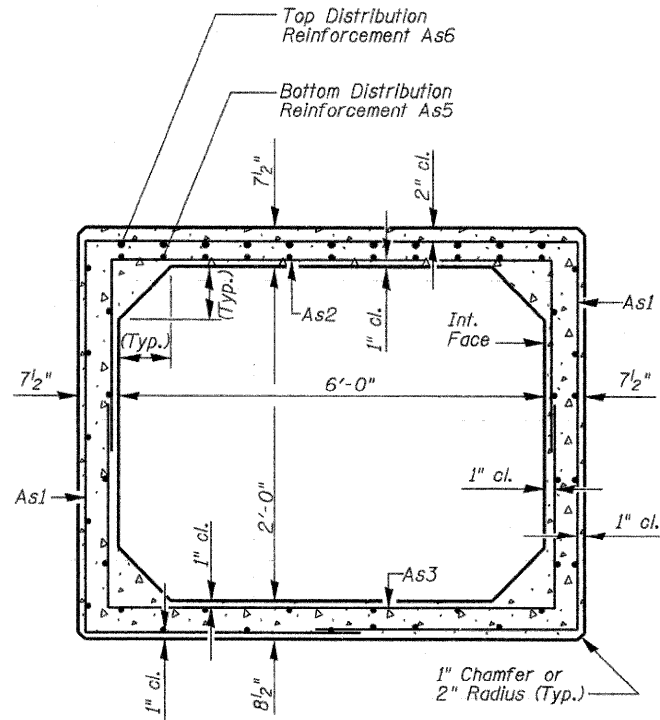
**DETAIL A**

(Typ. Inlet End)

**DETAIL B**

(Typ. Outlet End)

Note: Inlet and outlet ends shall be compatible.



**CROSS SECTION**

**GENERAL NOTES**

Precast Concrete Box Culvert sections shall conform to the requirements of Article 540.0 of the Standard Specifications and the applicable requirements of AASHTO M 273.

The minimum concrete strength shall be 5,000 psi.

Reinforcement bars shall conform to the requirements of AASHTO M 31, M 42, or M 53 Grade 60.

Lifting holes shall be filled with concrete plugs and mastic after box sections are in place.

**REQUIRED AASHTO STEEL AREAS (in<sup>2</sup>/ft.)**

As1	0.496	As5	0.215
As2	0.400	As6	0.200
As3	0.400	As7	—
As4	—	As8	—

**REINFORCEMENT PROVIDED**

(To be filled out during construction)

REINFORCEMENT PROVIDED	AREA (in <sup>2</sup> /ft.)
As1	___ x ___ W ___ x W ___ = ___
As2	___ x ___ W ___ x W ___ = ___
As3	___ x ___ W ___ x W ___ = ___
As4	provided by As2 and As3
As5	___ = ___
As6	___ = ___
As7	provided by As1
As8	provided by As1

**BILL OF MATERIAL**

ITEM	UNIT	TOTAL
Precast Concrete Box Culvert 6' X 2' (Special)	Ft.	77

**BARREL DETAILS**  
**IL. RTE. 2 OVER**  
**TRIBUTARY TO ROCK RIVER**  
**STA. 659+22.00**

DESIGNED	CTH
CHECKED	DSG
DRAWN	EBS
CHECKED	DFM

Howard R. Green Company

SHEET NO. 3	F.A.P. RTE.	SECTION	COUNTY	TOTAL SHEETS	SHEET NO.
	742	37 R-3	OGLE	345	188
3 SHEETS	SN 071-1126		CONTRACT NO. 84788		
FED. ROAD DIST. NO. 7 ILLINOIS FED. AID PROJECT					