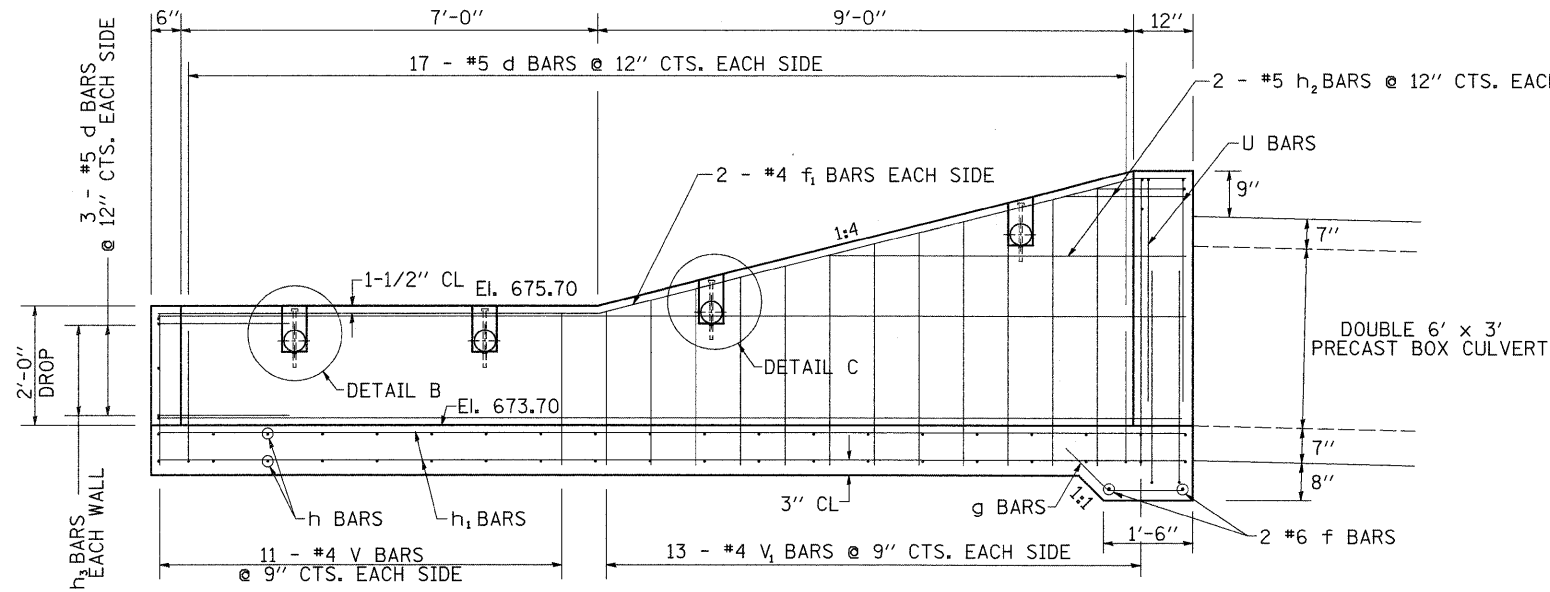
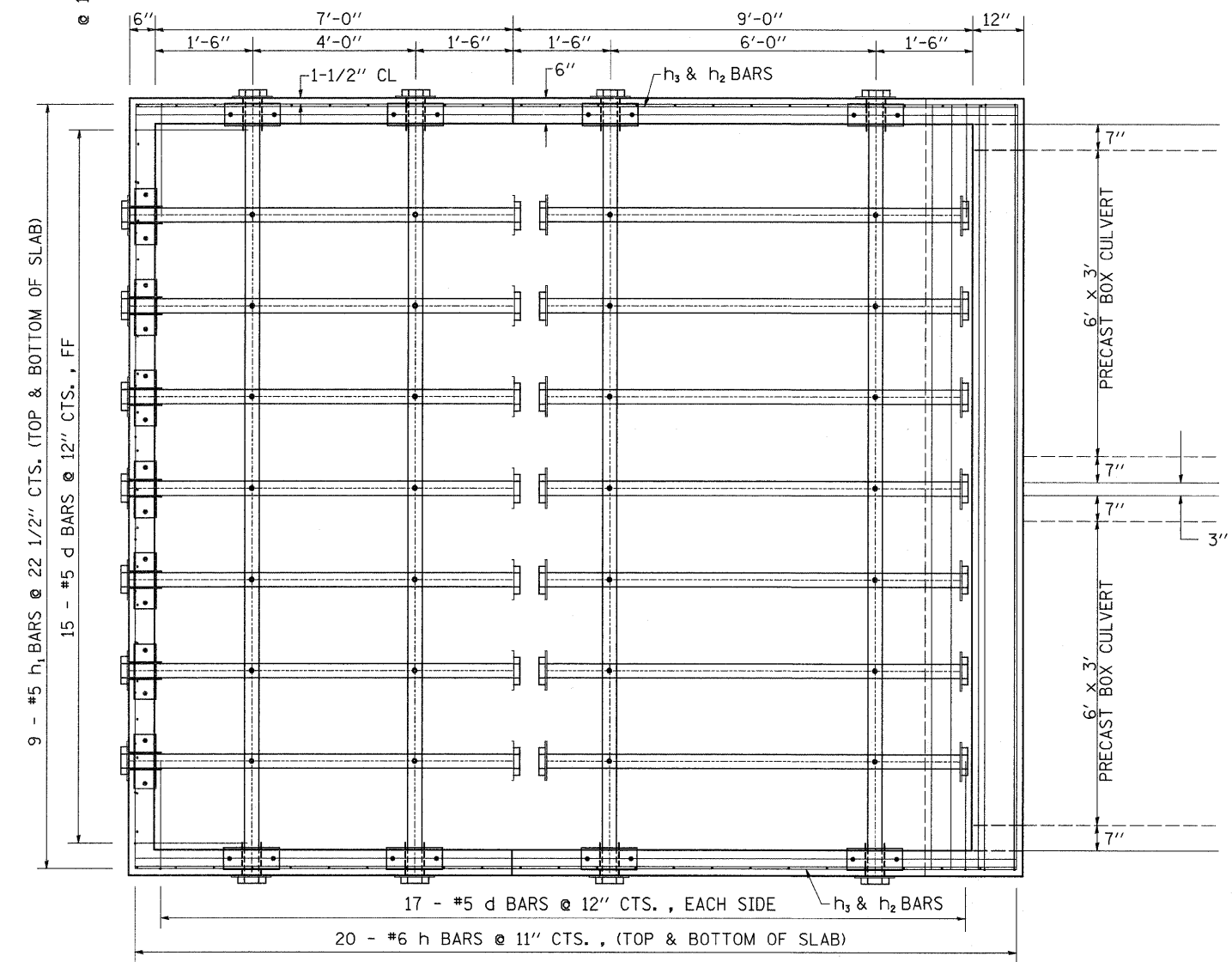


DROP BOX NO. 1

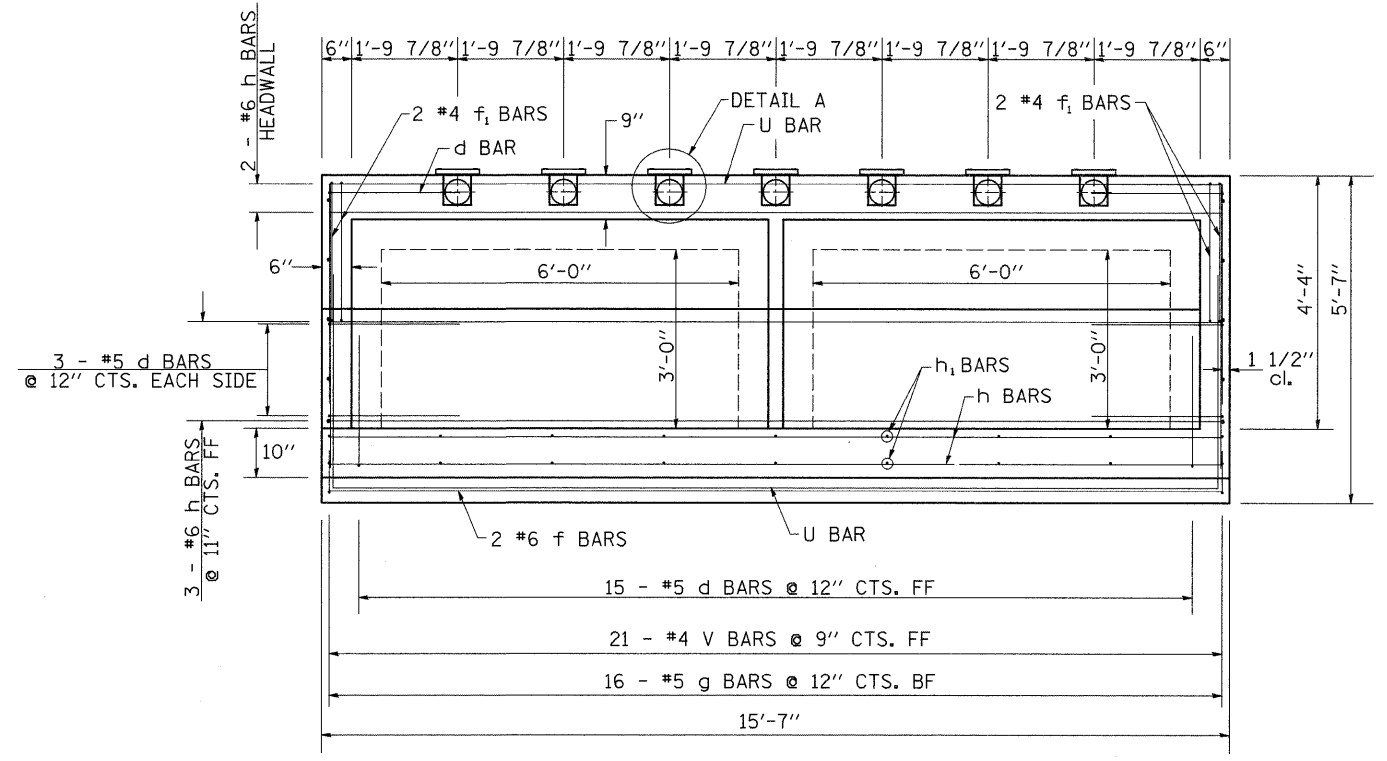
LT STA 615+22



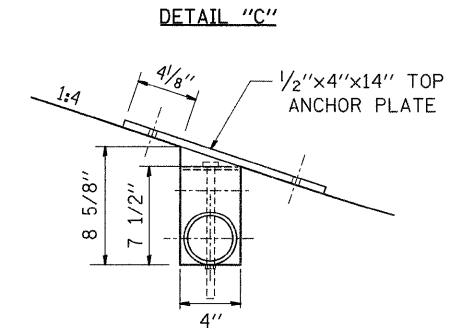
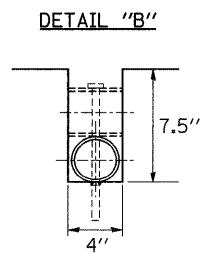
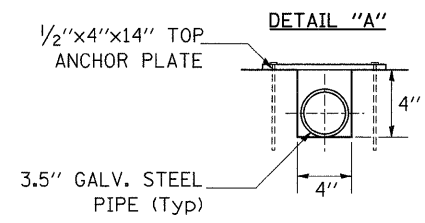
SIDEWALLS



BOTTOM SLAB



FRONT VIEW



FILE NAME =	USER NAME = cushmanbw	DESIGNED -	REVISED -	STATE OF ILLINOIS DEPARTMENT OF TRANSPORTATION	DROP BOX NO. 1			F.A.P. RTE.	SECTION	COUNTY	TOTAL SHEETS	SHEET NO.
ct:\pw_work\FWIDDOT\CUSHMANBW\dms34123\dms34123.dgn	PLOT SCALE = 50.0000' / IN.	DRAWN -	REVISED -					742	37R-3	OGLE	345	196
PLOT DATE = Fri May 01 08:27:28 2009	DATE -	CHECKED -	REVISED -					CONTRACT NO. 84788				
		DATE -	REVISED -					SCALE:	SHEET NO.	OF SHEETS	STA.	TO STA.