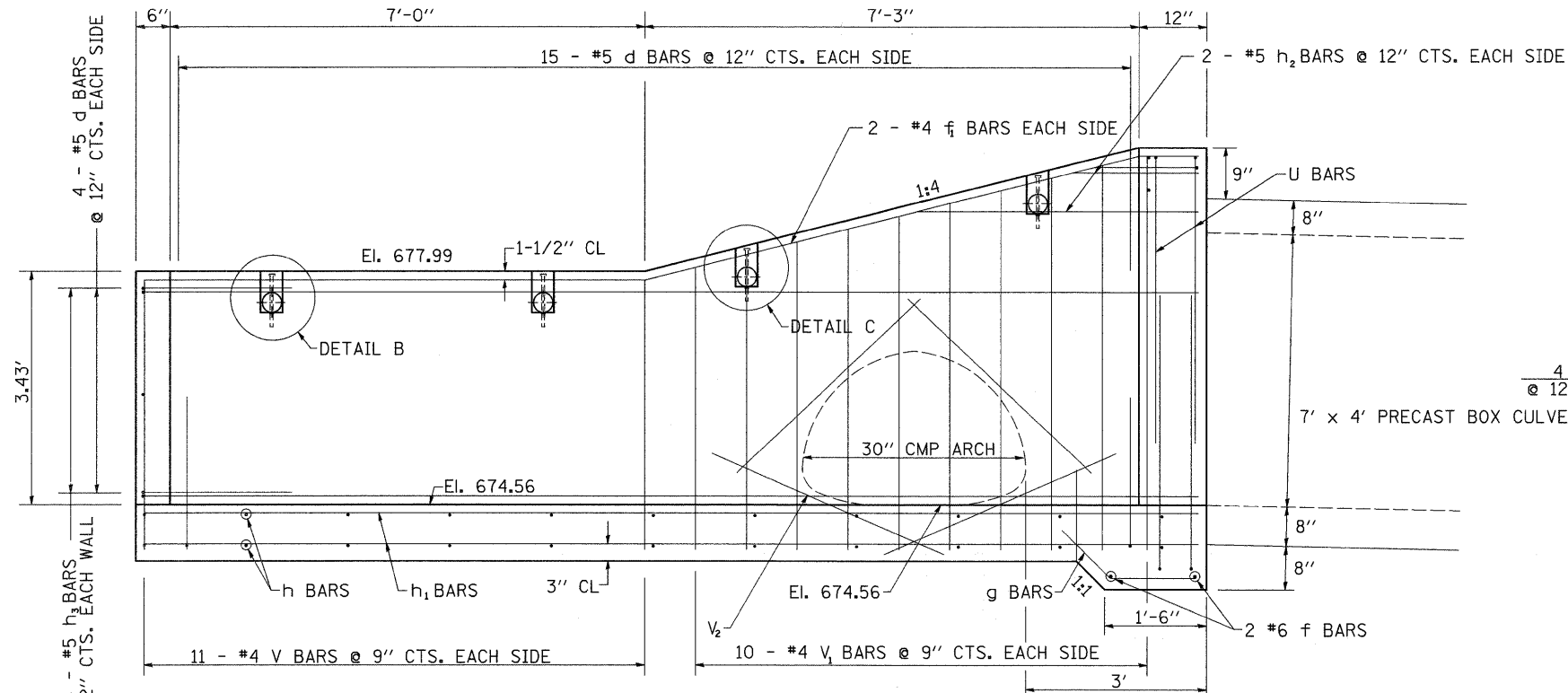
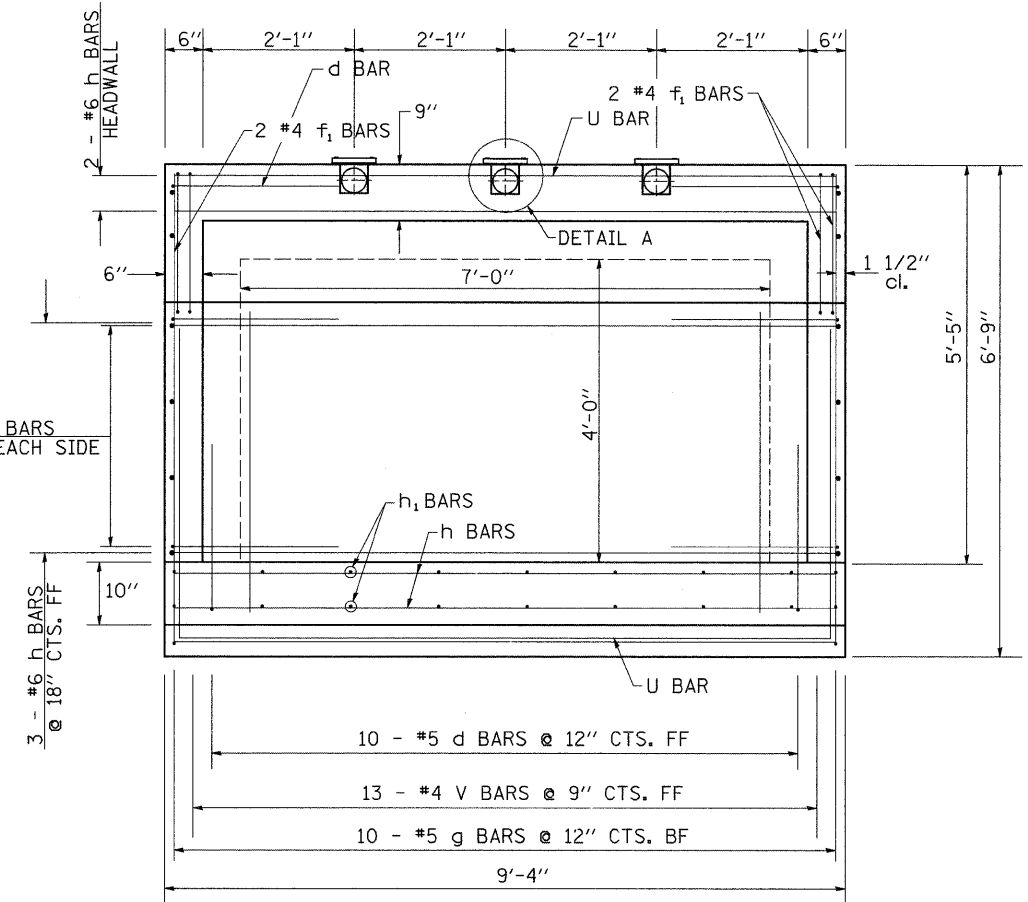


DROP BOX NO. 2

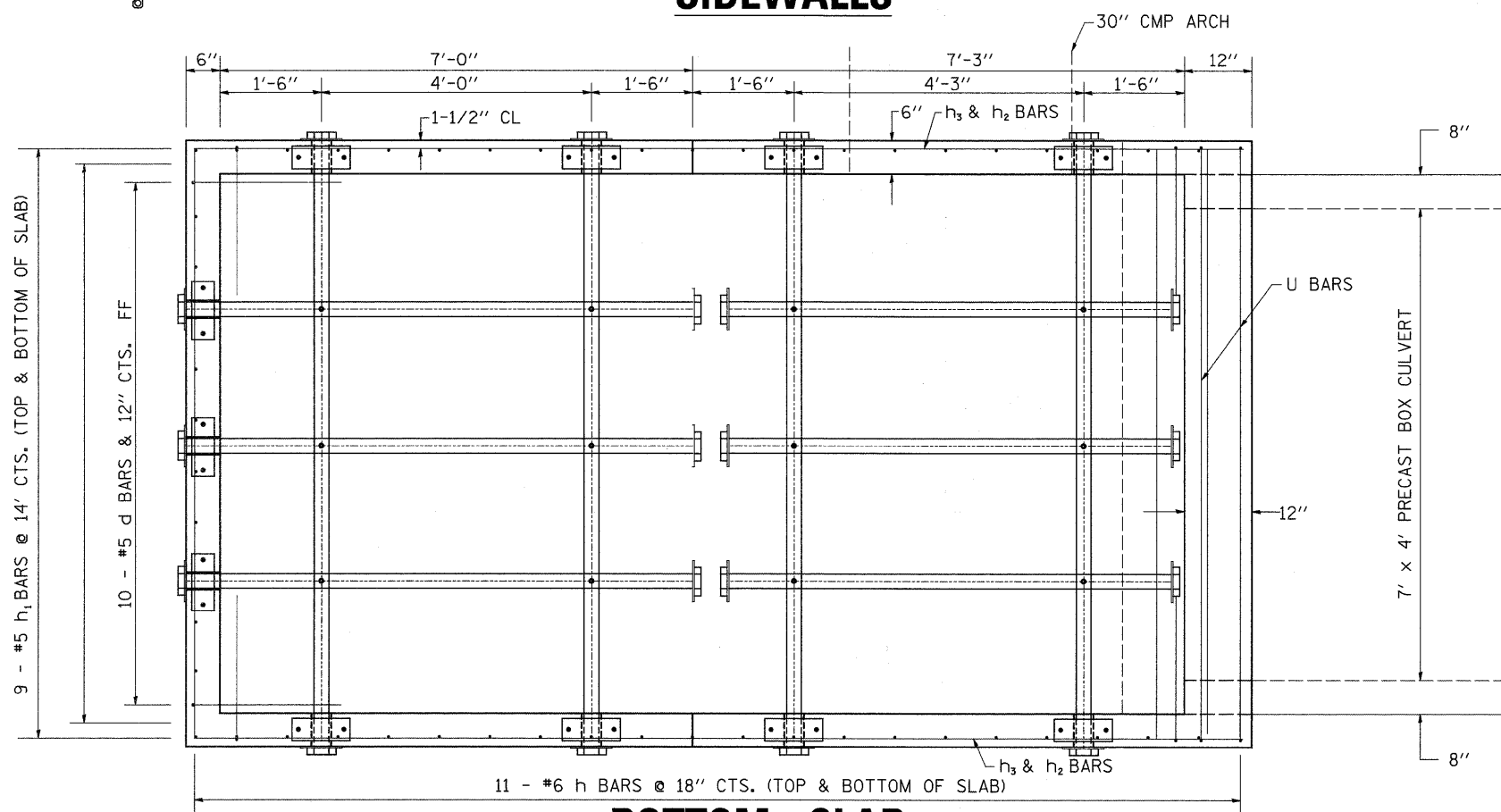
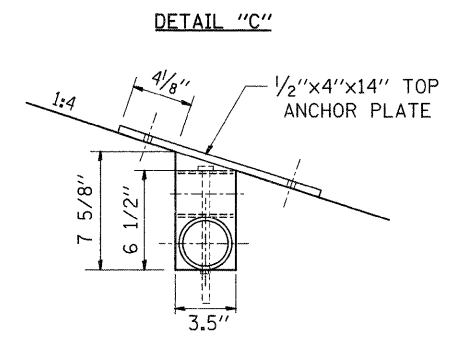
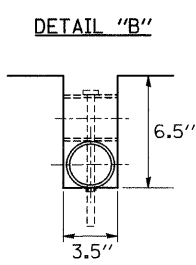
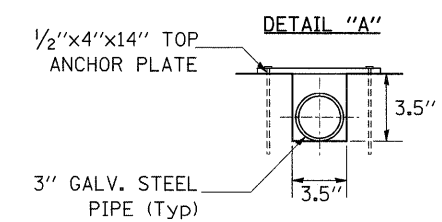
LT STA 626 + 61



SIDEWALLS



FRONT VIEW



BOTTOM SLAB

FILE NAME =	USER NAME = cushmanbw	DESIGNED -	REVISED -	STATE OF ILLINOIS DEPARTMENT OF TRANSPORTATION	DROP BOX NO. 2	F.A.P. RTE.	SECTION	COUNTY	TOTAL SHEETS	SHEET NO.	
ct:\pw_work\PWIDOT\CUSHMANBW\dms34123\06486culv.dgn	PLOT SCALE = 50.0000' / IN.	DRAWN -	REVISED -			742	37R-3	OGLE	345	198	
PLOT DATE = Fri May 01 08:27:29 2009	DATE -	CHECKED -	REVISED -			CONTRACT NO. 84788					
		DATE -	REVISED -			SCALE:	SHEET NO.	OF	SHEETS	STA.	TO STA.