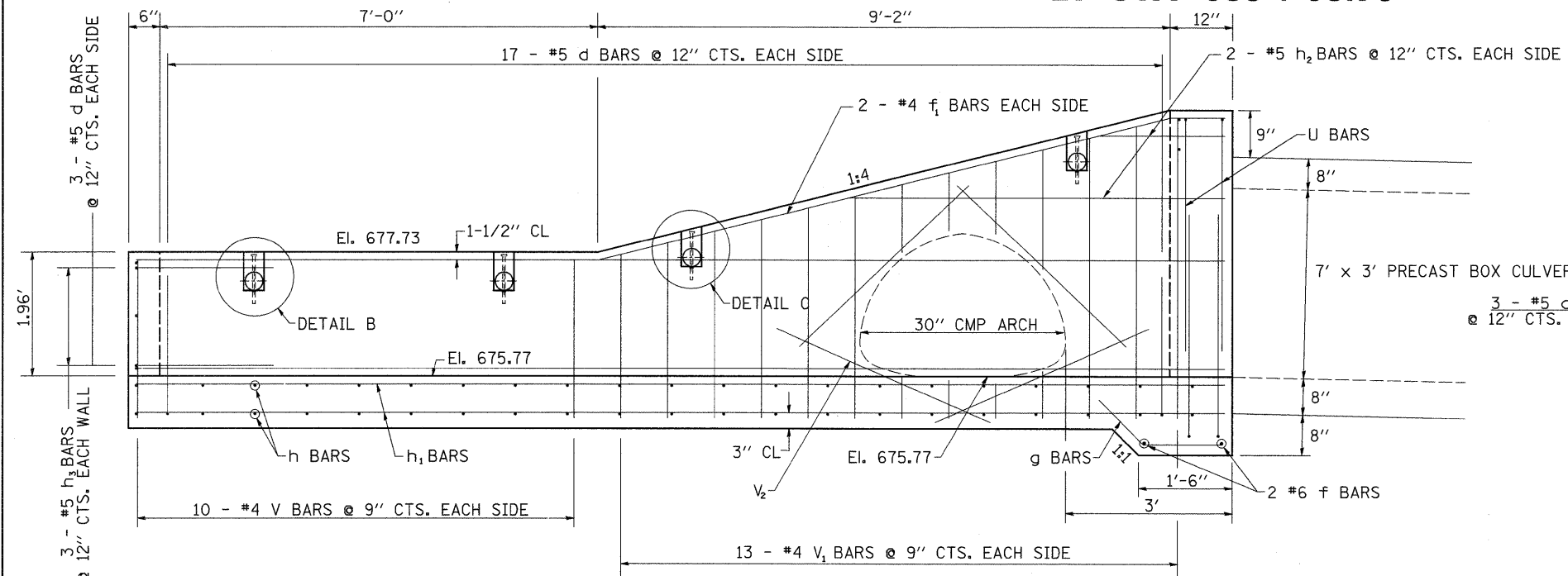
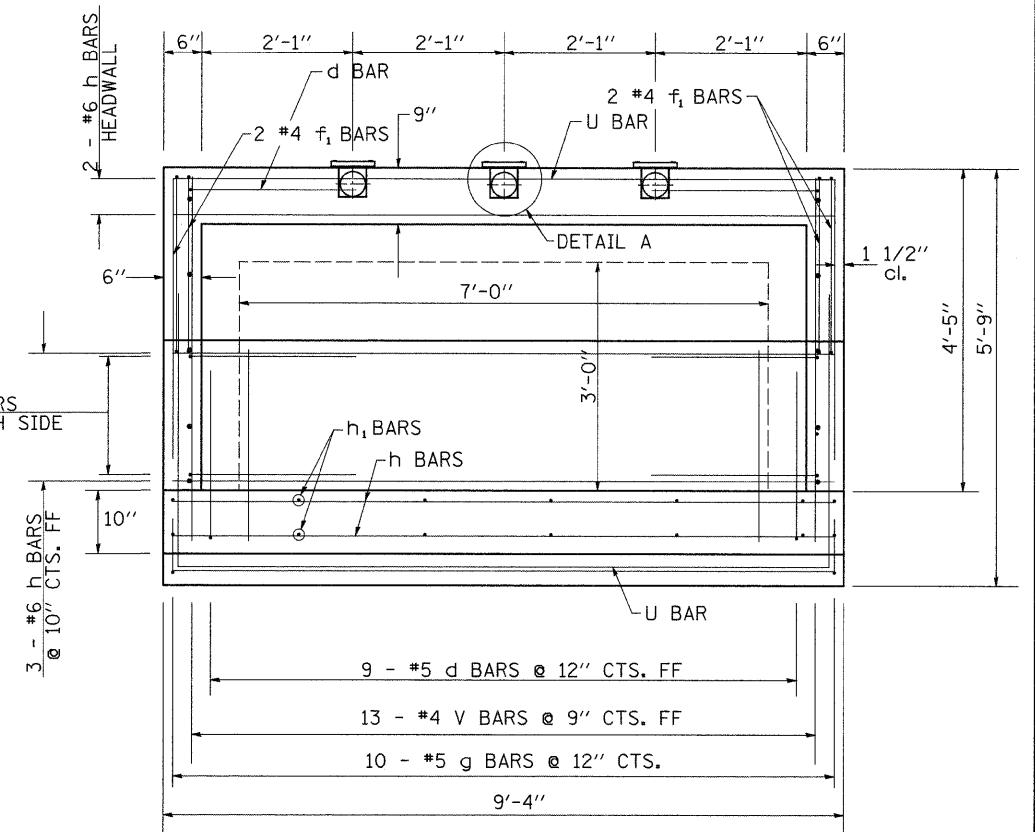


# DROP BOX NO. 3

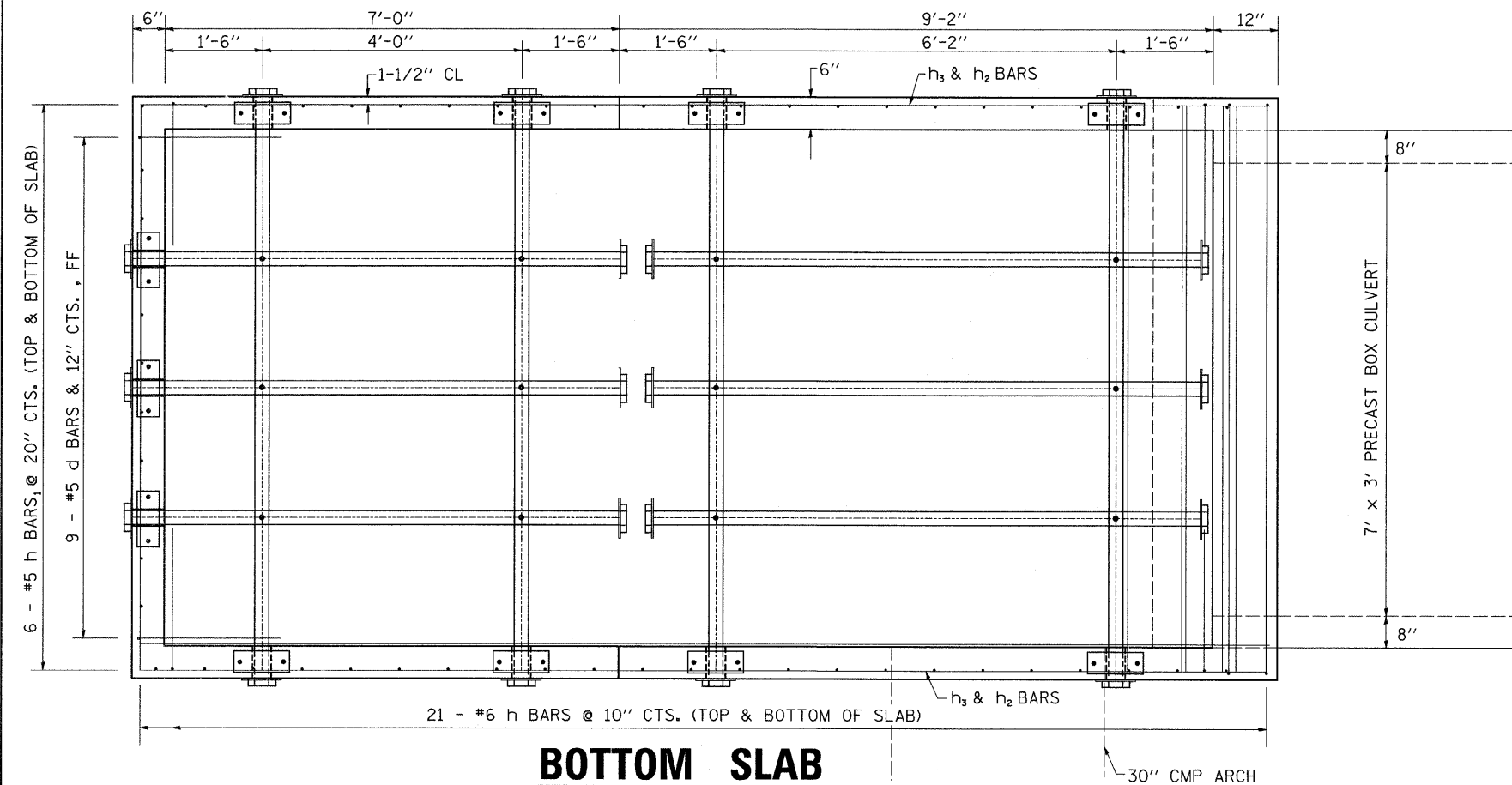
## LT STA 635 + 63.70



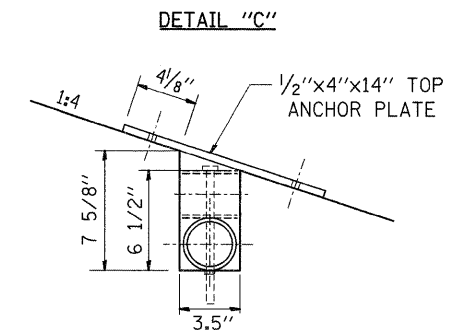
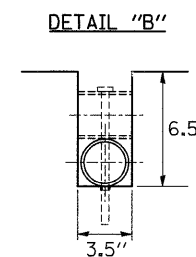
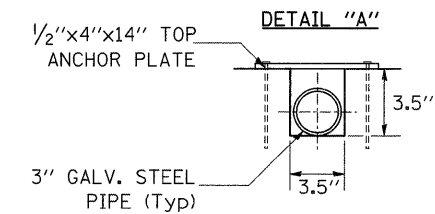
**SIDEWALLS**



**FRONT VIEW**



**BOTTOM SLAB**



FILE NAME =	USER NAME = cushmanbw	DESIGNED -	REVISED -	<b>STATE OF ILLINOIS DEPARTMENT OF TRANSPORTATION</b>	<b>DROP BOX NO. 3</b>			F.A.P. RTE.	SECTION	COUNTY	TOTAL SHEETS	SHEET NO.
al\pw_work\PWIDOT\CUSHMANBW\dms34123\dms34123.dwg	6486culv.dgn	DRAWN -	REVISED -					742	37R-3	OGLE	345	200
	PLOT SCALE = 50.0000' / IN.	CHECKED -	REVISED -		CONTRACT NO. 84788							
	PLOT DATE = Fri May 01 08:27:30 2009	DATE -	REVISED -		SCALE:	SHEET NO.	OF	SHEETS	STA.	TO STA.	FED. ROAD DIST. NO.	ILLINOIS FED. AID PROJECT