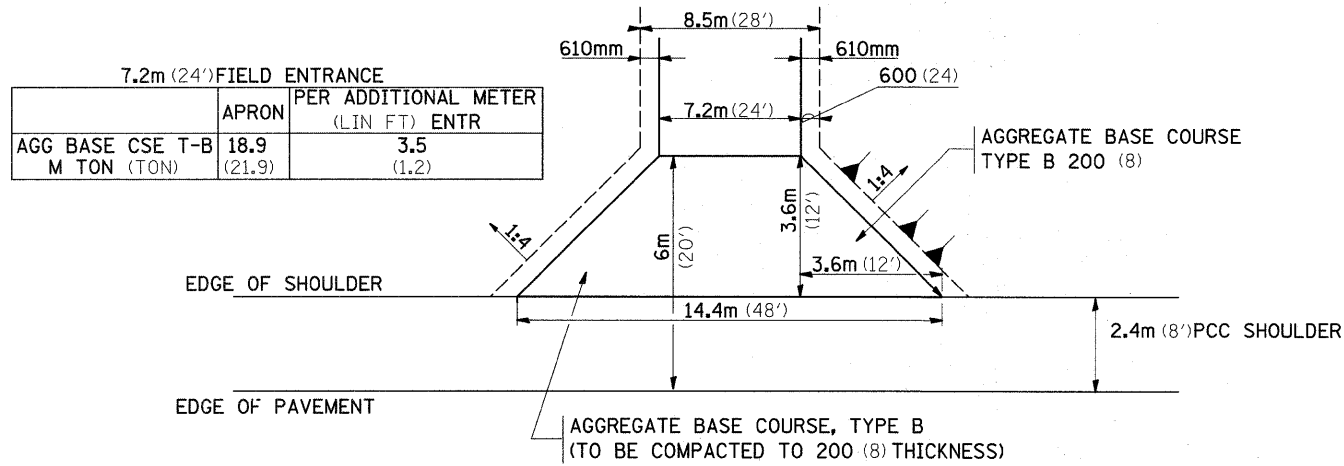
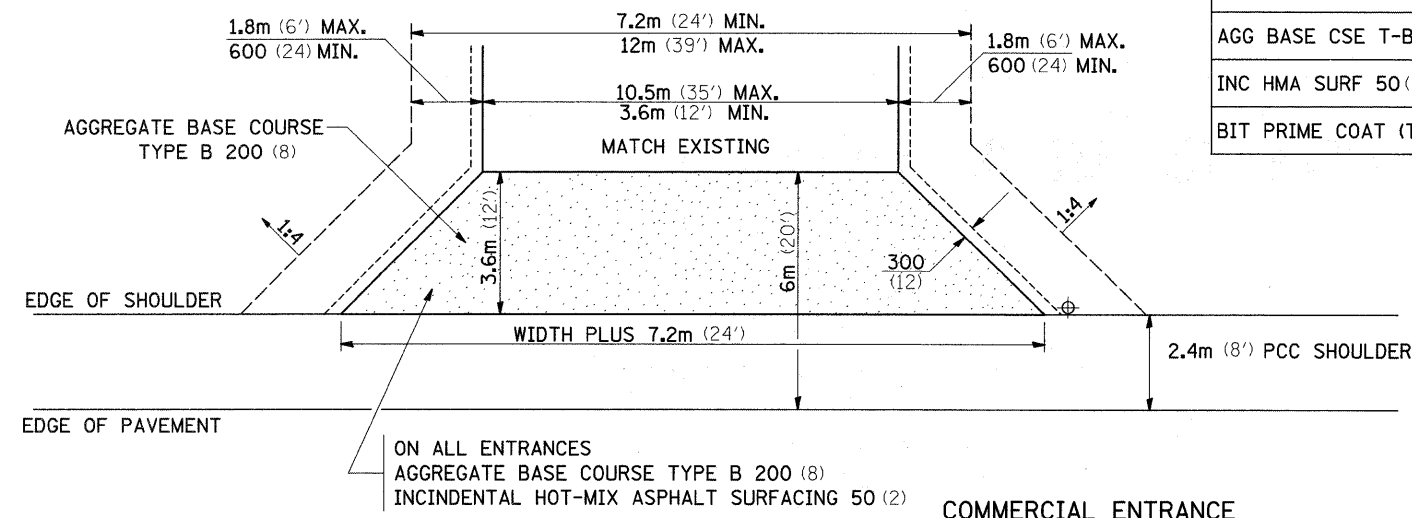


ENTRANCES AND SIDEROADS WITH 8' PCC SHOULDERS



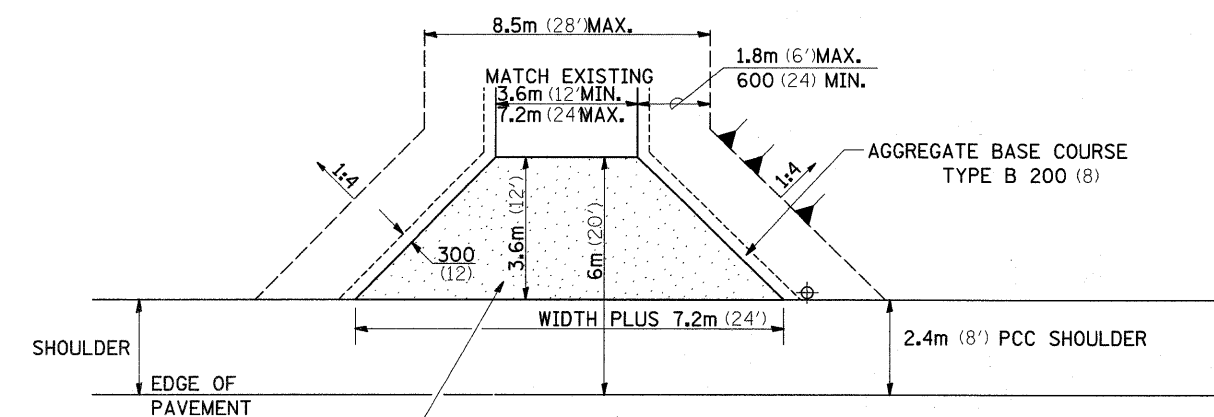
FIELD ENTRANCE



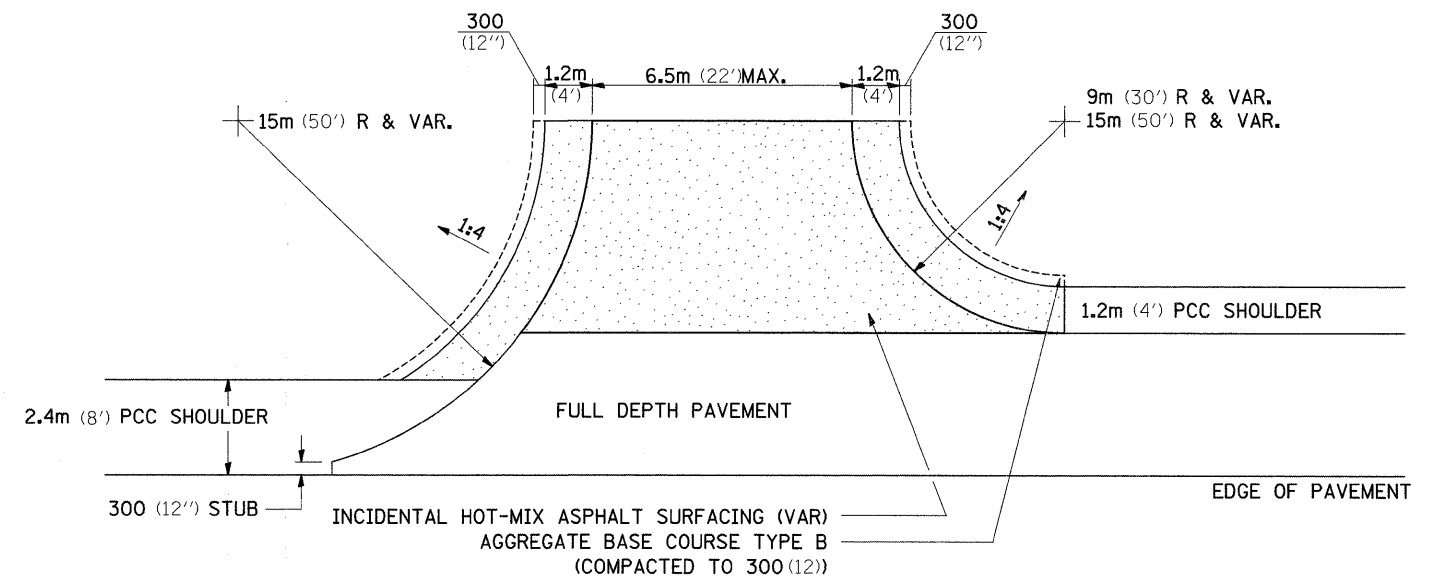
	COMMERCIAL ENTRANCE		PER METER ENTR (FOOT)	
	3.6m (12')	10.5m (35')	3.6m (12')	10.5m (35')
AGG BASE CSE T-B (TON)	14.3 (15.8)	27.0 (29.8)	0.64 (0.70)	1.70 (1.87)
INC HMA SURF 50 (2) (TON)	3.3 (3.6)	6.35 (7.0)	0.14 (0.15)	0.40 (0.44)
BIT PRIME COAT (TON)	0.042 (0.046)	0.082 (0.090)	0.002 (0.002)	0.005 (0.006)

NOTE

- ① ALL PE & CE ARE TO BE INCIDENTAL HOT-MIX ASPHALT SURFACED TO RIGHT OF WAY LINE. AREA BEHIND RIGHT OF WAY SHALL MATCH EXISTING SURFACE.
- ② FE ARE TO BE AGGREGATE TO RIGHT OF WAY OR TOUCH DOWN, WHICH EVER IS GREATEST.
- ③ QUANTITIES ARE CALCULATED WITH 2.4M (8') PCC SHOULDER IN PLACE. AGGREGATE QUANTITIES SHOWN ARE FOR NEW CONSTRUCTION.
- ④ EXCAVATION REQUIRED FOR PLACEMENT OF AGGREGATE BASE COURSE SHALL BE CONSIDERED INCLUDED TO THE AGGREGATE BASE COURSE.
- ⑤ ALL DIMENSIONS ARE IN MILLIMETERS (INCHES) UNLESS OTHERWISE NOTED.
- ⑥ SEE PAVEMENT JOINT DETAILS, PAVEMENT ELEVATION DETAILS, AND TYPICALS FOR ALL SIDEROAD LIMITS AND DIMENSIONS.



	3.6m (12') PRIVATE ENTRANCE		PER METER ENTR (FOOT)	
	3.6m (12')	7.2m (24')	3.6m (12')	7.2m (24')
AGG BASE CSE T-B (TON)	14.3 (15.8)	21.0 (23.1)	0.64 (0.70)	1.20 (1.32)
INC HMA SURF 50 (2) (TON)	3.3 (3.6)	4.9 (5.4)	0.14 (0.15)	0.27 (0.30)
BIT PRIME COAT (TON)	0.042 (0.046)	0.063 (0.069)	0.002 (0.002)	0.004 (0.004)



SIDEROAD RETURN (SEE NOTE 6)