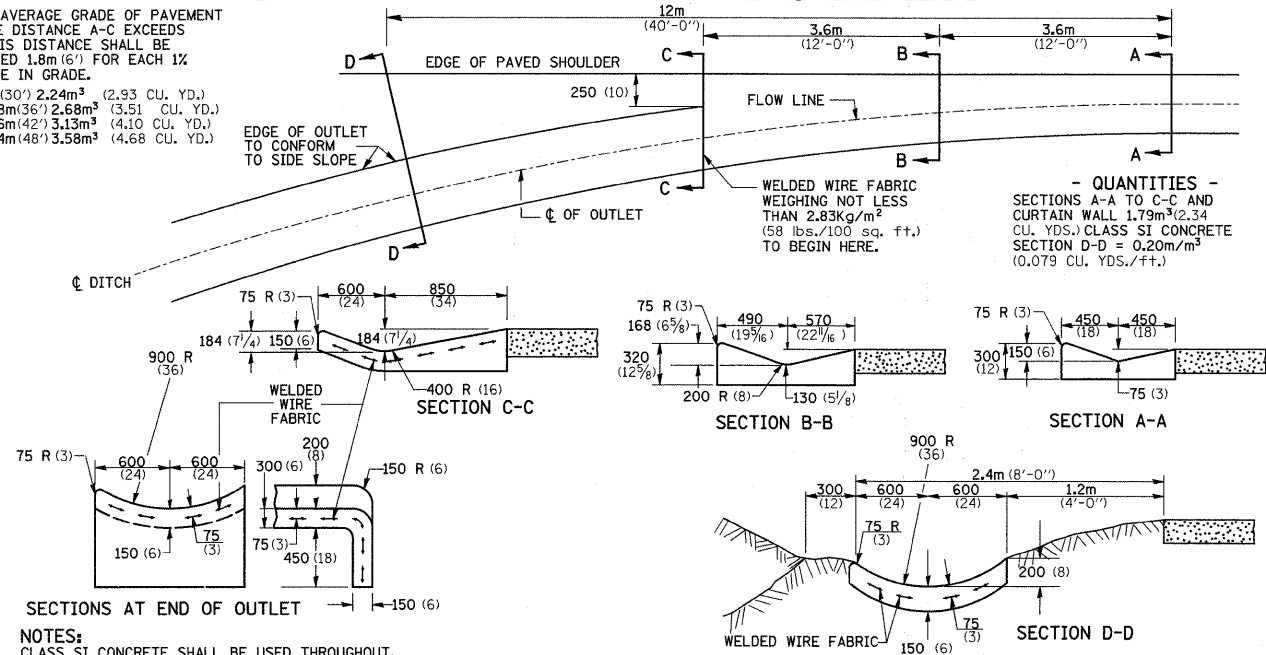


# GUTTER OUTLET ADJACENT TO STABILIZED SHOULDER

**NOTE:**  
IF THE AVERAGE GRADE OF PAVEMENT FOR THE DISTANCE A-C EXCEEDS 2%, THIS DISTANCE SHALL BE INCREASED 1.8m (6') FOR EACH 1% INCREASE IN GRADE.  
3 % 9m (30') 2.24m<sup>3</sup> (2.93 CU. YD.)  
4 % 10.8m (36') 2.68m<sup>3</sup> (3.51 CU. YD.)  
5 % 12.6m (42') 3.13m<sup>3</sup> (4.10 CU. YD.)  
6 % 14.4m (48') 3.58m<sup>3</sup> (4.68 CU. YD.)

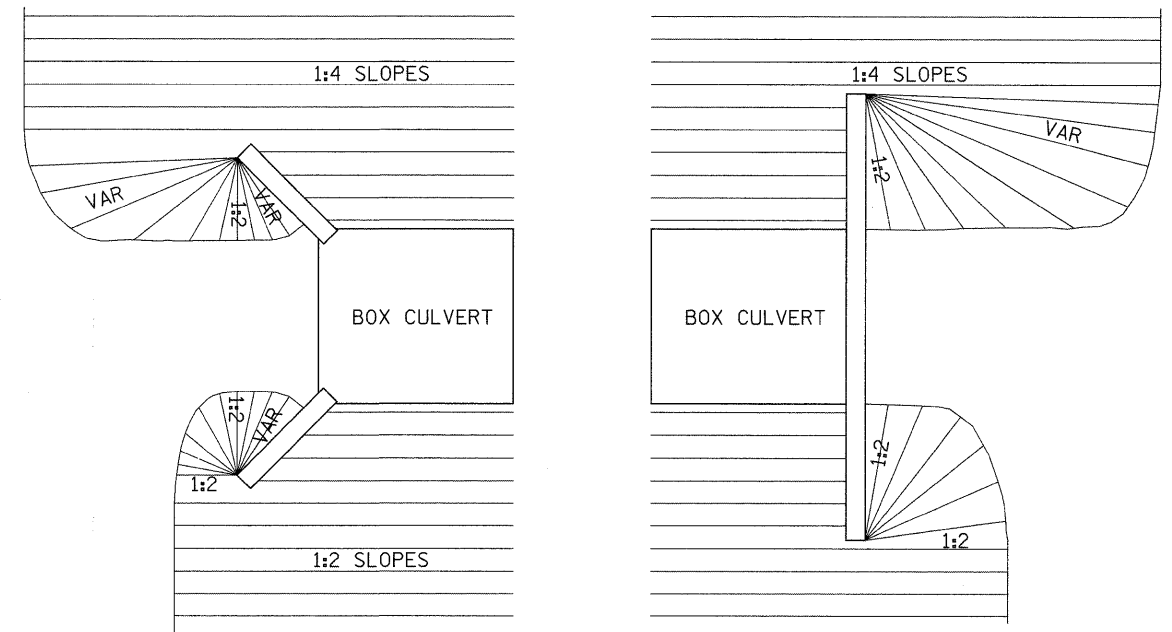


**NOTES:**  
CLASS SI CONCRETE SHALL BE USED THROUGHOUT. THE GUTTER OUTLET WILL BE PAID FOR AT THE CONTRACT UNIT PRICE PER M<sup>3</sup> FOR CLASS SI CONCRETE (OUTLETS), WHICH PRICE SHALL INCLUDE THE COST OF THE WELDED WIRE FABRIC REINFORCEMENT

REVISED - 5-4-94

GUTTER OUTLET ADJACENT TO STABILIZED SHOULDER 15.4

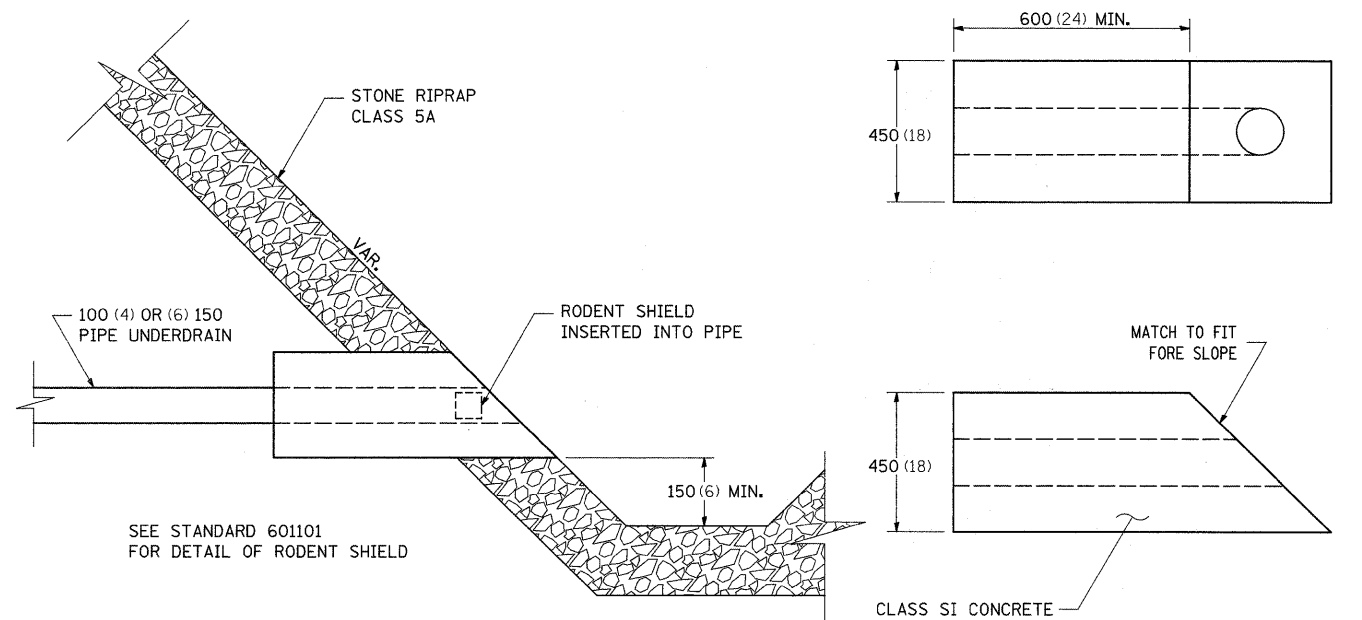
# GRADING AROUND WINGWALLS



10-21-08

GRADING AROUND WINGWALLS 20.4

# CONCRETE HEADWALLS FOR PIPE DRAINS



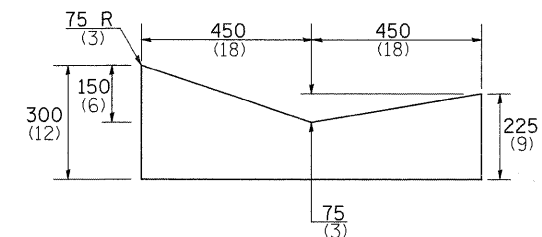
SEE STANDARD 601101 FOR DETAIL OF RODENT SHIELD

ALL DIMENSIONS ARE IN MILLIMETERS (INCHES) UNLESS OTHERWISE NOTED.

REVISED - 10-15-04

CONCRETE HEADWALLS FOR PIPE DRAINS 27.4

# CONCRETE GUTTER, TYPE A (MODIFIED)



**NOTES:**

THIS WORK SHALL BE DONE IN ACCORDANCE WITH THIS DETAIL AND STANDARD 606101 THIS WORK SHALL BE PAID FOR AT THE CONTRACT UNIT PRICE PER METER (FOOT) FOR CONCRETE GUTTER, TYPE A (MODIFIED).

ALL DIMENSIONS ARE IN MILLIMETERS (INCHES) UNLESS OTHERWISE NOTED.

REVISED - 5-4-94

REVISED -

REVISED -

REVISED -

REGION 2 / DISTRICT 2 STANDARD

SCALE: 50.0000 / IN SHEET NO. OF SHEETS STA. TO STA.

F.A.P. RTE.	SECTION	COUNTY	TOTAL SHEETS	SHEET NO.
742	37R-3	OGLE	345	225
CONTRACT NO. 84788				
FED. ROAD DIST. NO.		ILLINOIS FED. AID PROJECT		

CONCRETE GUTTER TYPE A (MODIFIED) 36.4