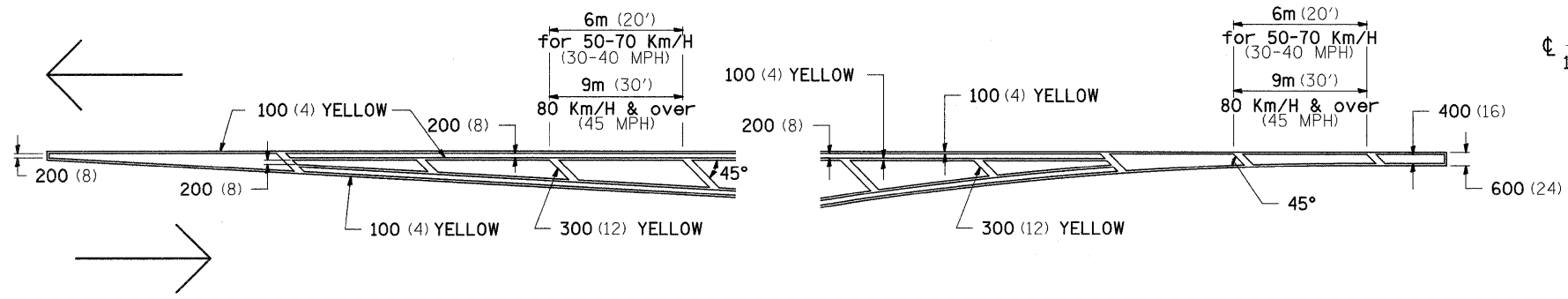
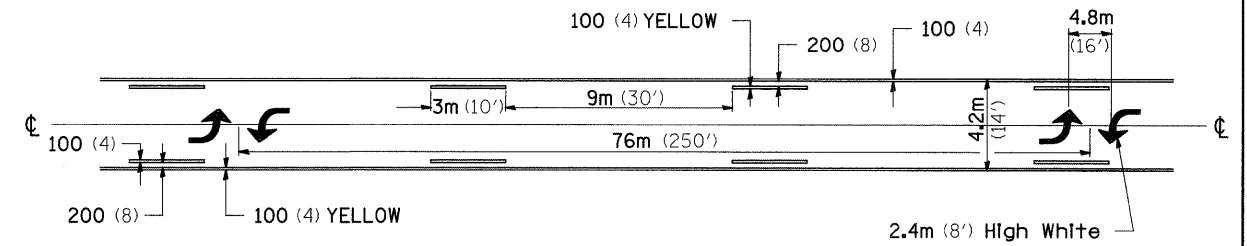


# TYPICAL PAVEMENT MARKINGS

## TYPICAL PAVEMENT MARKING FOR FLUSH MEDIAN AT LEFT TURN LANE

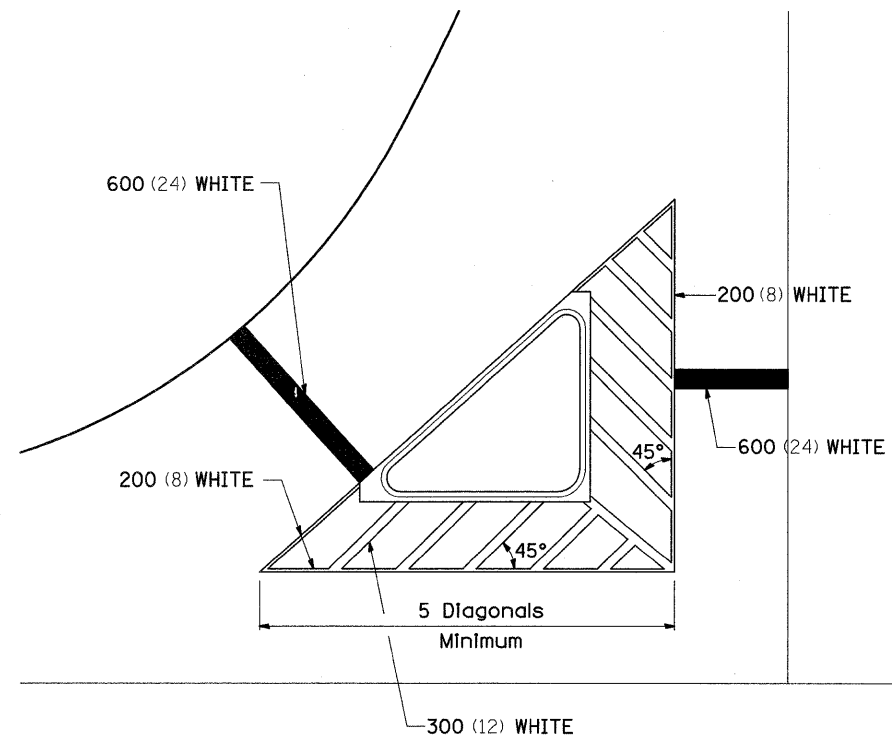


## MEDIAN PAVEMENT MARKING

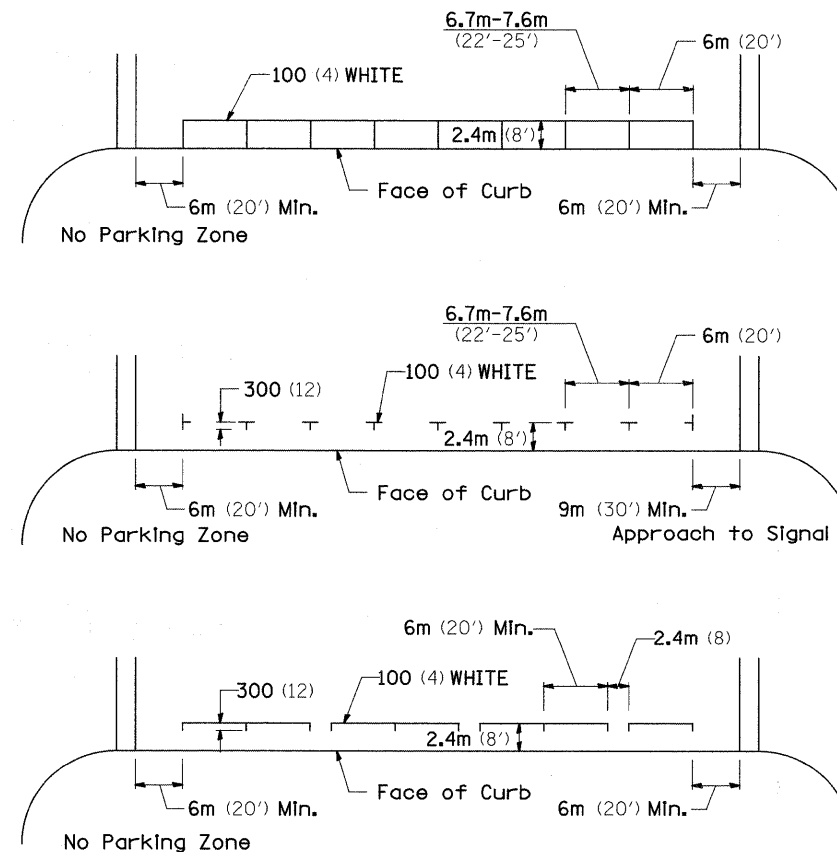


\*\* ALL DIMENSIONS ARE IN MILLIMETERS (INCHES) UNLESS OTHERWISE NOTED.

## TYPICAL ISLAND OFFSET SHOULDER WIDTH

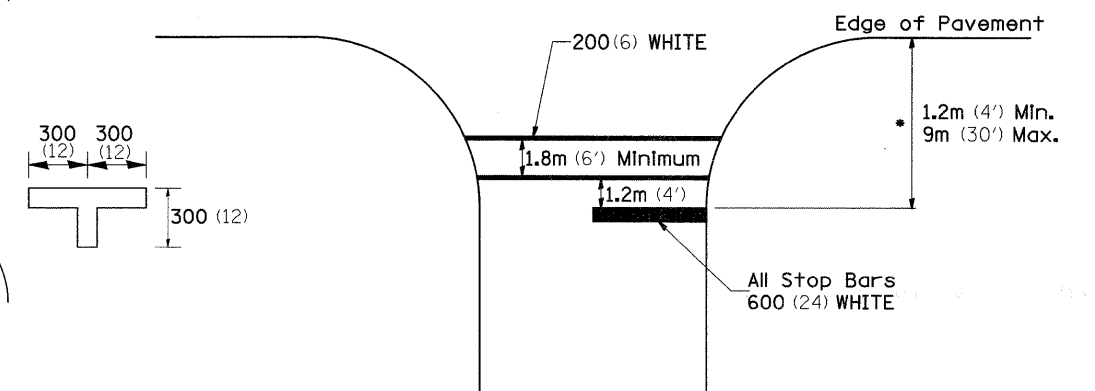


## TYPICAL PARKING SPACING



## STANDARD CROSSWALK MARKING

See Schedules for Locations



\* Distance to the nearest edge of the intersecting roadway in the absence of a marked crosswalk.

FILE NAME =	USER NAME = cushmanbw	DESIGNED -	REVISED - 10-21-08	<b>STATE OF ILLINOIS DEPARTMENT OF TRANSPORTATION</b>	<b>REGION 2 / DISTRICT 2 STANDARD</b>	F.A.P. RTE.	SECTION	COUNTY	TOTAL SHEETS	SHEET NO.
cd\pw_work\PWIDOT\CUSHMANBW\dms34123\dms34123.dgn	6486sp169.dgn	DRAWN -	REVISED -			742	37R-3	OGLE	345	237
PLOT SCALE = 50.0000' / IN.	CHECKED -	REVISED -				CONTRACT NO. 84788				
PLOT DATE = Fri May 01 08:45:23 2009	DATE -	REVISED -				FED. ROAD DIST. NO.	ILLINOIS FED. AID PROJECT			