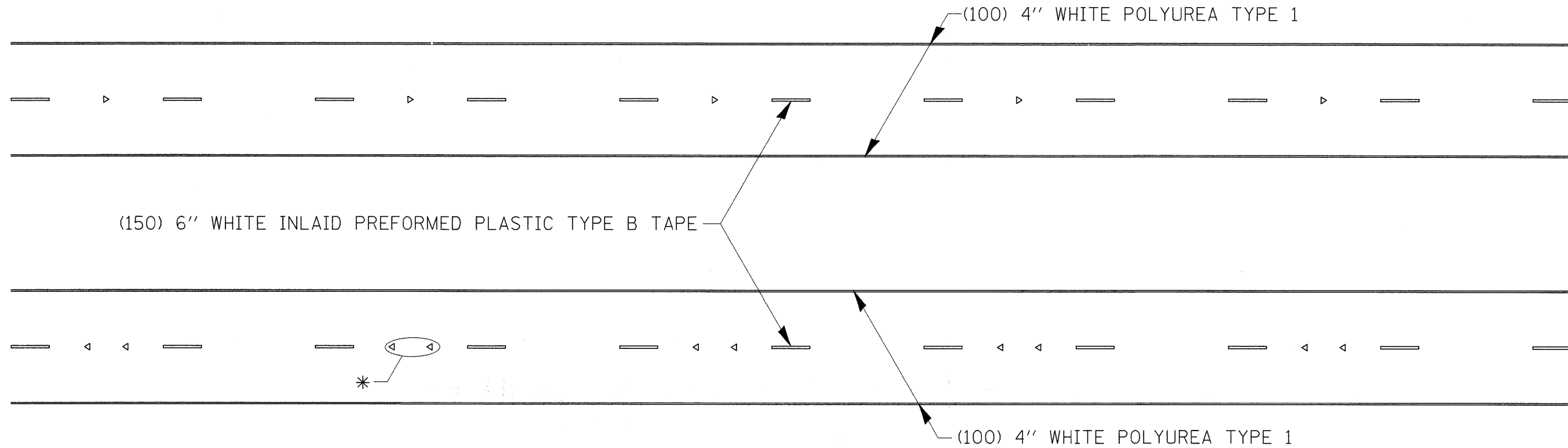
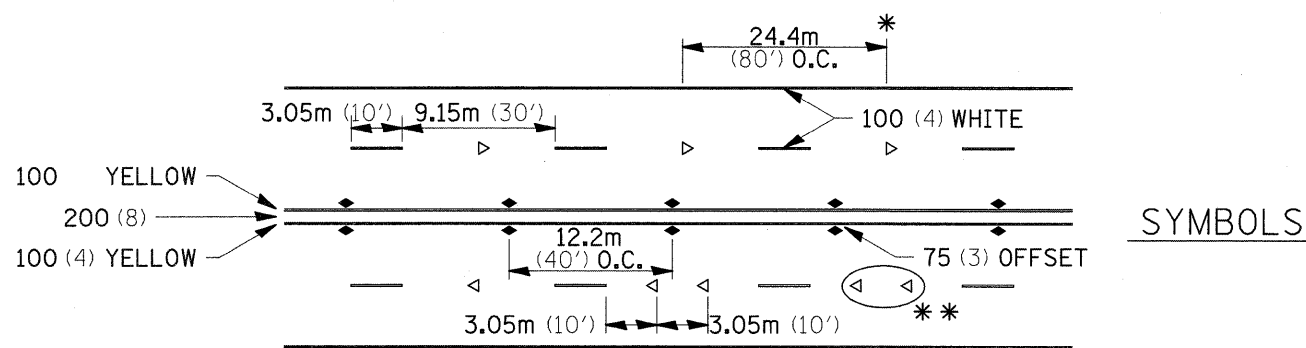


TYPICAL PAVEMENT MARKINGS



* SEE HIGHWAY STANDARD 781001 FOR SPACING DETAILS.
USE DOUBLE MARKERS WHEN ADT \geq 25,000.

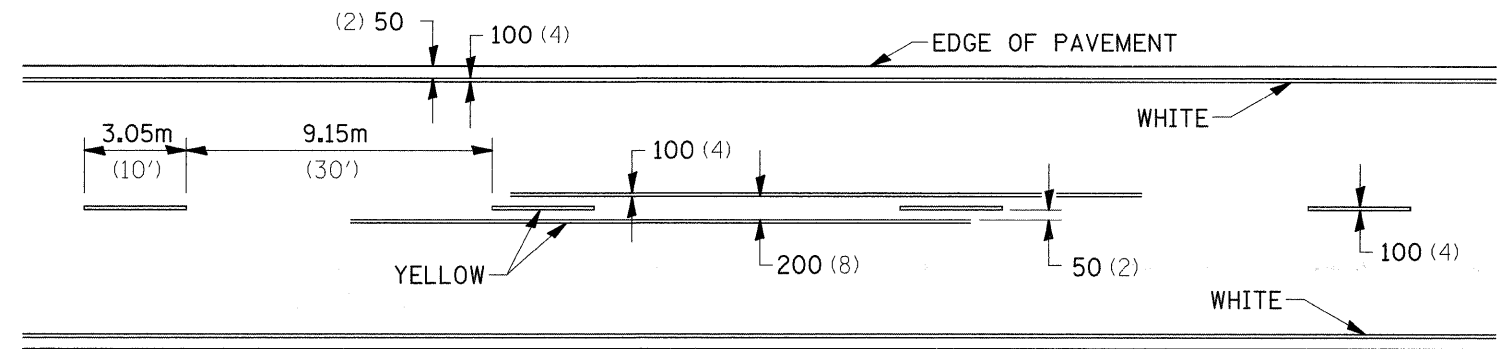
MULTI-LANE / DIVIDED



* REDUCE TO 12.2m (40') O.C. ON CURVES WHERE ADVISORY SPEEDS ARE 15Km/H (10MPH) LOWER THAN POSTED SPEEDS.
** USE DOUBLE MARKERS WHEN ADT \geq 25,000

MULTI-LANE / UNDIVIDED

TYPICAL PAVEMENT MARKING FOR TWO LANE SECTION – NO PASSING ZONES



FILE NAME =	USER NAME = cushmanbw	DESIGNED -	REVISED - 10-21-08	STATE OF ILLINOIS DEPARTMENT OF TRANSPORTATION	REGION 2 / DISTRICT 2 STANDARD	F.A.P. RTE.	SECTION	COUNTY	TOTAL SHEETS	SHEET NO.
cr\pw_work\FWIDOT\CUSHMANBW\dms34123\6486sp169.dgn	DRAWN -	REVISED -	742			37R-3	OGLE	345	239	
PLOT SCALE = 50.0000' / IN.	CHECKED -	REVISED -	CONTRACT NO. 84788							
PLOT DATE = Fri May 01 06:45:24 2009	DATE -	REVISED -	FED. ROAD DIST. NO.			ILLINOIS FED. AID PROJECT				
SCALE:						SHEET NO.	OF SHEETS	STA.	TO STA.	