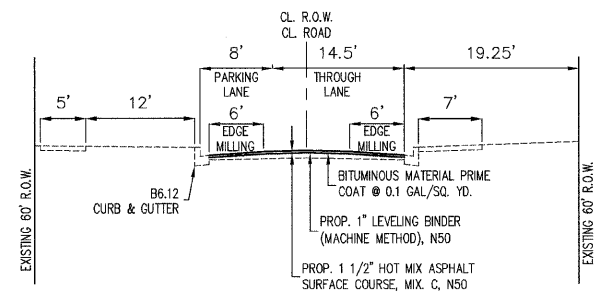
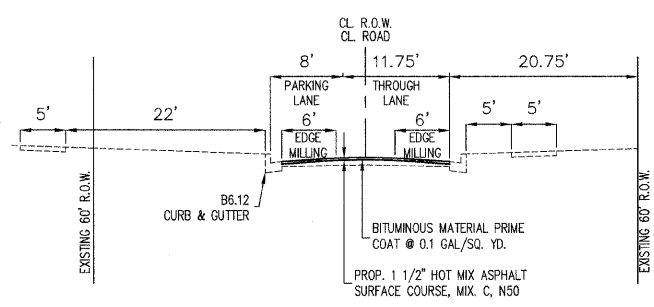


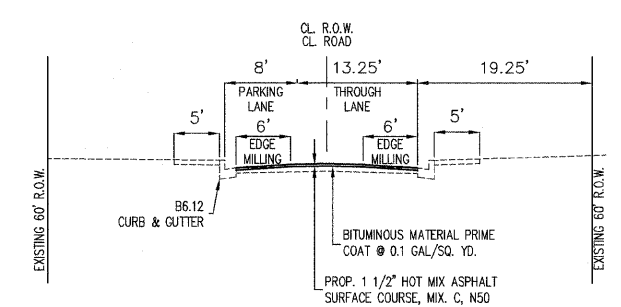
F.A.U. RTE.	SECTION	COUNTY	TOTAL SHEETS	SHEET NO.
VARIOUS	05-07144-00-RS	KANKAKEE	24	10
PROJECT NO.: HPP-4079(002)				
CONTRACT NO.: 87358				



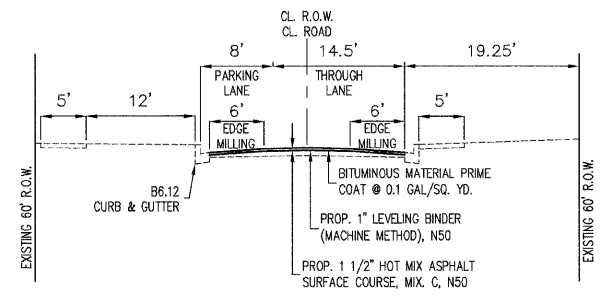
PROPOSED CROSS SECTION DETAIL - BRAMBLE
STA 11+00 TO STA 13+65



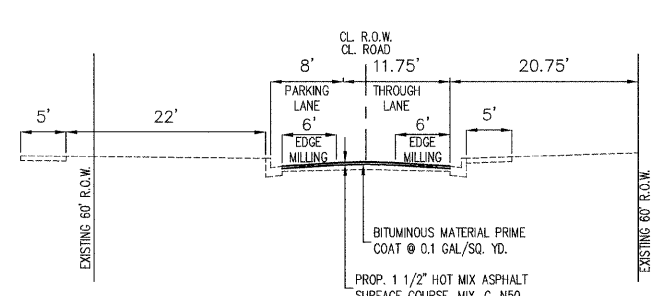
PROPOSED CROSS SECTION DETAIL - CHESTNUT
STA 0+50 TO STA 3+92



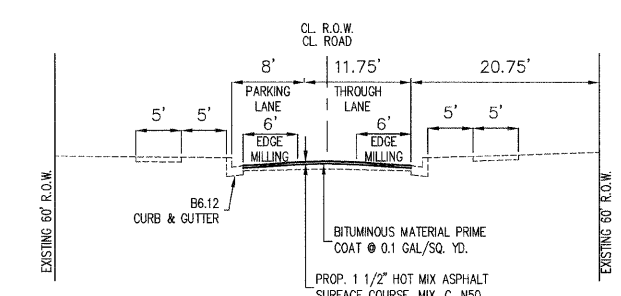
PROPOSED CROSS SECTION DETAIL - CHESTNUT
STA 20+72 TO STA 22+84



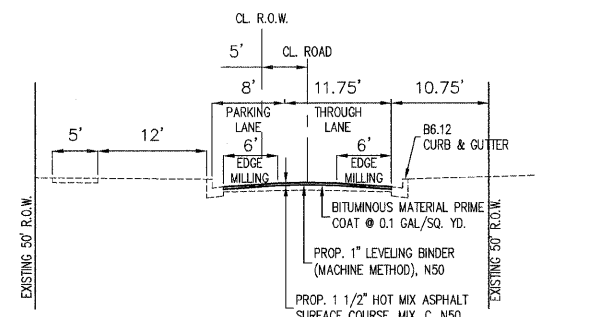
PROPOSED CROSS SECTION DETAIL - BRAMBLE
STA 5+92 TO STA 11+00



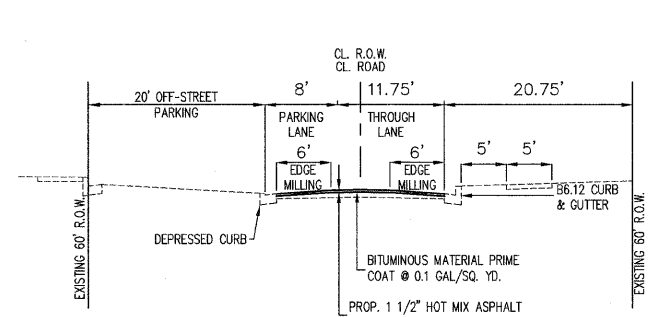
PROPOSED CROSS SECTION DETAIL - CHESTNUT
STA 0+00 TO STA 0+50



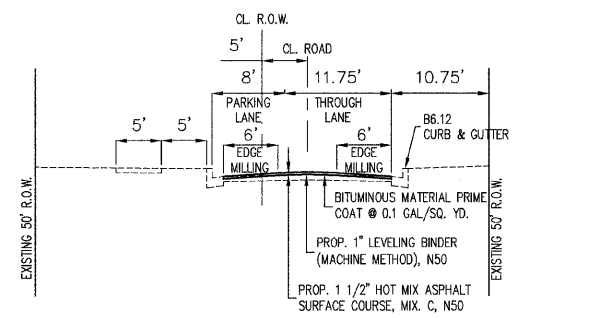
PROPOSED CROSS SECTION DETAIL - CHESTNUT
STA 17+91 TO STA 20+72



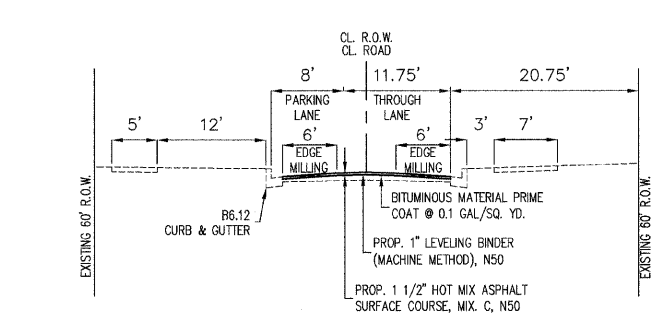
PROPOSED CROSS SECTION DETAIL - BRAMBLE
STA 4+07 TO STA 5+92



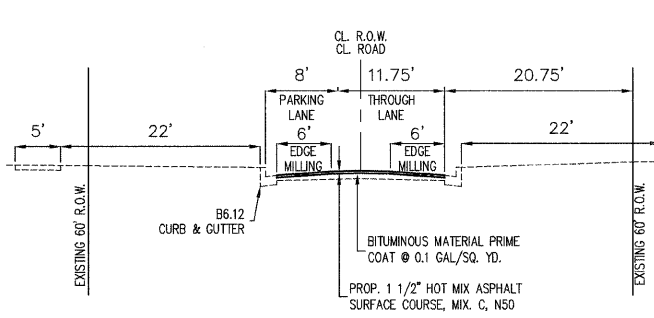
PROPOSED CROSS SECTION DETAIL - CHESTNUT
STA 16+56 TO STA 17+91



PROPOSED CROSS SECTION DETAIL - BRAMBLE
STA 0+00 TO STA 4+07



PROPOSED CROSS SECTION DETAIL - BRAMBLE
STA 13+65 TO STA 15+67.56



PROPOSED CROSS SECTION DETAIL - CHESTNUT
STA 3+92 TO STA 16+56

M. GINGERICH, GERAUX & ASSOCIATES
240 N. Industrial Drive
Bradley, Illinois 60915
815-939-4921
FAX: 815-939-9810

REVISIONS		
DATE	BY	DESCRIPTION
2/17/2009	JWG	REVISIONS PER REVIEW
3/25/2009	JWG	REVISIONS PER REVIEW
5/11/2009	JWG	REVISIONS PER REVIEW

ILLINOIS DEPARTMENT OF TRANSPORTATION
MANTENO TOWNSHIP
STREET OVERLAY PLAN

PROPOSED CROSS SECTIONS
BRAMBLE 0+00 TO 15+67.56
CHESTNUT 0+00 TO 22+84

SCALE: VERTICAL: 1" = 5'
HORIZONTAL: 1" = 10'

DATE: 12/21/07 DRAWN BY: JWG
CHECKED BY:

X:\PROJECTS\2009\4079\05-07144-00-RS\DOT OVERLAY PLAN\SHEET 10-CROSS SECTIONS.DWG LAYOUT_10-CROSS SECTIONS.DWG 12/21/07 10:38 AM JWG