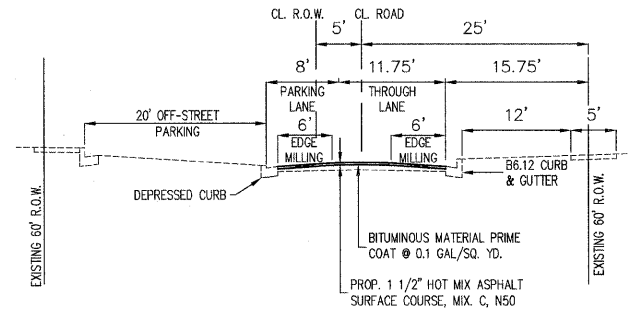
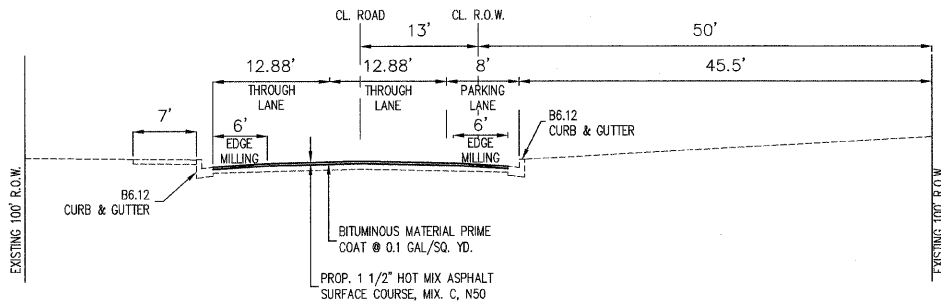


F.A.U. RTE.	SECTION	COUNTY	TOTAL SHEETS	SHEET NO.
VARIOUS	05-07144-00-RS	KANKAKEE	24	12
PROJECT NO.: HPP-4079(002)				

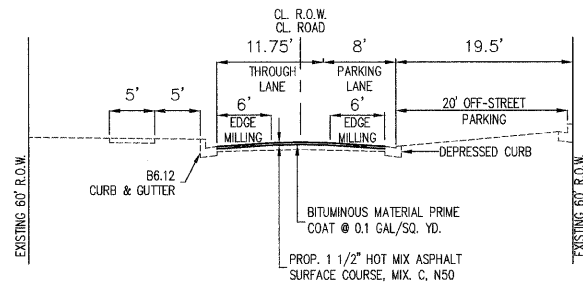
CONTRACT NO.: 87358



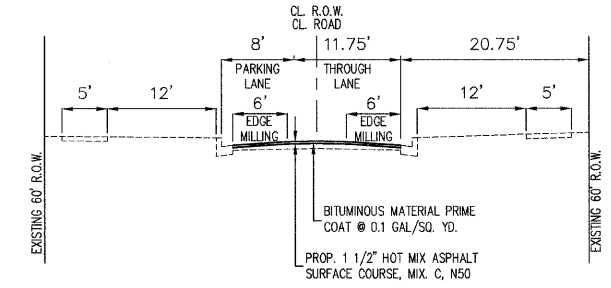
PROPOSED CROSS SECTION DETAIL - IRONWOOD  
STA 4+63 TO STA 6+12



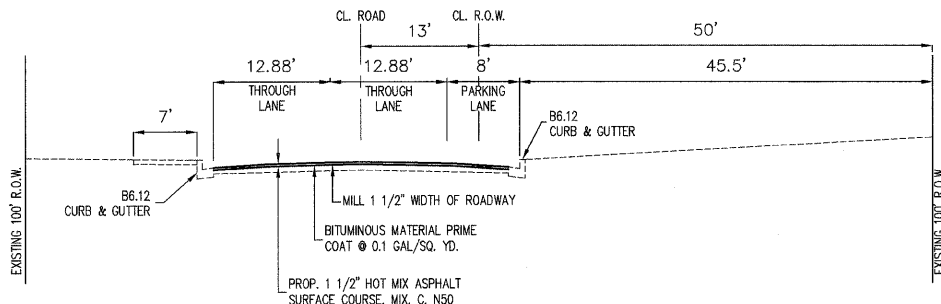
PROPOSED CROSS SECTION DETAIL - GROVE  
STA 20+98 TO STA 23+31.35



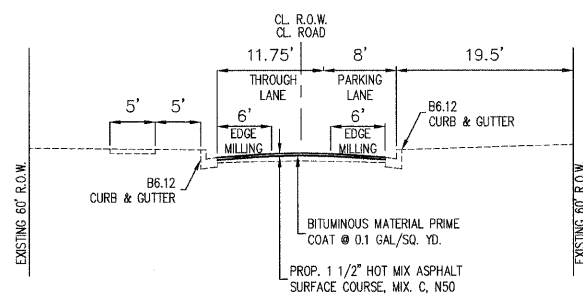
PROPOSED CROSS SECTION DETAIL - HEMLOCK  
STA 8+54 TO STA 12+50



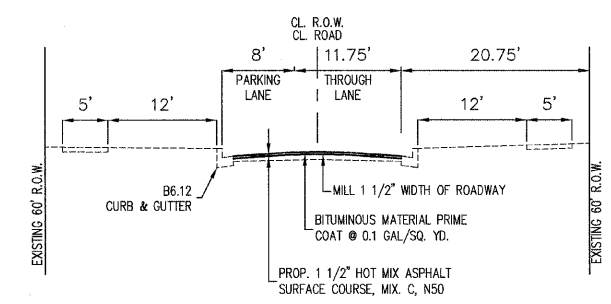
PROPOSED CROSS SECTION DETAIL - IRONWOOD  
STA 2+05 TO STA 4+63



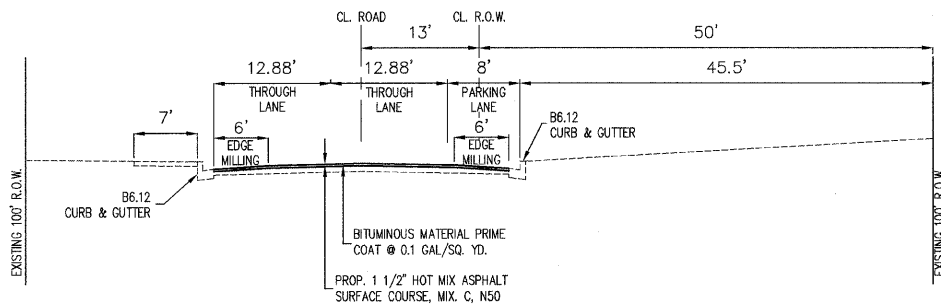
PROPOSED CROSS SECTION DETAIL - GROVE  
STA 20+91 TO STA 20+98



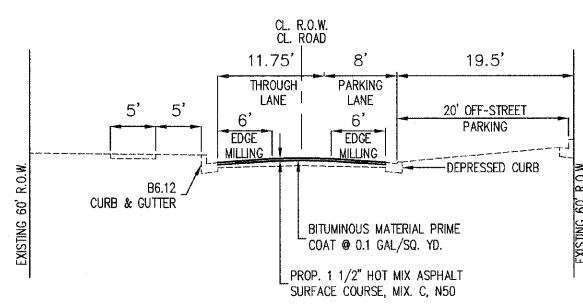
PROPOSED CROSS SECTION DETAIL - HEMLOCK  
STA 4+00 TO STA 8+54



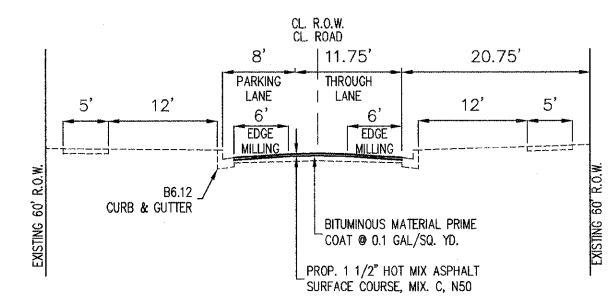
PROPOSED CROSS SECTION DETAIL - IRONWOOD  
STA 1+98 TO STA 2+05



PROPOSED CROSS SECTION DETAIL - GROVE  
STA 20+00 TO STA 20+91



PROPOSED CROSS SECTION DETAIL - HEMLOCK  
STA 0+00 TO STA 4+00



PROPOSED CROSS SECTION DETAIL - IRONWOOD  
STA 0+00 TO STA 1+98

**M. GINGERICH, GERAUX & ASSOCIATES**  
240 N. Industrial Drive  
Bradley, Illinois 60915  
815-939-4921  
FAX: 815-939-9810

REVISIONS		
DATE	BY	DESCRIPTION
2/17/2009	JWG	REVISIONS PER REVIEW
3/25/2009	JWG	REVISIONS PER REVIEW
5/11/2009	JWG	REVISIONS PER REVIEW

ILLINOIS DEPARTMENT OF TRANSPORTATION  
MANTENO TOWNSHIP  
STREET OVERLAY PLAN  
PROPOSED CROSS SECTIONS  
GROVE STA. 20+00 TO STA. 23+31.35  
HEMLOCK STA. 0+00 TO STA. 12+50  
IRONWOOD STA. 0+00 TO STA. 6+12  
SCALE: VERTICAL: 1" = 5'  
HORIZONTAL: 1" = 10'  
DATE: 12/21/07  
DRAWN BY: JWG  
CHECKED BY:

X:\PROJECTS\80000-40-00\80000-40-00\DOT OVERLAY PLAN\SHEET 12.CDR\SECTION 05-07144-00-RS.DWG