

SUMMARY OF QUANTITIES			
CODE NO	ITEM	CONSTRUCTION CODE	
		X080-2A	
UNIT	QUANTITY		
20200100	EARTH EXCAVATION	CU YD	230
20300100	CHANNEL EXCAVATION	CU YD	130
20400800	FURNISHED EXCAVATION	CU YD	340
20700110	POROUS GRANULAR EMBANKMENT	TON	100
> 25001000	SEEDING CLASS 2, SPECIAL	ACRE	0.5
> 28101700	RIPRAP, SPECIAL	TON	140
40200800	AGGREGATE SURFACE COURSE, TYPE B	TON	450
50100100	REMOVAL OF EXISTING STRUCTURES	EACH	1
50300225	CONCRETE STRUCTURES	CU YD	23.0
> 50400405	PRECAST PRESTRESSED CONCRETE DECK BEAMS (21" DEPTH)	SQ FT	1,512
50800105	REINFORCEMENT BARS	POUND	2,450
* 50900205	STEEL RAILING, TYPE S1	FOOT	109
51201600	FURNISHING STEEL HP12X53 PILES	FOOT	180
51202305	DRIVING STEEL PILES	FOOT	180
51203600	TEST PILE STEEL HP12X53	EACH	2
51204650	PILE SHOES	EACH	8
51500100	NAME PLATES	EACH	1
67100100	MOBILIZATION	L SUM	1
> 70101830	TRAFFIC CONTROL & PROTECTION STD BLR 21	L SUM	1
> XX004566	CONCRETE CUT-OFF WALL	CU YD	6.6

> SEE SPECIAL PROVISIONS

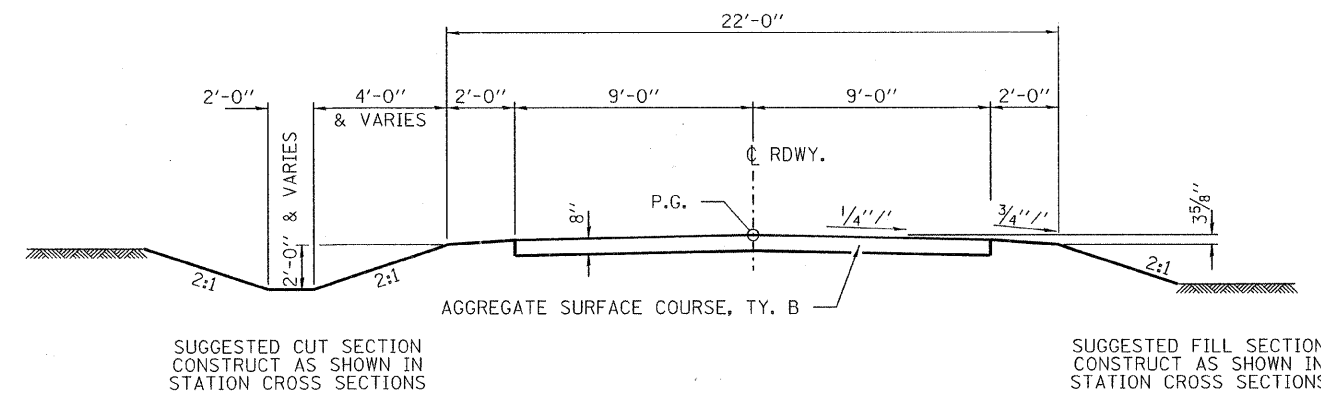
* SPECIALTY ITEMS

GENERAL NOTES

- ALL CONSTRUCTION SHALL BE DONE IN ACCORDANCE WITH THE STATE OF ILLINOIS "STANDARD SPECIFICATIONS FOR ROAD AND BRIDGE CONSTRUCTION, ADOPTED JANUARY 1, 2007," THESE PLANS AND THE SPECIAL PROVISIONS INCLUDED IN THE CONTRACT DOCUMENTS.
- ALL CLEARING AND GRUBBING AND REMOVAL OF EXISTING DRAINAGE STRUCTURES SHALL BE INCLUDED IN THE CONTRACT.
- THE LOCATIONS OF EXISTING ELECTRIC POWER LINES, TELEPHONE LINES AND OTHER UTILITIES AS SHOWN ON THE PLANS ARE BASED ON CAREFUL FIELD INVESTIGATION AND THE BEST INFORMATION AVAILABLE, BUT THE LOCATIONS ARE NOT GUARANTEED. IT SHALL BE THE CONTRACTOR'S RESPONSIBILITY TO ASCERTAIN THEIR EXACT LOCATION FROM THE INDIVIDUAL UTILITY COMPANIES AND BY FIELD INSPECTION.
- THE CONTRACTOR SHALL PROTECT AND CAREFULLY PRESERVE ALL SECTION OR SUBSECTION MONUMENTS UNTIL THE OWNER, HIS AGENT, OR A PROFESSIONAL LAND SURVEYOR HAS WITNESSED OR OTHERWISE REFERENCED THEIR LOCATION.
- THE REVISION NUMBER INDICATED FOR THE STANDARDS LISTED IN THE INDEX OF SHEETS SHALL BE USED IN THE CONSTRUCTION OF THIS SECTION.
- THE FOLLOWING RATES OF APPLICATION HAVE BEEN USED IN CALCULATING PLAN QUANTITIES
 AGGREGATE SURFACE CSE. 2.05 TON/CU YD
 RIPRAP, SPECIAL 1.75 TON/CU YD 0.70 TON/50 YD
- THE AREA TO BE SEEDDED SHALL CONSIST OF ALL EARTH SURFACES DISTURBED DURING CONSTRUCTION AS DIRECTED BY THE ENGINEER. ESTIMATED QUANTITY = 0.5 ACRES.
- TREES WITHIN THE RIGHT-OF-WAY WHICH INTERFERE WITH CONSTRUCTION SHALL BE REMOVED ONLY AT THE DIRECTION OF THE ENGINEER.

EARTHWORK SCHEDULE						
LOCATION	EARTH EXCAVATION (CU YD)	SHRINKAGE FACTOR	PERCENT USED	AVAILABLE* EXCAVATION (CU YD)	EMBANKMENT REQUIRED (CU YD)	EARTHWORK BALANCE (CU YD)
STA. 7+00 TO STA. 9+70.55	173	25%	100%	129	307	-178
STA. 9+70.55 TO STA. 10+39.45	-	25%	100%	-	-	-
STA. 10+39.45 TO STA. 11+90.35	59	25%	100%	44	274	-229
CHANNEL EXCAVATION ENTRANCES	(130)	25%	70%	68	-	68
TOTAL	232			242	581	-339
USE:	230					340

* AVAILABLE EXCAVATION = EXC. x (1-SHRINKAGE FACTOR) x 1/2 USED (FURN. EXC.)



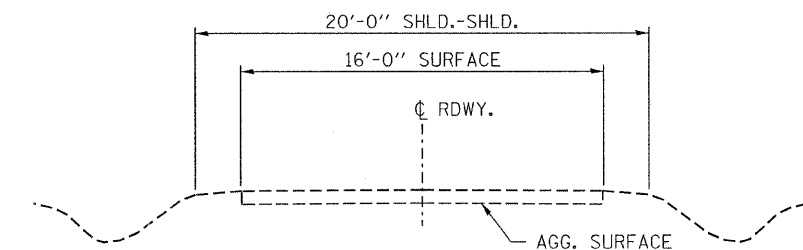
SUGGESTED CUT SECTION
CONSTRUCT AS SHOWN IN
STATION CROSS SECTIONS

SUGGESTED FILL SECTION
CONSTRUCT AS SHOWN IN
STATION CROSS SECTIONS

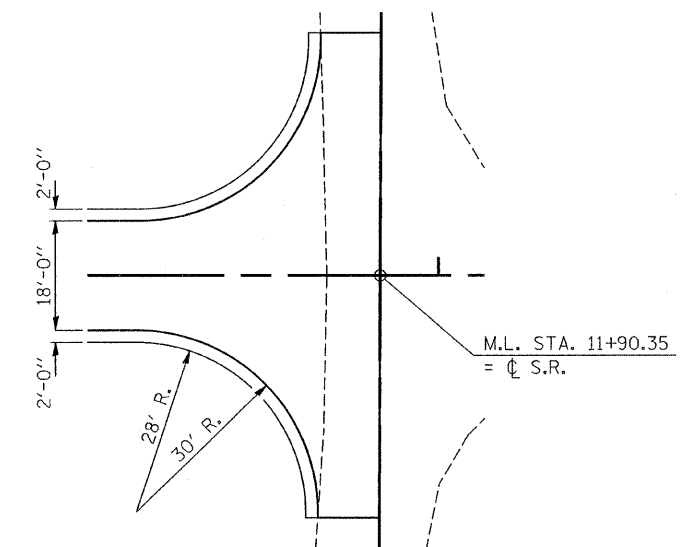
TYPICAL CROSS SECTION

STA. 7+00 TO 13+00

TRANSITION FROM THE PROPOSED ROADWAY TO THE EXISTING ROADWAY IS TO BE CONSTRUCTED FROM STA. 7+00 TO 7+50 AND STA. 12+50 TO 13+00. SEE SHEET 9 FOR TRANSITION AT BRIDGE.



EXISTING CROSS SECTION



INTERSECTION DETAIL

FILE NAME = 080188-sh1-r-dr.dgn	USER NAME =	DESIGNED -	REVISED -	STATE OF ILLINOIS VERMILION COUNTY HIGHWAY DEPARTMENT	HAMPTON, LENZINI & RENWICK, INC. CIVIL & STRUCTURAL ENGINEERS LAND SURVEYORS	SUMMARY OF QUANTITIES AND GENERAL NOTES	T.R.	SECTION	COUNTY	TOTAL SHEETS	SHEET NO.
PLOT SCALE =	CHECKED - S.W.M.	REVISED -	365				01-19135-00-BR	VERMILION	16	2	
PLOT DATE = 5/4/2009	DATE - 05/04/09	REVISED -	VANCE ROAD DISTRICT				CONTRACT NO. 91398		FED. ROAD DIST. NO. ILLINOIS FED. AID PROJECT		
			SCALE:				SHEET NO.	OF	SHEETS	STA.	TO STA.