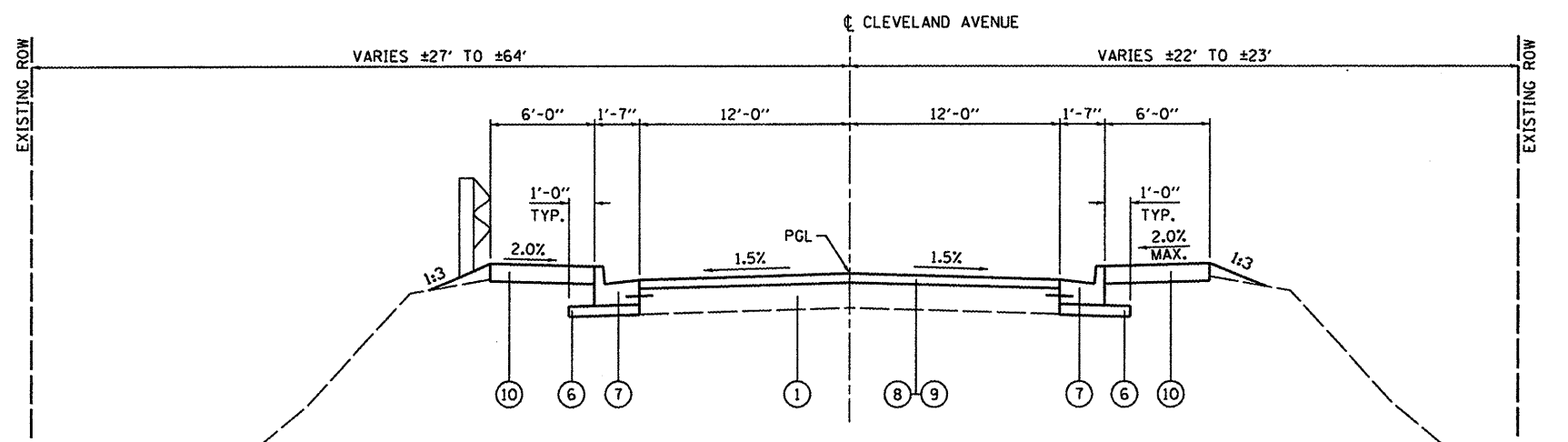


**PROPOSED TYPICAL SECTION CLEVELAND AVENUE**

(NOT TO SCALE)  
 STA. 100+75.00 TO STA. 101+30.47  
 BRIDGE APPROACH PAVEMENT: STA. 101+30.47 TO STA. 101+56.47  
 BRIDGE OMISSION: STA. 101+56.47 TO STA. 102+39.28  
 BRIDGE APPROACH PAVEMENT: STA. 102+39.28 TO STA. 102+65.28  
 STA. 102+65.28 TO STA. 103+20.00

- LEGEND**
- ① EXISTING HMA PAVEMENT
  - ② EXISTING CONCRETE CURB, 6"
  - ③ EXISTING PCC SIDEWALK
  - ④ EXISTING AGGREGATE BASE WITH BITUMINOUS SURFACE TREATMENT
  - ⑤ PROPOSED BRIDGE APPROACH PAVEMENT CONNECTOR (PCC) (8")
  - ⑥ PROPOSED SUB-BASE GRANULAR MATERIAL, TYPE A 4"
  - ⑦ PROPOSED COMBINATION CONCRETE CURB AND GUTTER, TYPE B-6.12 WITH TIE BAR GROUTED IN PLACE (SEE HIGHWAY STANDARD 606001)
  - ⑧ PROPOSED HOT-MIX ASPHALT SURFACE REMOVAL, VARIABLE DEPTH
  - ⑨ PROPOSED HOT-MIX ASPHALT SURFACE COURSE, MIX "C", N70 (2")
  - ⑩ PROPOSED PORTLAND CEMENT CONCRETE SIDEWALK 4 INCH
  - ⑪ PROPOSED AGGREGATE BASE COURSE, TYPE A 8"
  - ⑫ PROPOSED BITUMINOUS SURFACE TREATMENT, A-3
  - ⑬ PROPOSED EARTH SHOULDER

\* NOTE: CURB HEIGHT VARIES 6" TO 9"  
 LT. STA. 101+01.90 TO STA. 101+11.90  
 CURB HEIGHT VARIES 9" TO 6"  
 LT. STA. 102+46.71 TO STA. 102+56.71  
 RT. STA. 102+83.84 TO STA. 102+93.84



**PROPOSED TYPICAL SECTION CLEVELAND AVENUE**

(NOT TO SCALE)  
 STA. 100+25.00 TO STA. 100+75.00  
 STA. 103+20.00 TO STA. 104+05.00

**HOT MIX ASPHALT MIXTURE REQUIREMENTS**

MIXTURE USE:	SURFACE
AC/PG:	PG 64-22
RAP % (MAX):	10%
DESIGN AIR VOIDS:	4% @ NDES = 70
MIX COMPOSITION: (GRADATION MIXTURE)	-
FRICION AGGREGATE:	MIXTURE "C"

**CLEVELAND AVENUE**

STRUCTURAL DESIGN TRAFFIC:	Year 2029
PV = 2650	SU = 83      MU = 27
ROAD/STREET CLASSIFICATION:	Class II
PERCENTAGE OF STRUCTURAL DESIGN TRAFFIC IN DESIGN LANE:	
PV = 96%	SU = 3%      MU = 1%
TRAFFIC FACTOR:	Actual TF = 0.22
SUBGRADE SUPPORT RATING:	
SSR = Poor (ASSUMED)	

FILE NAME = 27855-sht-typical.dgn  
 USER NAME = meisiagreser  
 PLOT SCALE = 48.0000' / IN.  
 PLOT DATE = 3/13/2009

DESIGNED -	REVISED -
DRAWN -	REVISED -
CHECKED -	REVISED -
DATE -	REVISED -

**STATE OF ILLINOIS  
 DEPARTMENT OF TRANSPORTATION**

**TYPICAL SECTIONS - CLEVELAND AVENUE**  
 SCALE: SHEET NO. OF SHEETS STA. TO STA.

F.A.U. RTE.	SECTION	COUNTY	TOTAL SHEETS	SHEET NO.
9274	04-00202-00-BR	ST. CLAIR	55	5

FED. ROAD DIST. NO. 7 ILLINOIS FED. AID PROJECT CONTRACT NO. 97369