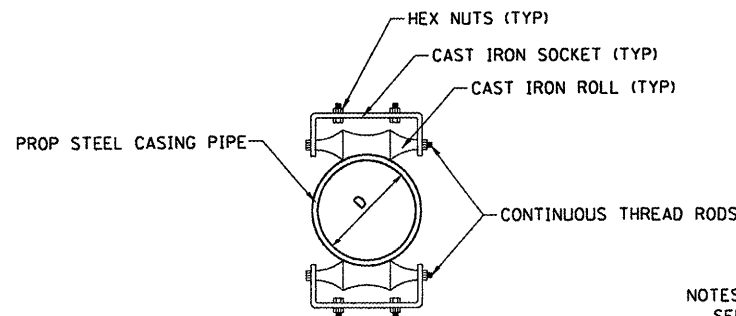


NOTE: PAYMENT FOR DROP MANHOLE CONNECTION TO BE MADE AT CONTRACT UNIT PRICE PER FOOT "SANITARY SEWER 12".

**EXISTING SANITARY STRUCTURE 3  
TEMPORARY INSIDE DROP CONNECTION**

(NOT TO SCALE)



**ROLLER SUPPORTS**

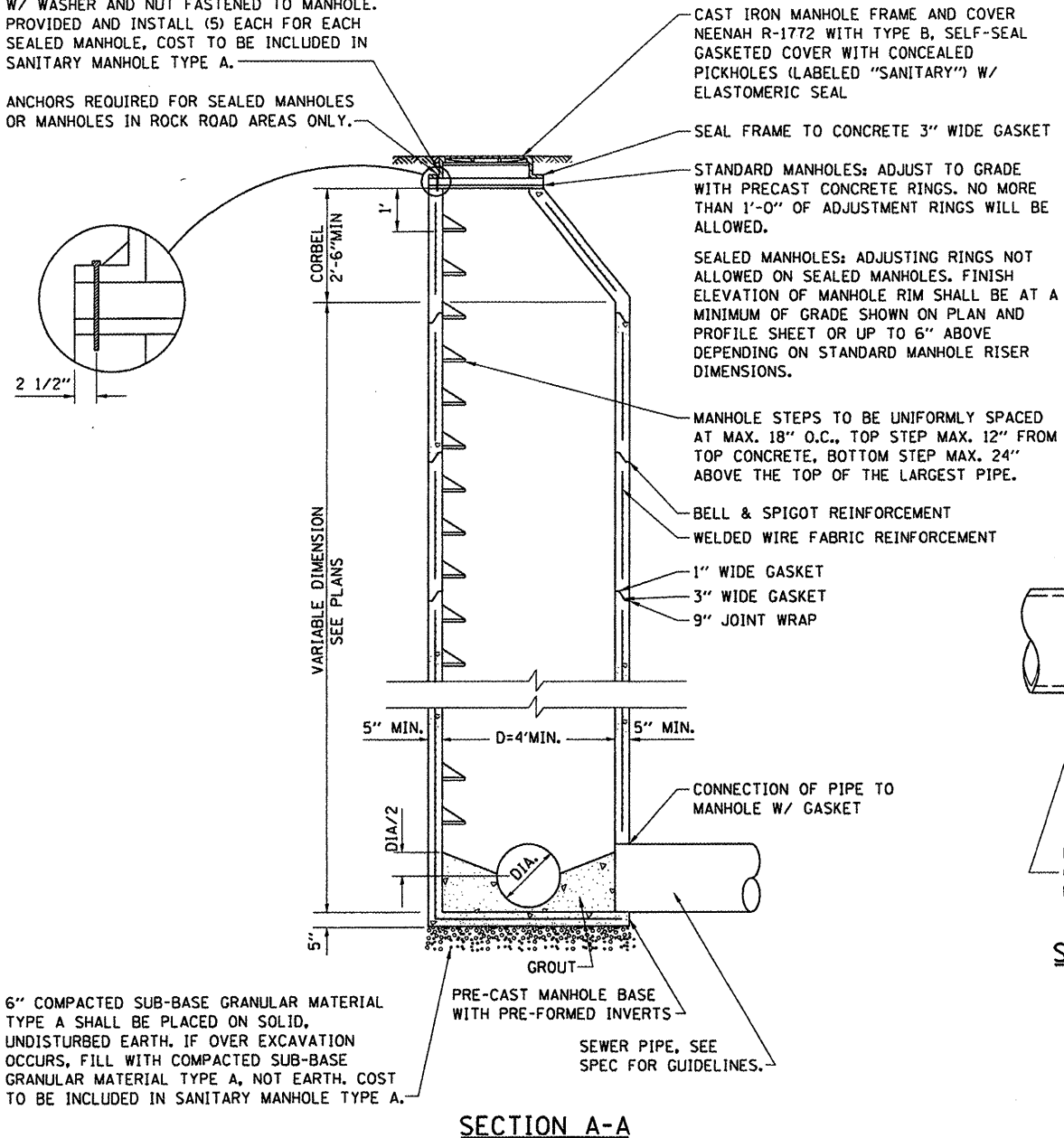
(NOT TO SCALE)

NOTES:  
SEE BRIDGE PLANS FOR HANGER DETAILS.  
SHOP DRAWINGS TO BE SUBMITTED IN ACCORDANCE WITH THE SPECIAL PROVISIONS.

SEALED MANHOLES WILL BE REQUIRED IN AREAS LIKELY TO BE INUNDATED, NEAR WATERWAYS, AND WITHIN 100 YEAR AND 500 YEAR FLOOD ZONES, INCLUDING AREAS OF UNDETERMINED FLOODING.

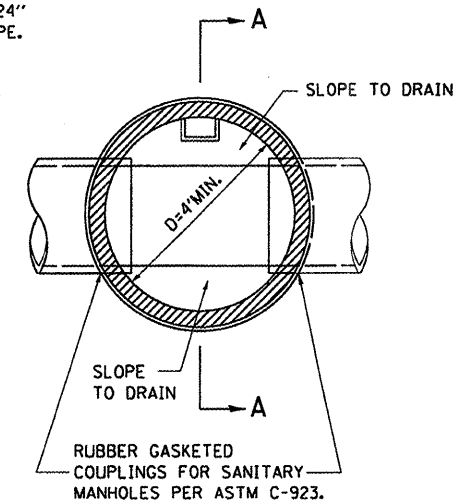
ANCHOR BOLTS TO BE 1" DIA. THREADED ROD W/ WASHER AND NUT FASTENED TO MANHOLE. PROVIDED AND INSTALL (5) EACH FOR EACH SEALED MANHOLE, COST TO BE INCLUDED IN SANITARY MANHOLE TYPE A.

ANCHORS REQUIRED FOR SEALED MANHOLES OR MANHOLES IN ROCK ROAD AREAS ONLY.



6" COMPACTED SUB-BASE GRANULAR MATERIAL TYPE A SHALL BE PLACED ON SOLID, UNDISTURBED EARTH. IF OVER EXCAVATION OCCURS, FILL WITH COMPACTED SUB-BASE GRANULAR MATERIAL TYPE A, NOT EARTH, COST TO BE INCLUDED IN SANITARY MANHOLE TYPE A.

**SECTION A-A**



**SECTIONAL PLAN**

NOTES:  
STEPS REQUIRED, UNLESS DELETED BY SPECIAL PROVISIONS.

SEPARATE SANITARY SEWER MANHOLES SUBJECT TO SATURATED SOIL CONDITIONS OR SURFACE SUBMERGENCE SHALL BE EQUIPPED WITH CHIMNEY SEALS AND WATER TIGHT MANHOLE COVERS.

MANHOLE SHALL CONFORM TO THE ILLINOIS STANDARD SPECIFICATIONS FOR WATER AND SEWER MAIN CONSTRUCTION (LATEST EDITION).

**TYPICAL SANITARY MANHOLE TYPE A**

(NOT TO SCALE)

FILE NAME = 27855-shr-SANdetail.dgn	USER NAME = moisiogrosor	DESIGNED -	REVISED -
		DRAWN -	REVISED -
	PLOT SCALE = 48.8888' / IN.	CHECKED -	REVISED -
	PLOT DATE = 3/13/2009	DATE -	REVISED -

**STATE OF ILLINOIS  
DEPARTMENT OF TRANSPORTATION**

<b>SANITARY SEWER DETAILS</b>				
SCALE:	SHEET NO.	OF	SHEETS	STA. TO STA.

F.A.U. RTE.	SECTION	COUNTY	TOTAL SHEETS	SHEET NO.
9274	04-00202-00-BR	ST. CLAIR	55	17
CONTRACT NO. 97369				
FED. ROAD DIST. NO. 7 ILLINOIS FED. AID PROJECT				