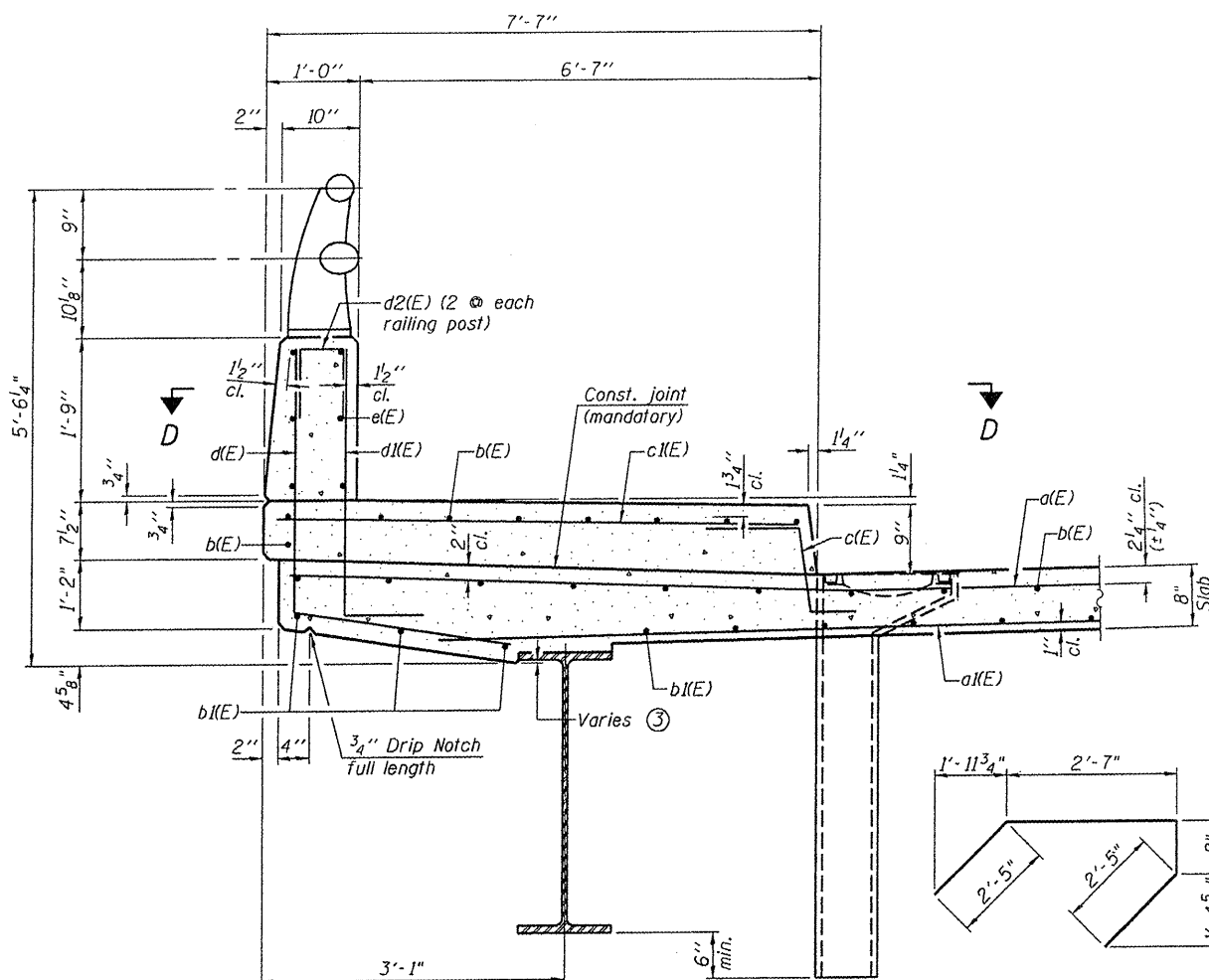


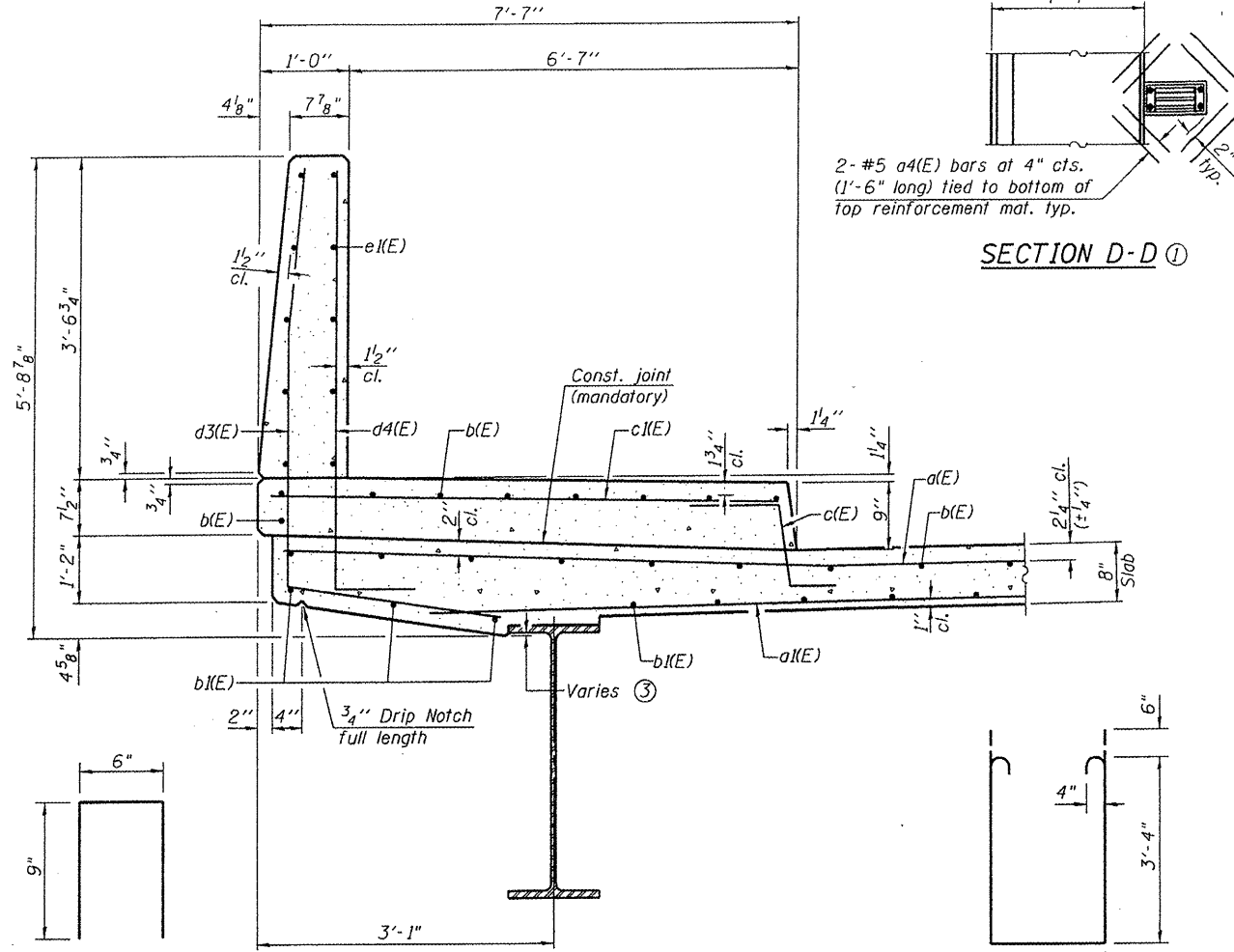
STATE OF ILLINOIS
DEPARTMENT OF TRANSPORTATION

**SUPERSTRUCTURE
BILL OF MATERIAL**

Bar	No.	Size	Length	Shape
a(E)	129	#5	40'-6"	—
a1(E)	97	#5	38'-10"	—
a2(E)	15	#7	13'-7"	—
a3(E)	10	#7	31'-11"	—
a4(E)	32	#5	1'-6"	—
b(E)	120	#5	41'-0"	—
b1(E)	108	#5	27'-11"	—
c(E)	162	#5	2'-5"	—
c1(E)	162	#5	7'-1"	—
d(E)	148	#4	5'-3"	—
d1(E)	148	#6	4'-1"	—
d2(E)	32	#4	2'-0"	—
d3(E)	20	#4	7'-0"	—
d4(E)	20	#6	5'-10"	—
e(E)	48	#4	17'-10"	—
e1(E)	40	#4	3'-8"	—
m(E)	6	#6	35'-3"	—
m1(E)	12	#6	15'-0"	—
m2(E)	5	#6	11'-7"	—
m3(E)	2	#6	3'-0"	—
m4(E)	6	#6	35'-3"	—
s(E)	39	#4	11'-5"	—
u(E)	4	#5	10'-6"	—
u2(E)	4	#5	8'-1"	—
v(E)	40	#5	3'-4"	—
x(E)	30	#5	6'-11"	—
x1(E)	40	#5	4'-7"	—
Reinforcement Bars, Epoxy Coated		Pound	24,710	
Concrete Superstructure		Cu. Yds.	173.5	



SECTION THRU SIDEWALK & PARAPET



SECTION THRU SIDEWALK & END POST

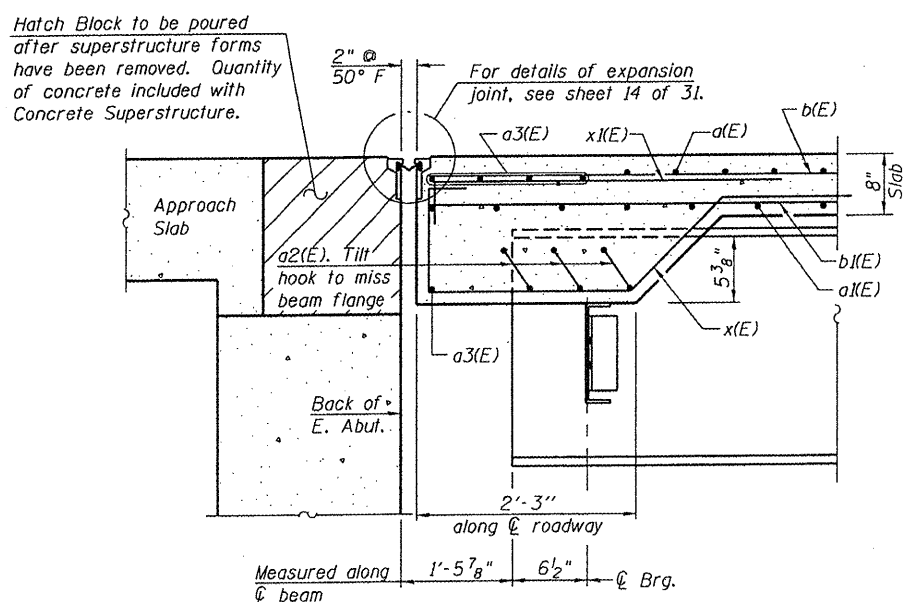
SECTION D-D (1)

2-#5 a4(E) bars at 4" cts. (1'-6" long) tied to bottom of top reinforcement mat. typ.

BAR u2(E)

BAR d2(E)

BAR s(E)



SECTION A-A

BAR d3(E)

BARS d1(E) & d4(E)

BAR x(E)

BAR c(E)

- Notes:
- ① Cut longitudinal reinforcement to clear drainage scuppers.
 - ② For Inside Elevation of Parapets and Parapet Joint Details, see sheet 8 of 31.
 - ③ Dimension varies throughout the length of the structure from 1/4" minimum at the maximum fascia beam fillet height.
 - ④ For bar u(E) details see sheet 23 of 31.

**SUPERSTRUCTURE DETAILS
STRUCTURE NO. 082-6113**

BAR d(E)

BAR v(E)

BAR x1(E)

BAR a2(E)

SHEET NO. 9 31 SHEETS	F.A.U. RTE. 9274	SECTION 04-00202-00-BR	COUNTY ST. CLAIR	TOTAL SHEETS 55	SHEET NO. 26
	CONTRACT NO. 97369				
FED. ROAD DIST. NO. 7 ILLINOIS FED. AID PROJECT					
<p>Eastport Business Center 1 100 Lanter Court, Suite 1 Collinsville, Illinois 62234 618-345-2200 Design Firm License No. 184.001115</p>			DESIGNED NEL CHECKED JAD DRAWN NEL CHECKED JAD		