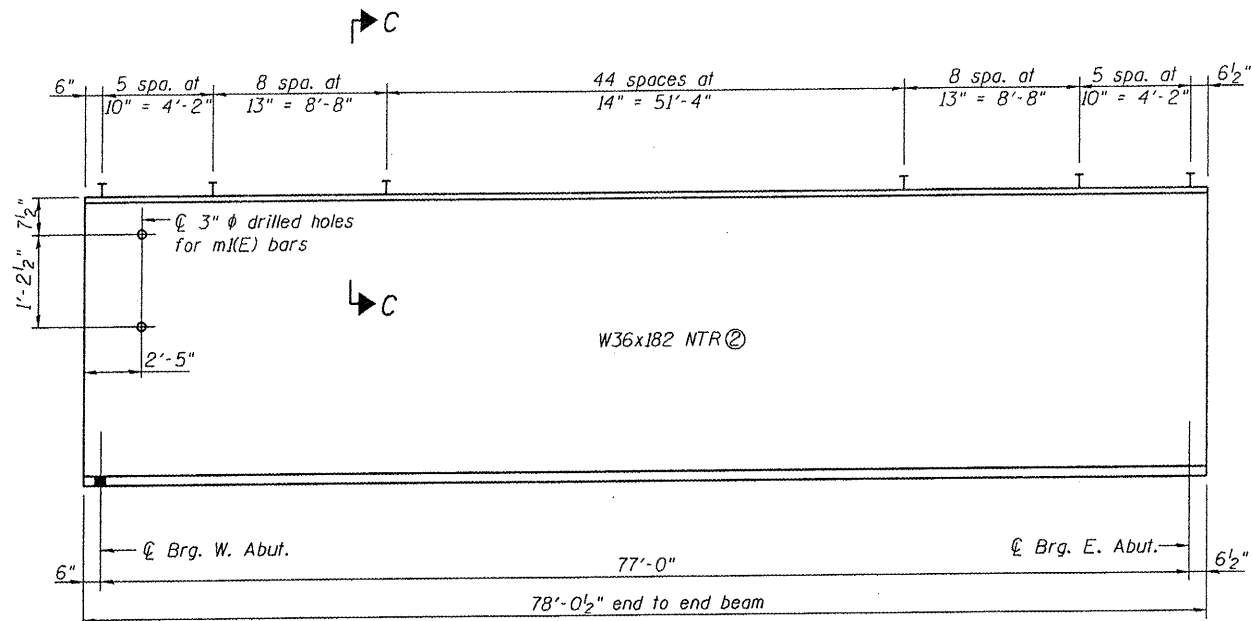


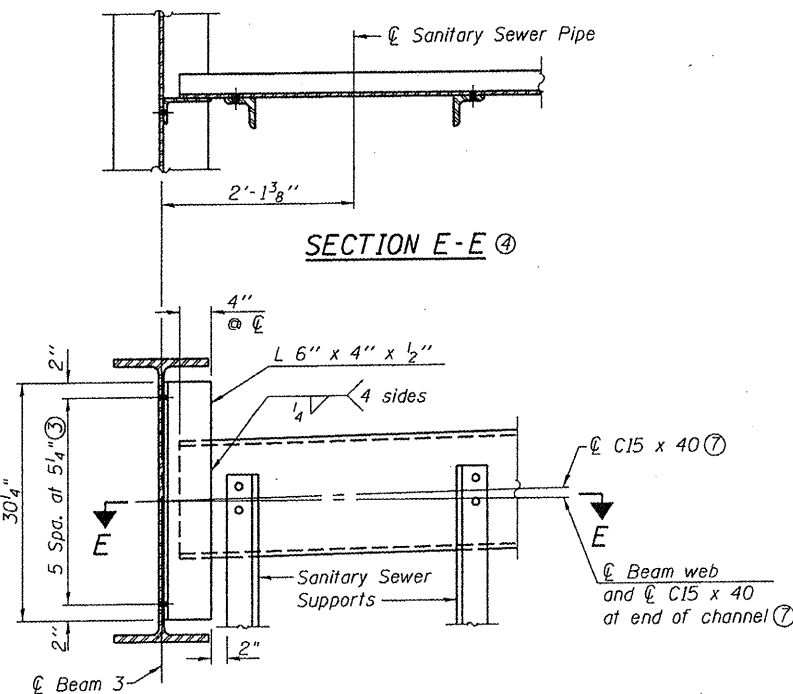
STATE OF ILLINOIS  
DEPARTMENT OF TRANSPORTATION



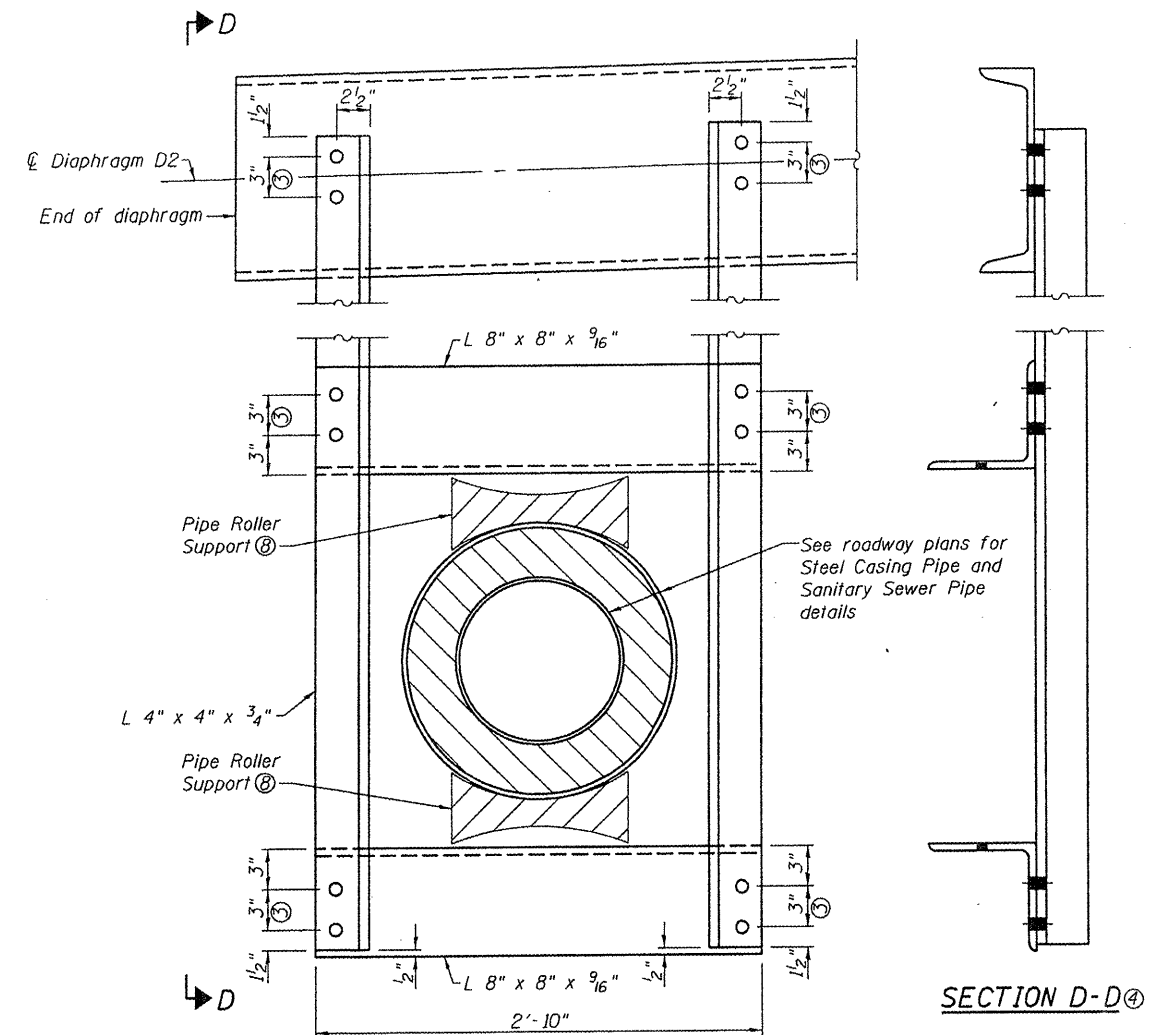
**BEAM ELEVATION**  
(6 Required)

TOP OF BEAM ELEVATIONS*						
	Beam #1	Beam #2	Beam #3	Beam #4	Beam #5	Beam #6
℄ Brg. W. Abut.	478.91	478.91	478.96	478.91	478.75	478.59
℄ Brg. E. Abut.	478.44	478.46	478.46	478.32	478.04	477.74

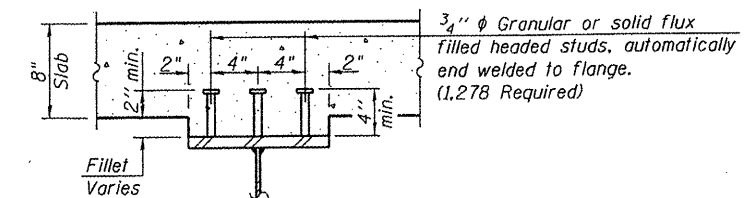
\*For fabrication only.



**INTERIOR DIAPHRAGM D2**  
(4 Required)




**SANITARY SEWER SUPPORT ELEVATION  
AT DIAPHRAGM D2**



**SECTION C-C**

**BEAM & FRAMING DETAILS  
STRUCTURE NO. 082-6113**

- Notes:
- Load carrying components designated "NTR" shall conform to the Supplemental Requirements for Notch Toughness, Zone 2.
  - AASHTO M270 Grade 50 Steel.
  - 3/4" φ HS bolts, 1 5/16" φ holes
  - Pipe and Pipe Roller Supports not shown for clarity.
  - All diaphragms shall be installed as steel is erected and secured with erection pins. Individual diaphragms at supports may be temporarily disconnected to install bearing anchor rods.
  - Two hardened washers required for each set of oversized holes.
  - Alternate C15 x 50 channels are permitted to facilitate material acquisition. Calculated weight of structural steel is based on the lighter section. The alternate, if utilized, shall be provided at no additional cost to the Department.
  - For detailed requirements for Pipe Roller Supports, see roadway plans and Special Provisions.
  - Sewer support system shall be detailed to maintain a constant flowline grade from back to back of abutment. Contractor to coordinate all details and include with shop drawings for approval by the Engineer.

SHEET NO. 17	F.A.U. RTE.	SECTION	COUNTY	TOTAL SHEETS	SHEET NO.
	9274	04-00202-00-BR	ST. CLAIR	55	34
31 SHEETS	CONTRACT NO. 97369			FED. ROAD DIST. NO. 7 ILLINOIS FED. AID PROJECT	
 <b>GATES ASSOCIATES</b> Consulting Engineers	Eastport Business Center 1 100 Lanter Court, Suite 1 Collinsville, Illinois 62234 618-345-2200 Design Firm License No. 184.001115			DESIGNED JAD CHECKED NEL DRAWN JAD CHECKED NEL	