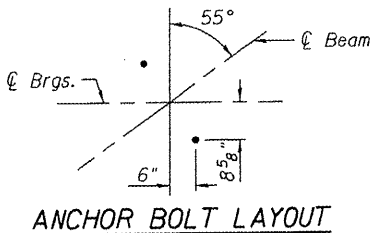
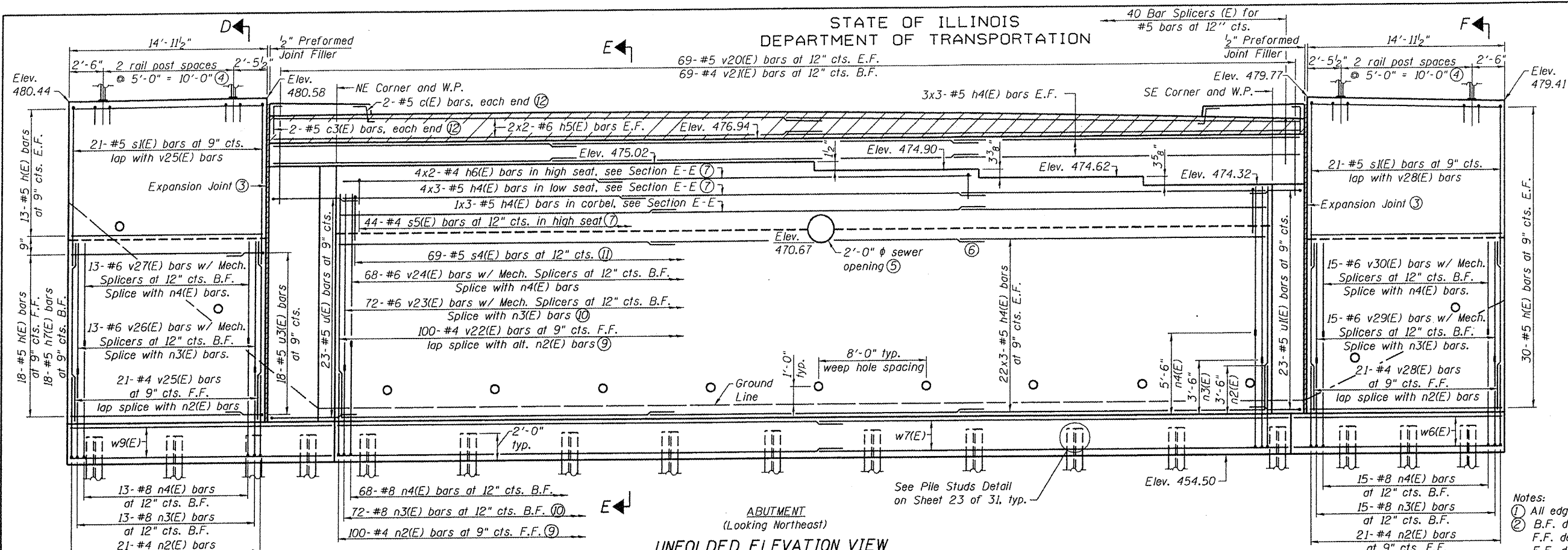
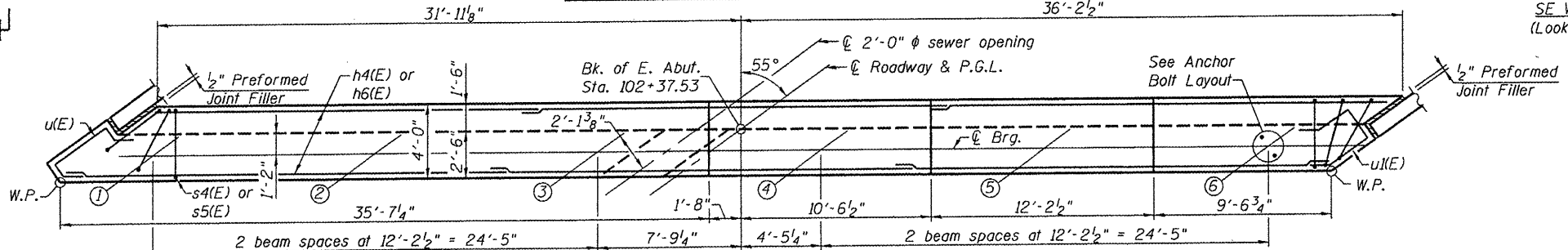


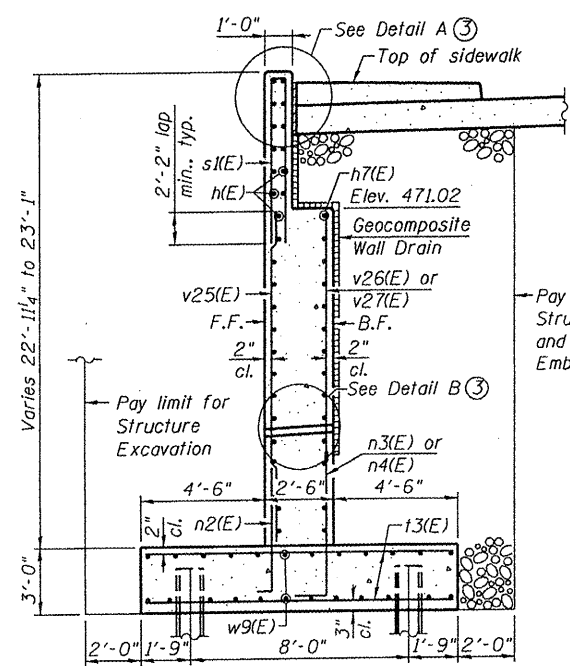
STATE OF ILLINOIS
DEPARTMENT OF TRANSPORTATION



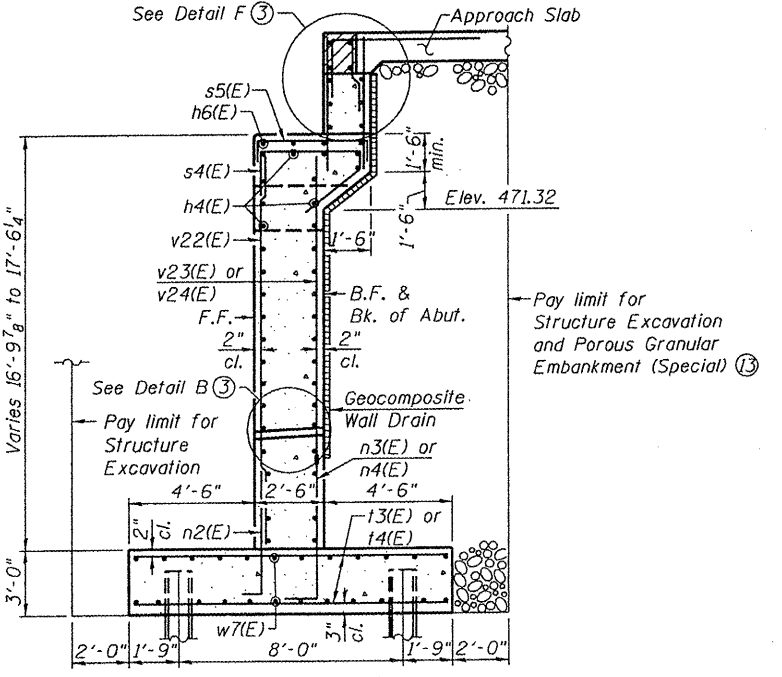
UNFOLDED ELEVATION VIEW



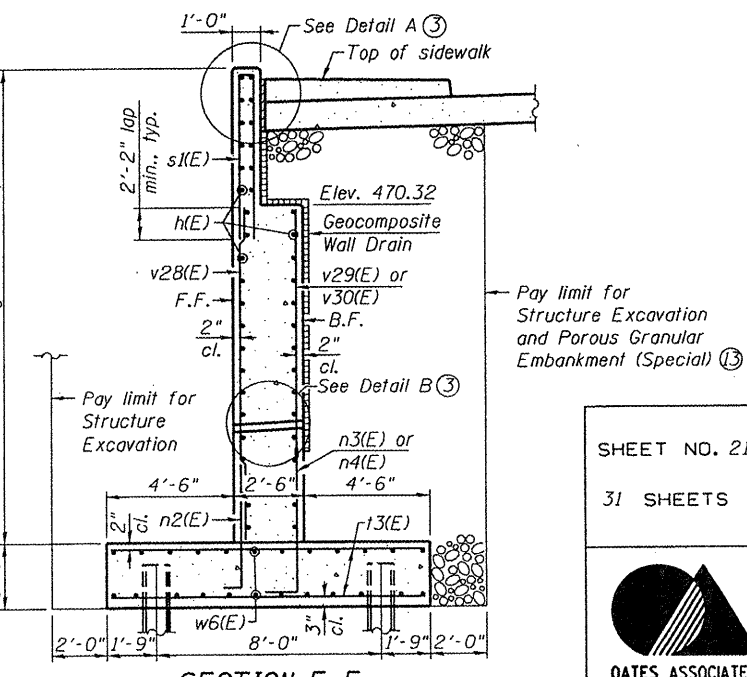
SEAT PLAN



SECTION D-D



SECTION E-E



SECTION F-F

- Notes:
- All edges shall have $\frac{3}{4}$ " chamfer unless noted otherwise.
 - B.F. denotes back face.
 - F.F. denotes front face.
 - E.F. denotes each face.
 - For Expansion Joint detail, Bar List, Bill of Materials, Detail A, Detail B, Detail F, and reinforcement details, see sheet 23 of 31.
 - 1 pair of s2(E) bars at each rail post = 6-#4 s2(E) bars.
 - For horizontal location of sewer opening, see Seat Plan. For sewer opening details, see sheet 23 of 31.
 - Minimum bar lap: #5 bars = 2'-5"
 - Space reinforcement in seat to miss anchor bolts.
 - Bars indicated thus 22x3-#5 etc. indicates 22 lines of bars with 3 lengths.
 - Total includes two bar F.F. of NE Corner and four bars F.F. of SE corner.
 - Total includes two bars B.F. of NE Corner and one bar B.F. of SE Corner.
 - Total includes two bars each end. Fan bars as required, see Seat Plan.
 - c(E) and c3(E) bars to be cast with Hatch Block.
 - Over excavation beyond the limits of Structure Excavation shall not be measured for payment. Over excavation beneath roadway, sidewalk, 2 feet beyond outside edge of sidewalk, and under proposed footings shall be backfilled according to Section 205 of the Standard Specification or according to the specifications of Porous Granular Embankment (Special). Backfill shall not be measured for payment and shall be incidental to Structure Excavation.
 - The East Abutment shall have all exposed surfaces of the backwall, bridge seat, and front face of stem treated with Concrete Sealer.

EAST ABUTMENT
STRUCTURE NO. 082-6113

SHEET NO. 21 31 SHEETS	F.A.U. RTE. 9274	SECTION 04-00202-00-BR	COUNTY ST. CLAIR	TOTAL SHEETS 55	SHEET NO. 38
	CONTRACT NO. 97369				
FED. ROAD DIST. NO. 7 ILLINOIS FED. AID PROJECT					
OATES ASSOCIATES Consulting Engineers Eastport Business Center 1 100 Lanter Court, Suite 1 Collinsville, Illinois 62234 618-345-2200 Design Firm License No. 184.001115			DESIGNED DGL CHECKED JAD DRAWN JAD CHECKED DGL		