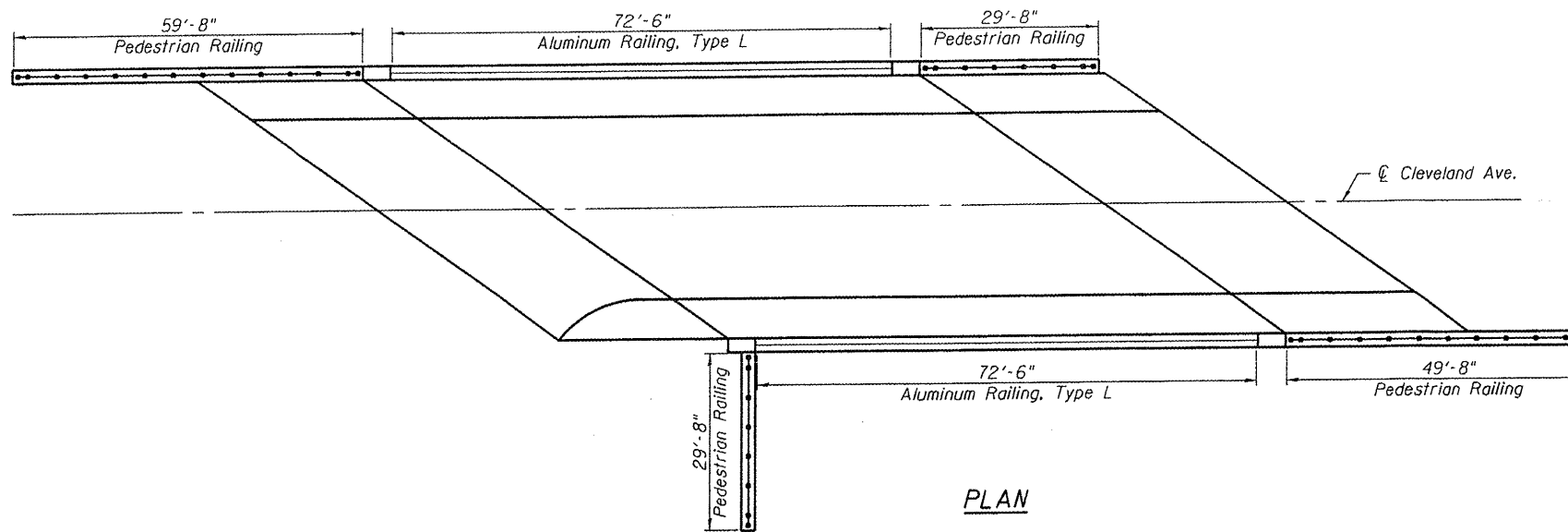
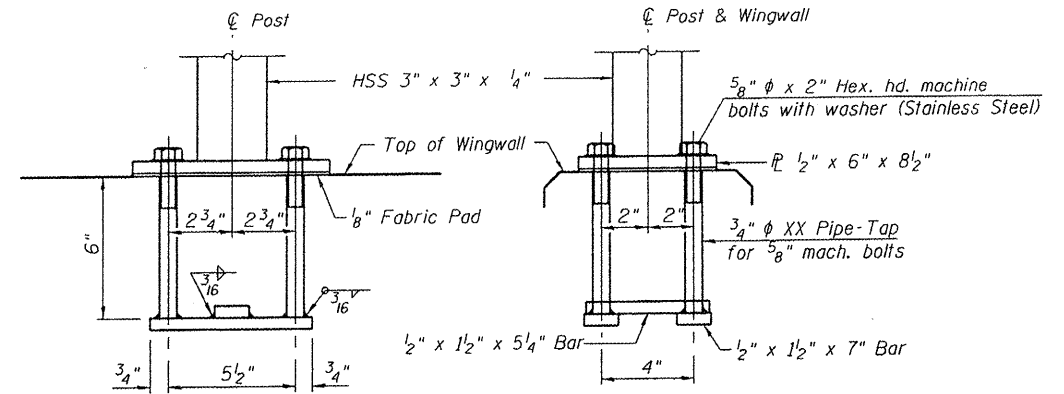


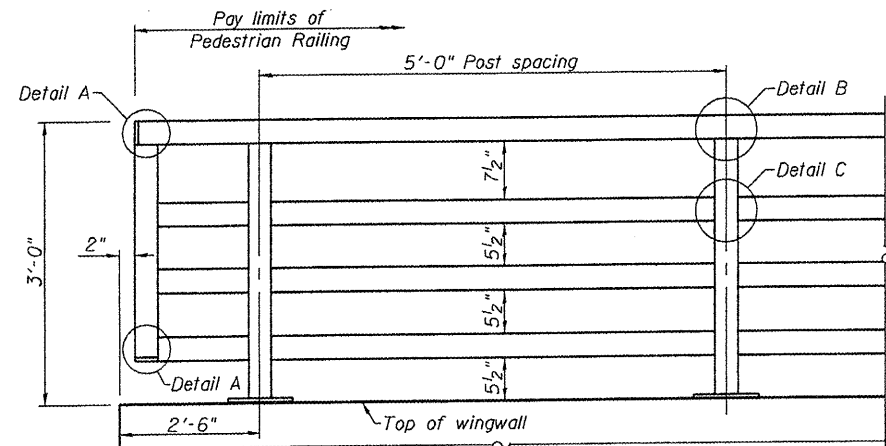
STATE OF ILLINOIS
DEPARTMENT OF TRANSPORTATION



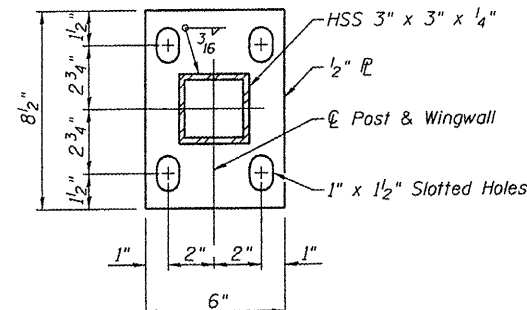
PLAN



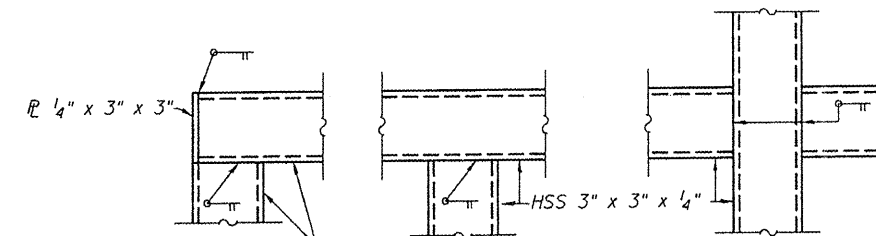
ANCHOR BOLT DETAILS



PEDESTRIAN RAILING ELEVATION



BASE PL



DETAIL A

DETAIL B

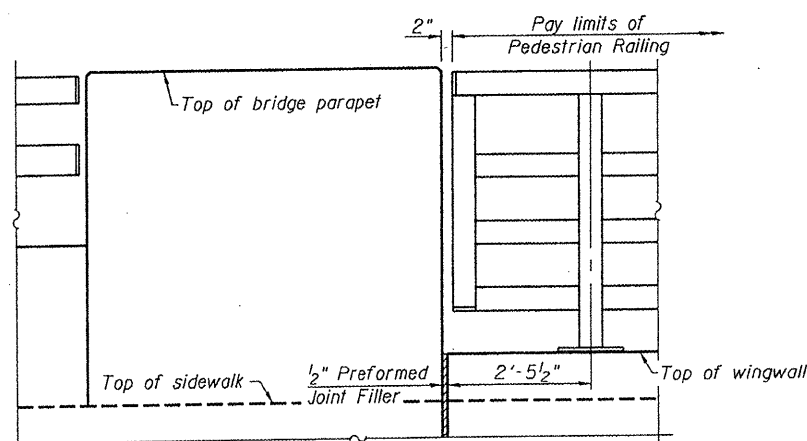
DETAIL C

Notes:

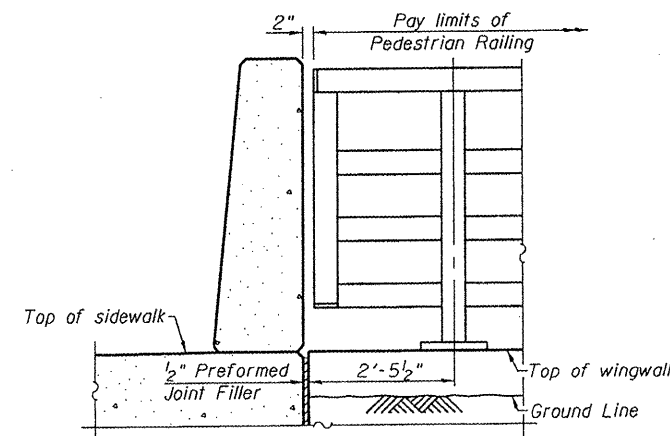
- Railing shall be according to Section 509 of the Standard Specifications, except as noted, and will be paid for at the contract unit price per foot for Pedestrian Railing.
- Hollow structural steel tubing shall conform to the requirements of ASTM designation A500, Grade B, Structural Steel Tubing.
- All other steel shapes and plates shall conform to the requirements of AASHTO M 270 Grade 36.
- In lieu of the cast in place anchor device shown, the contractor has the option of drilling and epoxy grouting 5/8" anchor rods. Embedment shall be according to the manufacturer's specifications.
- If the option of drilling and epoxy grouting the anchor rods is chosen, the contractor shall use the capsule or the adhesive cartridge type anchor rods that have been previously tested and given prior approval by the Illinois Department of Transportation. The contractor shall install these anchor rods in pre-drilled holes according to the recommendations and procedures of the epoxy manufacturer. The adhesive cartridge shall be sealed with premeasured amounts of the adhesive chemical.
- All posts, railings, anchor devices, and plates shall be galvanized after shop fabrication according to AASHTO M111 and ASTM A 385. All bolts, nuts, and washers shall be galvanized according to AASHTO M232.

BILL OF MATERIAL

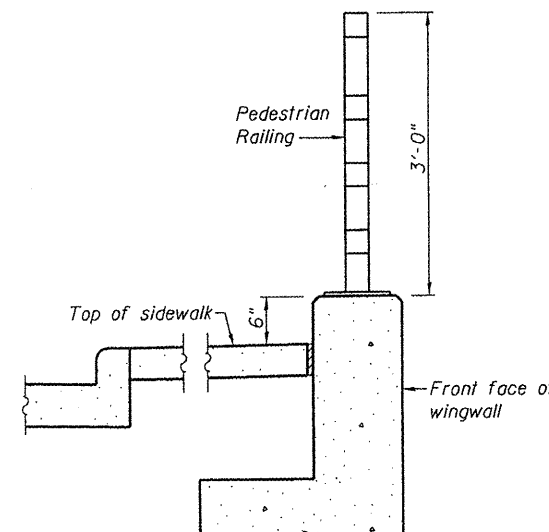
Item	Unit	Total
Pedestrian Railing	Foot	169



PEDESTRIAN RAILING ELEVATION
AT BRIDGE PARAPET
(N.W., N.E., & S.E. wingwalls)



PEDESTRIAN RAILING ELEVATION
AT BRIDGE PARAPET
(S.W. wingwall only)



SECTION THRU SIDEWALK

PEDESTRIAN RAILING
STRUCTURE NO. 082-6113

SHEET NO. 28 31 SHEETS	F.A.U. RTE. 9274	SECTION 04-00202-00-BR	COUNTY ST. CLAIR	TOTAL SHEETS 55	SHEET NO. 45
	CONTRACT NO. 97369				
FED. ROAD DIST. NO. 7 ILLINOIS FED. AID PROJECT					
GATES ASSOCIATES Consulting Engineers			Eastport Business Center 1 100 Laner Court, Suite 1 Collinsville, Illinois 62234 618-345-2200 Design Firm License No. 184.001115		
DESIGNED DGL			CHECKED JAD		
DRAWN JAD			CHECKED DGL		