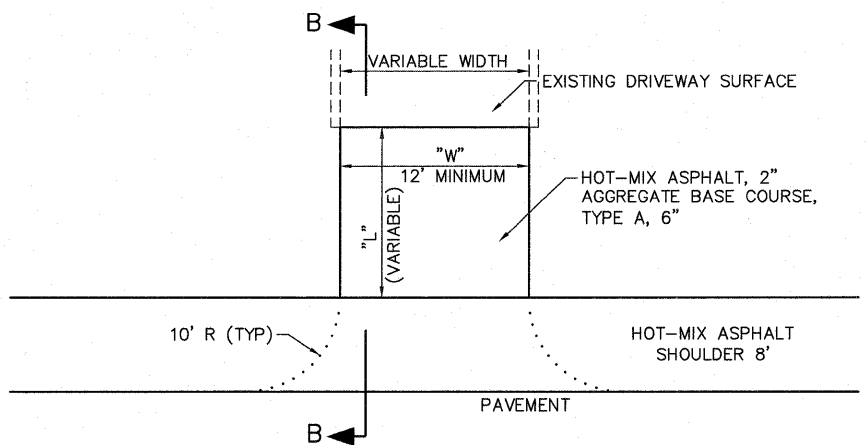
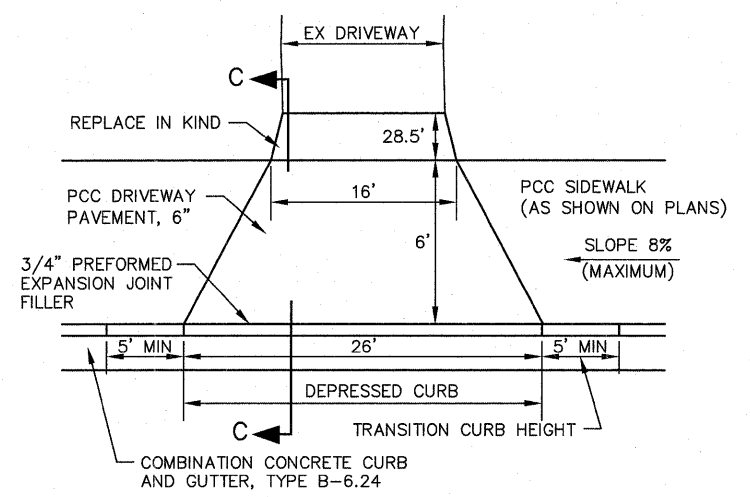


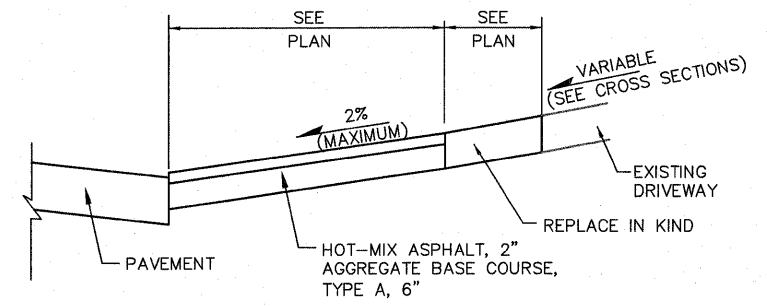
TYPICAL COMMERCIAL ENTRANCE DETAIL
 (NOT TO SCALE)



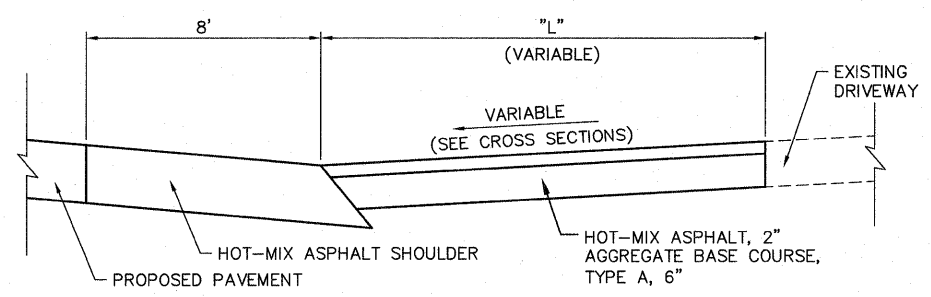
TYPICAL ENTRANCE DETAIL AT LOCATIONS ALONG HOT-MIX ASPHALT SHOULDERS
 (NOT TO SCALE)



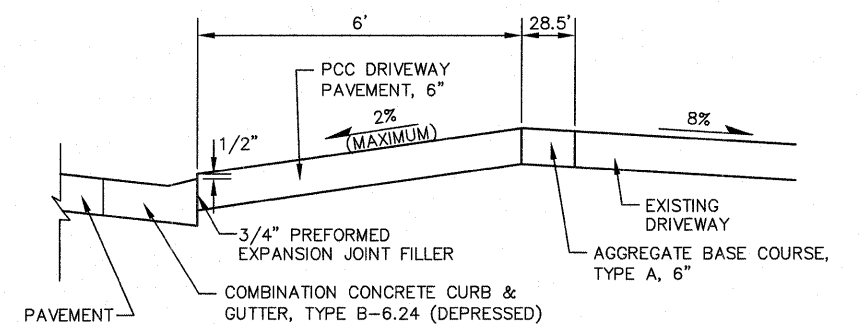
TYPICAL FIELD ENTRANCE DETAIL
 NOT TO SCALE



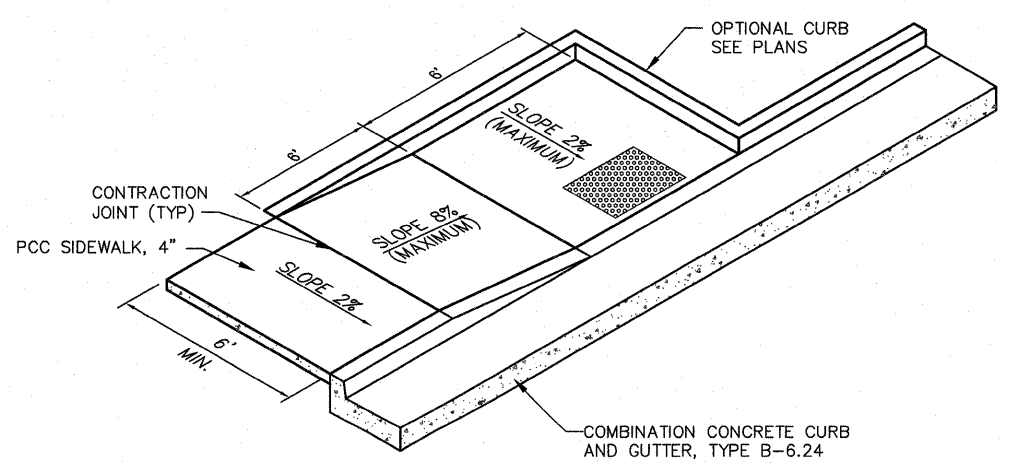
SECTION A-A
 (NOT TO SCALE)



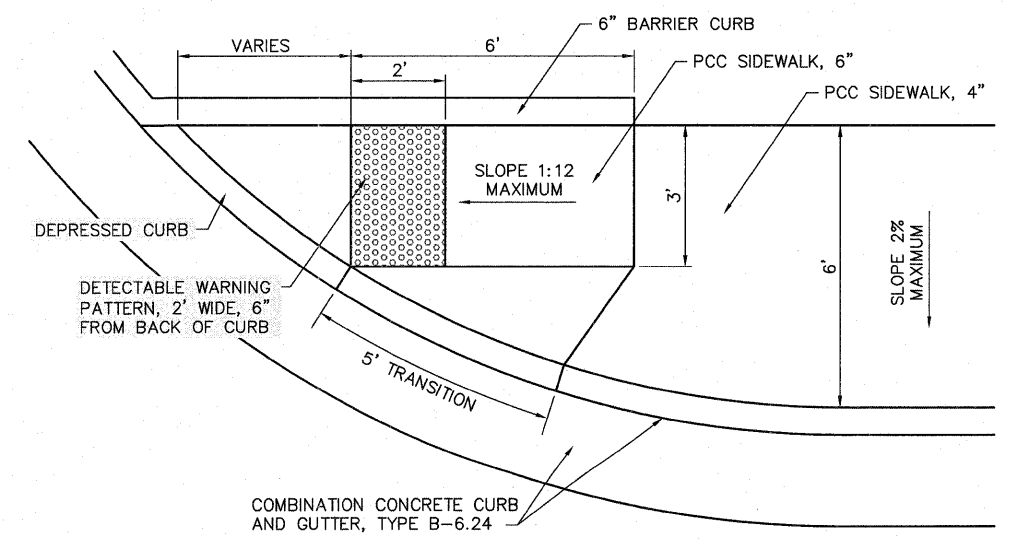
SECTION B-B
 (NOT TO SCALE)



SECTION C-C
 NOT TO SCALE



SIDEWALK RAMP DETAIL
 (NOT TO SCALE)



SIDEWALK RAMP DETAIL
 (NOT TO SCALE)
 SEE PLANS FOR LOCATION

FILE NAME = 519DT01 GENERAL.DWG	USER NAME = SAM WRIGLEY	DESIGNED - TLC	REVISED -	SOUTHERN ILLINOIS UNIVERSITY EDWARDSVILLE	CONSTRUCTION DETAILS			F.A. RTE.	SECTION	COUNTY	TOTAL SHEETS	SHEET NO.
		DRAWN - SW3	REVISED -					05-00005-00-RP	MADISON	42	23	
PLOT SCALE = 1" = 1'	CHECKED - AJG	REVISED -			CONTRACT NO. 07304							
PLOT DATE = 2009-05-07	DATE - 2009-03-04	REVISED -			SCALE:	SHEET NO. OF SHEETS	STA. TO STA.	FED. ROAD DIST. NO.	ILLINOIS	FED. AID PROJECT		