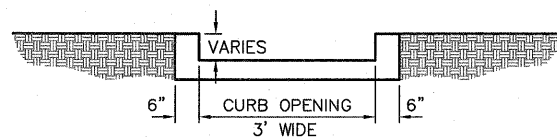
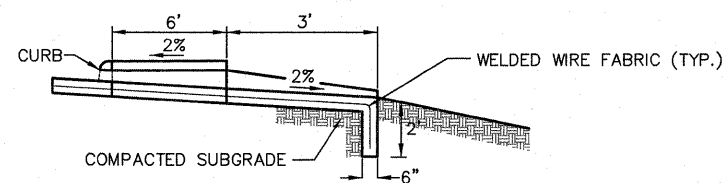


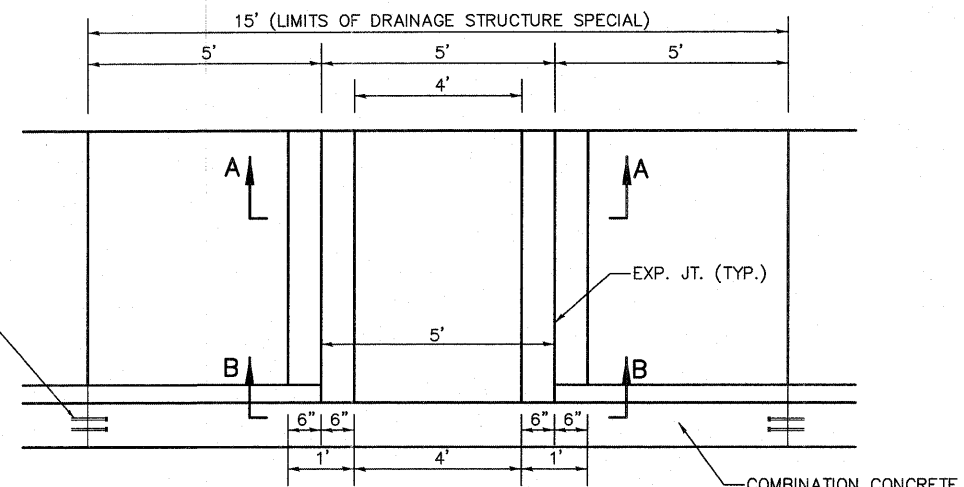
PLAN



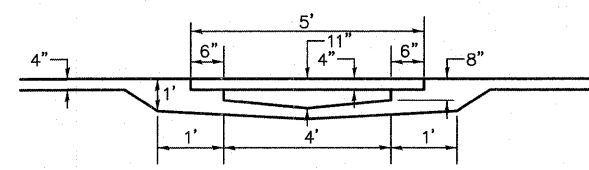
SECTION B-B



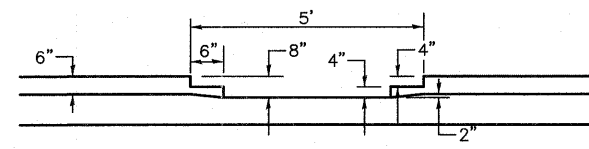
SECTION A-A



PLAN



SECTION A-A

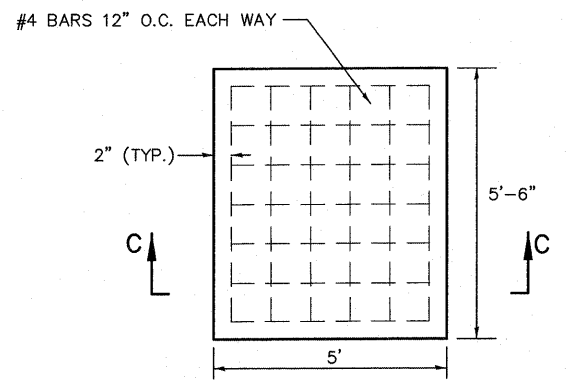


SECTION B-B

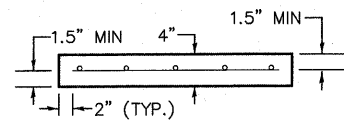
- NOTES:
1. CURB AND GUTTER THROUGH DRAINAGE STRUCTURE LIMITS TO BE PAID FOR AS CONCRETE CURB AND GUTTER TYPE B 6-24.
 2. SIDEWALK WITHIN 7'-6" OF DRAINAGE STRUCTURE CENTERLINE TO BE PAID FOR AS DRAINAGE STRUCTURE SPECIAL.

DRAINAGE STRUCTURE SPECIAL DETAILS

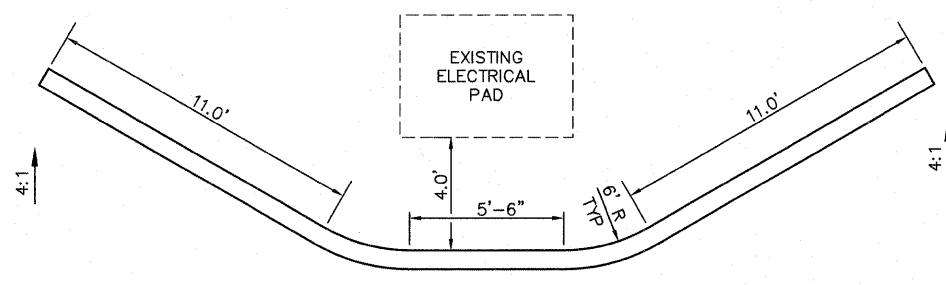
(NOT TO SCALE)



DRAINAGE STRUCTURE LID



SECTION C-C



PLAN VIEW

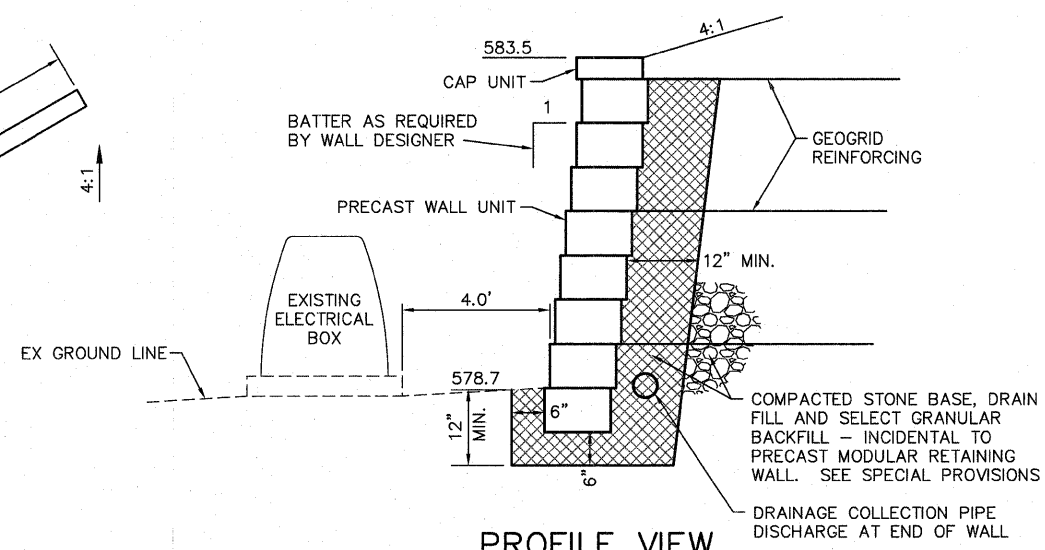
(NOT TO SCALE)

NOTE:
 QUANTITIES SHOWN SHALL BE VERIFIED BY WALL DESIGNER. ACTUAL MEASUREMENTS AND PAYMENT SHALL BE IN ACCORDANCE WITH SPECIAL PROVISIONS.

PROPOSED WALLS NOT TO EXCEED FIVE FEET IN HEIGHT MEASURED FROM THE FINISHED GRADE LINE TO TOP OF WALL.

REMOVE EXISTING BANK AS NECESSARY TO INSTALL REINFORCING GEOGRID. COMPACT SOILS OVER GEOGRID PER MANUFACTURER'S RECOMMENDATION - INCIDENTAL TO PRECAST MODULAR RETAINING WALL.

PROVIDE POSITIVE DRAINAGE AWAY FROM EXISTING CONCRETE ELECTRICAL BOX.



PROFILE VIEW

(NOT TO SCALE)

PRECAST MODULAR RETAINING WALL DETAIL

(NOT TO SCALE)

FILE NAME = 519DT01 GENERAL.DWG	USER NAME = SAM WRIGLEY	DESIGNED - TLC	REVISED -	SOUTHERN ILLINOIS UNIVERSITY EDWARDSVILLE	CONSTRUCTION DETAILS			F.A. RTE.	SECTION	COUNTY	TOTAL SHEETS	SHEET NO.
		DRAWN - SW3	REVISED -					05-00005-00-RP	MADISON	42	24	
	PLOT SCALE = 1' = 1'	CHECKED - AJG	REVISED -		SCALE: SHEET NO. OF SHEETS STA. TO STA.			FED. ROAD DIST. NO.	ILLINOIS	FED. AID PROJECT	CONTRACT NO. 97384	
	PLOT DATE = 2009-05-07	DATE - 2009-03-04	REVISED -									