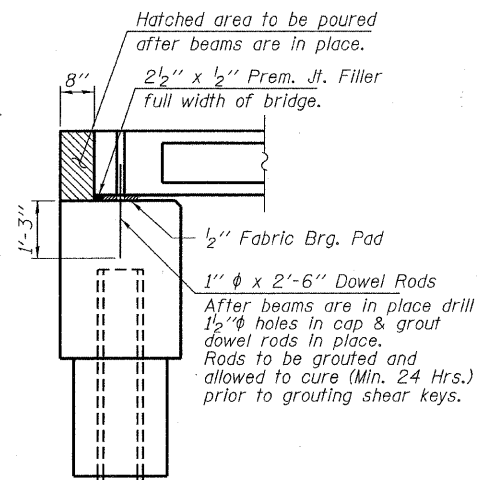
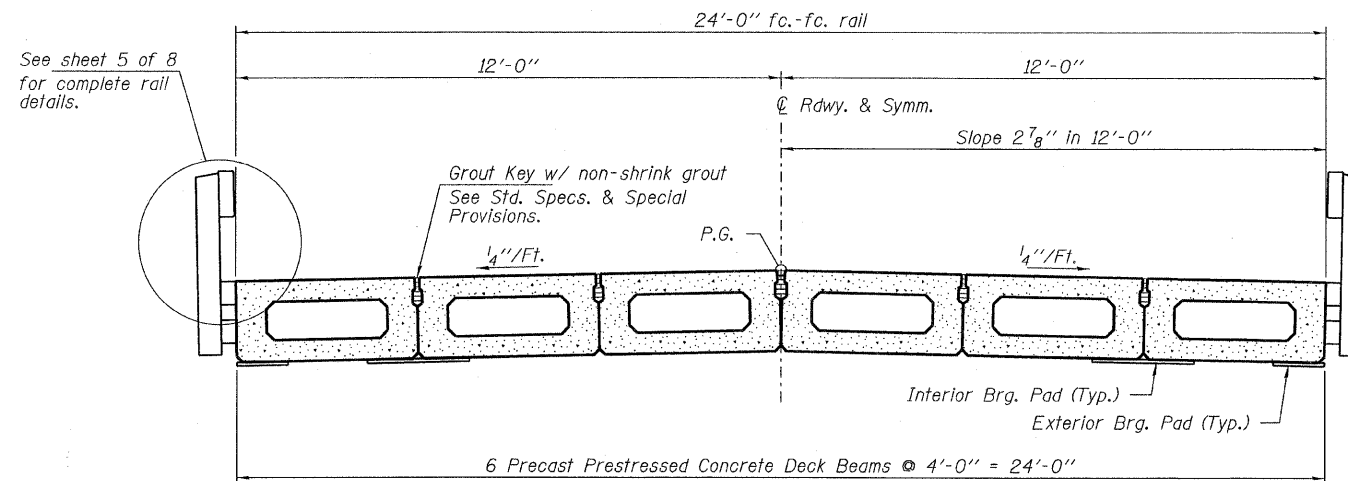


**DETAIL A**



**SECTION AT ABUTMENTS**

© Rt. L's

DESIGNED - S.M.S.
CHECKED - M.G.B.
DRAWN - D.T.M.
CHECKED - D.A.B.

**SUPERSTRUCTURE DETAILS**  
**STRUCTURE NO. 097-3255**

<b>HAMPTON, LENZINI &amp; RENWICK, INC.</b> CIVIL & STRUCTURAL ENGINEERS LAND SURVEYORS  <b>HLR</b> 3085 STEVENSON DRIVE, SUITE 201 SPRINGFIELD, ILLINOIS 62703 (217) 546-3400	PROJECT NUMBER: 08.0262.130    DATE: 05/26/09	SHEET NO. 4		T.R.	SECTION	COUNTY	TOTAL SHEETS	SHEET NO.
		8 SHEETS		237	06-02123-00-BR	WHITE	12	8
				CONTRACT NO. 99364				
				FED. ROAD DIST. NO.	ILLINOIS	FED. AID PROJECT		