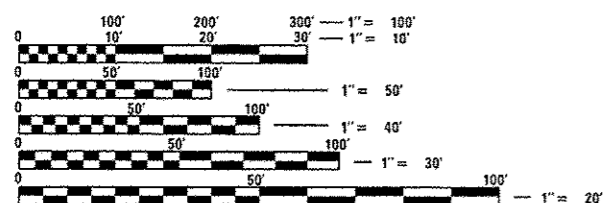
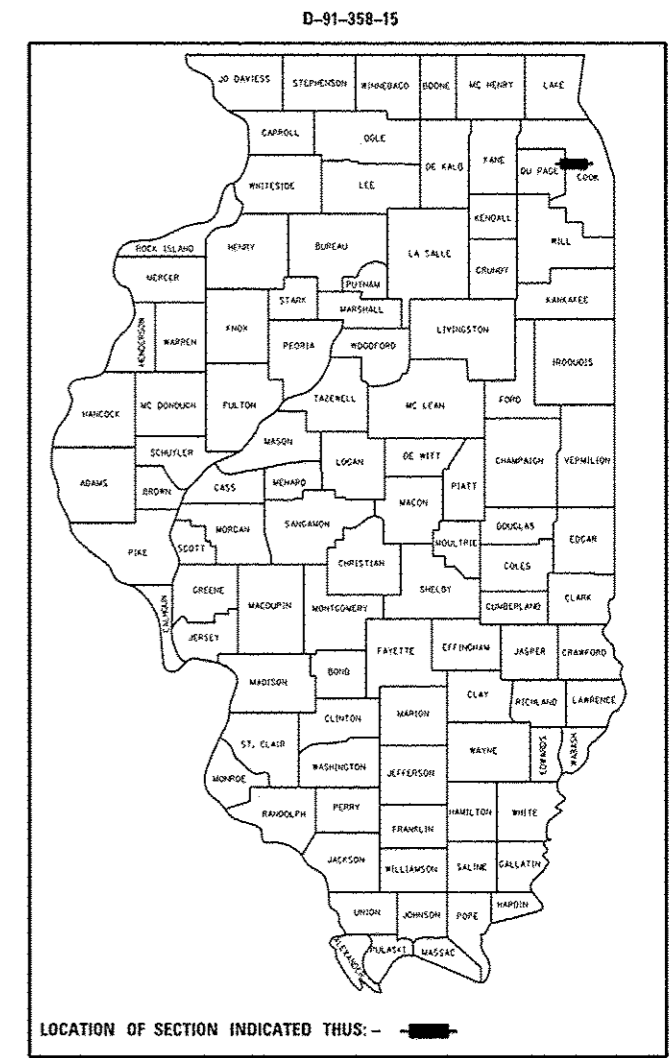


STATE OF ILLINOIS
DEPARTMENT OF TRANSPORTATION
DIVISION OF HIGHWAYS
**PROPOSED
HIGHWAY PLANS**
F.A.P. 347 IL 38 (ROOSEVELT RD.)
SECTION 2015-037RS
I-294 TO HARRISON ST.
RESURFACING (3P)
COOK COUNTY
C-91-358-15

F.A.P. RTE.	SECTION	COUNTY	TOTAL SHEETS	SHEET NO.
347	2015-037RS	COOK	15	1
FED. ROAD DIST. NO.	ILLINOIS	CONTRACT NO. 62A96		

FOR INDEX OF SHEETS, SEE SHEET NO. 2

THE IMPROVEMENT IS LOCATED
WITHIN THE VILLAGE OF HILLSIDE

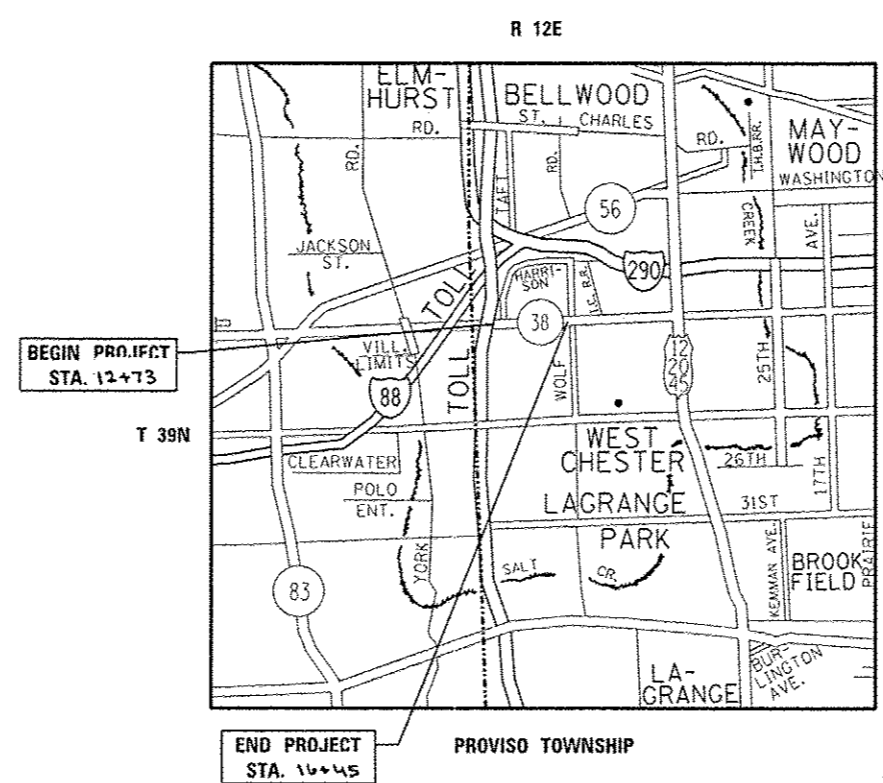


FULL SIZE PLANS HAVE BEEN PREPARED USING STANDARD ENGINEERING SCALES. REDUCED SIZED PLANS WILL NOT CONFORM TO STANDARD SCALES. IN MAKING MEASUREMENTS ON REDUCED PLANS, THE ABOVE SCALES MAY BE USED.

J.U.L.I.E.
JOINT UTILITY LOCATION INFORMATION FOR EXCAVATION
1-800-892-0123
OR 811

PROJECT ENGINEER: JENPAI CHANG (847) 705-4432
PROJECT MANAGER: KEN ENG (847) 702-4247

CONTRACT NO. 62A96



GROSS AND NET LENGTH OF PROJECT = 372 FT = 0.07 MI.

TRAFFIC DATA

2013 ADT - 27,000
POSTED SPEED LIMIT - 45 MPH (EASTBOUND)
55 MPH (WESTBOUND)

STATE OF ILLINOIS
DEPARTMENT OF TRANSPORTATION
DIVISION OF HIGHWAYS

SUBMITTED May 20 2015

[Signature]
DEPUTY DIRECTOR OF HIGHWAYS, REGION ENGINEER

June 26 2015
[Signature]
ENGINEER OF DESIGN AND ENVIRONMENT

June 26 2015
[Signature]
DIRECTOR OF HIGHWAYS, CHIEF ENGINEER

**PRINTED BY THE AUTHORITY
OF THE STATE OF ILLINOIS**

INDEX OF SHEETS

LIST OF STATE STANDARDS

GENERAL NOTES

SHEET NO. DESCRIPTION

- 1 COVER SHEET
- 2 INDEX OF SHEETS, STANDARDS, AND GENERAL NOTES
- 3-4 SUMMARY OF QUANTITIES
- 5 EXISTING & PROPOSED TYPICAL SECTIONS
- 6 ROADWAY & PAVEMENT MARKINGS PLANS
- 7 DETAILS FOR FRAMES AND LIDS ADJUSTMENT WITH MILLING (BD-8)
- 8 PAVEMENT PATCHING FOR HMA SURFACED PAVEMENT (BD-22)
- 9 BUTT JOINT AND HMA TAPER DETAILS (BD-32)
- 10 TRAFFIC CONTROL AND PROTECTION FOR SIDE ROADS, INTERSECTIONS, AND DRIVEWAYS (TC-10)
- 11 TYPICAL APPLICATIONS RAISED REFLECTIVE PAVEMENT MARKERS (SNOW-PLOW RESISTANT) (TC-11)
- 12 DISTRICT ONE TYPICAL PAVEMENT MARKINGS (TC-13)
- 13 TRAFFIC CONTROL AND PROTECTION AT TURN BAYS (TO REMAIN OPEN TO TRAFFIC) (TC-14)
- 14 PAVEMENT MARKING LETTERS AND SYMBOLS FOR TRAFFIC STAGING (TC-16)
- 15 ARTERIAL ROAD INFORMATION SIGN (TC-22)

STANDARD NO. DESCRIPTION

- 00001-06 STANDARD SYMBOLS, ABBREVIATIONS AND PATTERNS
- 442201-03 CLASS C AND D PATCHES
- 604001-04 FRAME AND LIDS, TYPE 1
- 701422-07 LANE CLOSURE, MULTILANE, FOR SPEEDS > 45 TO 55 MPH
- 701601-09 URBAN LANE CLOSURE, MULTILANE, 1W OR 2W WITH NONTRAVERSABLE MEDIAN
- 701901-04 TRAFFIC CONTROL DEVICES

BEFORE STARTING ANY EXCAVATION, THE CONTRACTOR SHALL CALL "JULIE" AT 800-892-0123 OR 811 FOR FIELD LOCATIONS OF BURIED ELECTRIC, TELEPHONE AND GAS FACILITIES. (48 HOUR NOTIFICATION IS REQUIRED).

THE CONTRACTOR SHALL COORDINATE CONSTRUCTION ACTIVITIES WITH UTILITY COMPANIES AND VILLAGE OF HILLSIDE.

THE CONTRACTOR WILL NOT BE ALLOWED TO SET UP A YARD OR FIELD OFFICE ON STATE PROPERTY WITHOUT WRITTEN PERMISSION FROM THE DEPARTMENT.

WHEN MILLED PAVEMENT IS OPEN TO TRAFFIC THE MAXIMUM GRADE DIFFERENTIAL BETWEEN PASSES OF THE MILLING MACHINE SHALL NOT EXCEED 1 1/2 INCHES (40 MM) WHERE THE SPEED LIMIT IS 45 MPH (45 KM/H) OR LESS AND 1 INCH WHERE THE SPEED LIMIT IS GREATER THAN 45 MPH (45 KM/H). WITH WRITTEN APPROVAL FROM THE ENGINEER, A MAXIMUM GRADE DIFFERENTIAL OF 3 INCHES MAY BE ALLOWED IF THE EDGE OF THE MILLING IS SLOPED A MINIMUM 1:3 (V:H).

BUTT JOINTS WILL BE INSTALLED AT THE ENDS OF ALL RESURFACING (WHERE RESURFACING MEETS EXISTING PAVEMENT), IN ACCORDANCE WITH THE "BUTT JOINT AND HOT-MIX ASPHALT TAPER DETAILS" SHEET INCLUDED IN THE PLANS, UNLESS OTHERWISE SPECIFIED.

THE RESIDENT ENGINEER SHALL CONTACT MR. DON CHIARUGI, AREA TRAFFIC FIELD ENGINEER, AT (847) 714-9857 A MINIMUM OF 2 WEEKS PRIOR TO PLACEMENT OF PERMANENT PAVEMENT MARKING.

THE RESIDENT ENGINEER SHALL VERIFY ALL EXISTING PAVEMENT MARKINGS BEFORE MILLING.

DO NOT SCALE PLANS FOR CONSTRUCTION DIMENSIONS

DOUBLE LANE MARKERS ARE TO BE USED AS SHOWN ON THE ALL PAVEMENT PATCHING LOCATIONS WILL BE DETERMINED IN THE FIELD BY THE ENGINEER

DISTRICT ONE DETAIL "TYPICAL APPLICATIONS - RAISED REFLECTIVE PAVEMENT MARKERS (SNOW-PLOW RESISTANT)" SHOWN IN THE PLANS.

IT SHALL BE THE CONTRACTOR'S RESPONSIBILITY TO VERIFY ALL DIMENSIONS AND CONDITIONS EXISTING IN THE FIELD PRIOR TO CONSTRUCTION AND ORDERING OF MATERIALS.

THE CONTRACTOR SHALL CONTACT THE DISTRICT ONE TRAFFIC CONTROL SUPERVISOR AT (847) 705-4470 A MINIMUM OF 72 HOURS IN ADVANCE OF BEGINNING WORK.

THE CONTRACTOR SHALL BE REQUIRED TO PROVIDE ACCESS TO ADJUTING PROPERTY AT ALL TIMES DURING THE CONSTRUCTION OF THIS PROJECT.

ALL PAVEMENT PATCHING LOCATIONS WILL BE DETERMINED IN THE FIELD BY THE ENGINEER

FILE NAME	USER NAME	DESIGNED	REVISED	STATE OF ILLINOIS DEPARTMENT OF TRANSPORTATION	FAP 347 (ILL 38)		F.A.P. RTE.	SECTION	COUNTY	TOTAL SHEETS	SHEET NO.
02:\pe_xork\pedit\lourashige\08434121-D13	lourashige	DRAWN	REVISED		I-294 TO HARRISON ST.		347	2015-037RS	COOK	15	2
		CHECKED	REVISED		INDEX OF SHEETS, STATE STANDARDS & GENERAL NOTES						
		DATE	REVISED		SCALE: NONE		SHEET NO. 1 OF 1	SHEETS	STA.	TO STA.	CONTRACT NO. 62A96
										ILLINOIS FED. AID PROJECT	

SUMMARY OF QUANTITIES			URBAN 100% STATE TOTAL QUANTITIES						CONSTRUCTION TYPE CODE					
CODE NO	ITEM	UNIT	0005 ROADWAY											
40600275	BITUMINOUS MATERIALS (PRIME COAT)	POUND	1552	1552										
40600400	MIXTURE FOR CRACKS, JOINTS, AND FLANGEWAYS	TON	2	2										
40600827	POLYMERIZED LEVELING BINDER (MACHINE METHOD), IL-4.75. N50	TON	145	145										
40600982	HOT-MIX ASPHALT SURFACE REMOVAL - BUTT JOINT	SO YD	80	80										
40603595	POLYMERIZED HOT-MIX ASPHALT SURFACE COURSE, MIX "F", N90	TON	329	329										
44000159	HOT-MIX ASPHALT SURFACE REMOVAL, 2 1/2"	SO YD	3348	3348										
44201777	CLASS D PATCHES, TYPE II, 11 INCH	SO YD	30	30										
44201781	CLASS D PATCHES, TYPE III, 11 INCH	SO YD	40	40										
44201783	CLASS D PATCHES, TYPE IV, 11 INCH	SO YD	50	50										
67100100	MOBILIZATION	LSUM	1	1										
70100320	TRAFFIC CONTROL AND PROTECTION, STANDARD 701422	LSUM	1	1										
70102630	TRAFFIC CONTROL AND PROTECTION, STANDARD 701601	LSUM	1	1										

SUMMARY OF QUANTITIES			URBAN 100% STATE TOTAL QUANTITIES						CONSTRUCTION TYPE CODE					
CODE NO	ITEM	UNIT	0005 ROADWAY											
70300100	SHORT TERM PAVEMENT MARKING	FOOT	766	766										
70300210	TEMPORARY PAVEMENT MARKING LETTERS AND SYMBOLS	SO FT	52	52										
70300220	TEMPORARY PAVEMENT MARKING - LINE 4"	FOOT	997	997										
70300240	TEMPORARY PAVEMENT MARKING - LINE 6"	FOOT	120	120										
70300250	TEMPORARY PAVEMENT MARKING - LINE 8"	FOOT	320	320										
70300260	TEMPORARY PAVEMENT MARKING - LINE 12"	FOOT	50	50										
70300280	TEMPORARY PAVEMENT MARKING - LINE 24"	FOOT	40	40										
70301000	WORK ZONE PAVEMENT MARKING REMOVAL	SO FT	256	256										
78000100	THERMOPLASTIC PAVEMENT MARKING - LETTERS AND SYMBOLS	SO FT	52	52										
78000200	THERMOPLASTIC PAVEMENT MARKING - LINE 4"	FOOT	997	997										
78000400	THERMOPLASTIC PAVEMENT MARKING - LINE 6"	FOOT	120	120										
78000500	THERMOPLASTIC PAVEMENT MARKING - LINE 8"	FOOT	320	320										
78000600	THERMOPLASTIC PAVEMENT MARKING - LINE 12"	FOOT	50	50										

STATE OF ILLINOIS
DEPARTMENT OF TRANSPORTATION

SUMMARY OF QUANTITIES

DESIGNED -
DRAWN -
CHECKED -
DATE -

REVISIONS
REVISIONS
REVISIONS
REVISIONS

SCALE: SHEET NO. OF SHEETS STA. TO STA.

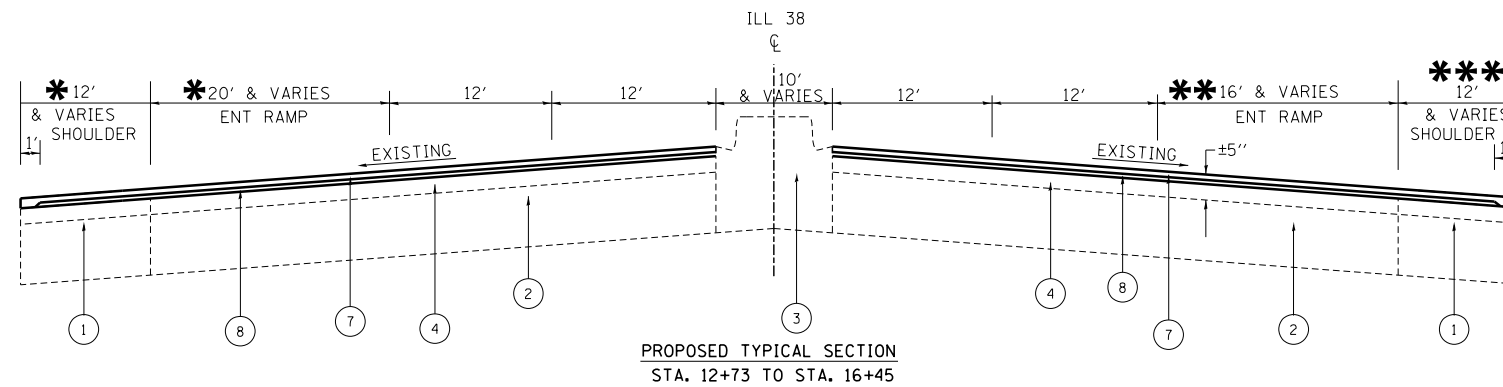
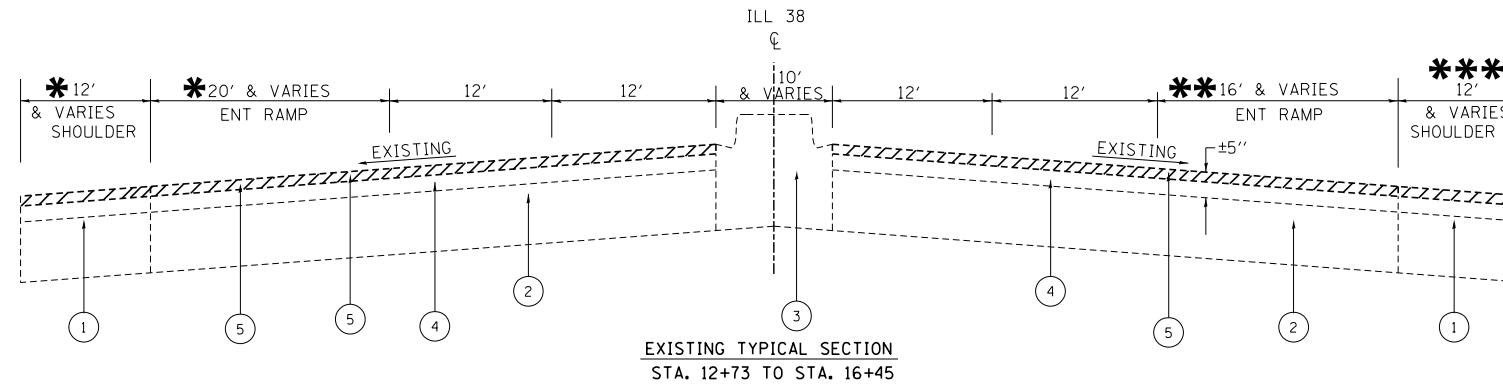
F.A. RTE. SECTION COUNTY TOTAL SHEETS SHEET NO. COOK 15 3 CONTRACT NO. 62A96 ILLINOIS FED. AID PROJECT

12

25

URBAN
100%
STATE

SUMMARY OF QUANTITIES				CONSTRUCTION TYPE CODE						SUMMARY OF QUANTITIES				CONSTRUCTION TYPE CODE					
CODE NO	ITEM	UNIT	TOTAL QUANTITIES	0005 ROADWAY						CODE NO	ITEM	UNIT	TOTAL QUANTITIES	0005 ROADWAY					
*78000650	THERMOPLASTIC PAVEMENT MARKING - LINE 24"	FOOT	40	40															
*78100100	RAISED REFLECTIVE PAVEMENT MARKER	EACH	176	176															
78300200	RAISED REFLECTIVE PAVEMENT MARKER REMOVAL	EACH	106	106															
X5538000	STORM SEWERS TO BE CLEANED 18"	FOOT	200	200															
X6030310	FRAMES AND LIDS TO BE ADJUSTED (SPECIAL)	EACH	4	4															
Z0018500	DRAINAGE STRUCTURES TO BE CLEANED	EACH	2	2															
Z0030850	TEMPORARY INFORMATION SIGNING	50 FT	51.4	51.4															
										* SPECIALTY ITEMS									



HOT-MIX ASPHALT MIXTURE REQUIREMENTS		QUALITY MANAGEMENT PROGRAM (QMP)
MIXTURE TYPE	AIR VOIDS(%) AT Ndes	
PAVEMENT RESURFACING		
POLY. HOT-MIX ASPHALT SURFACE COURSE, MIX "F", N90 (IL-9.5MM), 1 3/4"	4% AT 90 GYR.	QC/QA
POLY. LEVELING BINDER, IL-4.75, N50, 3/4" (MM)	3.5% AT 50 GYR.	QC/QA
SHOULDER		
POLY. HOT-MIX ASPHALT SURFACE COURSE, MIX "F", N90 (IL-9.5MM), 1 3/4"	4% AT 90 GYR.	QC/QA
POLY. LEVELING BINDER, IL-4.75, N50, 3/4" (MM)	3.5% AT 50 GYR.	QC/QA
PATCHING		
CLASS D PATCHES (HMA BINDER IL-19 MM)	4% AT 70 GYR.	QC/QA
HOT-MIX ASPHALT REPLACEMENT OVER PATCHES (HMA BINDER IL-19 MM)	4% AT 70 GYR.	QC/QA
QMP DESIGNATION: QUALITY CONTROL/QUALITY ASSURANCE (QC/QA); QUALITY FOR PERFORMANCE (QCP); PAY FOR PERFORMANCE (PFP)		

LEGEND

- ① EXISTING HMA SHOULDER
- ② EXISTING P.C.C. BASE COURSE, 9"
- ③ EXISTING PCC MEDIAN (STA. 11+73 TO STA 14+80)
- ④ EXISTING HOT-MIX ASPHALT SURFACE COURSE, 2 1/2" (AFTER MILLED)
- ⑤ PROPOSED HOT-MIX ASPHALT SURFACE REMOVAL, 2 1/2"
- ⑥ PROPOSED POLYMERIZED HMA SURFACE COURSE, MIX "F", N90, 1 3/4"
- ⑦ PROPOSED POLYMERIZED LEVELING BINDER (MM), IL-4.75, N50, 3/4"

NOTE: THE UNIT WEIGHT USED TO CALCULATE ALL HOT-MIX ASPHALT SURFACE MIXTURE QUANTITIES IS 112 LBS/SQ YD/IN.

THE "AC TYPE" FOR POLYMERIZED HMA MIXES SHALL BE "SBS/SBR PG 76-22" AND FOR NON-POLYMERIZED HMA THE "AC TYPE" SHALL BE "PG 64-22" UNLESS MODIFIED BY DISTRICT ONE SPECIAL PROVISIONS.

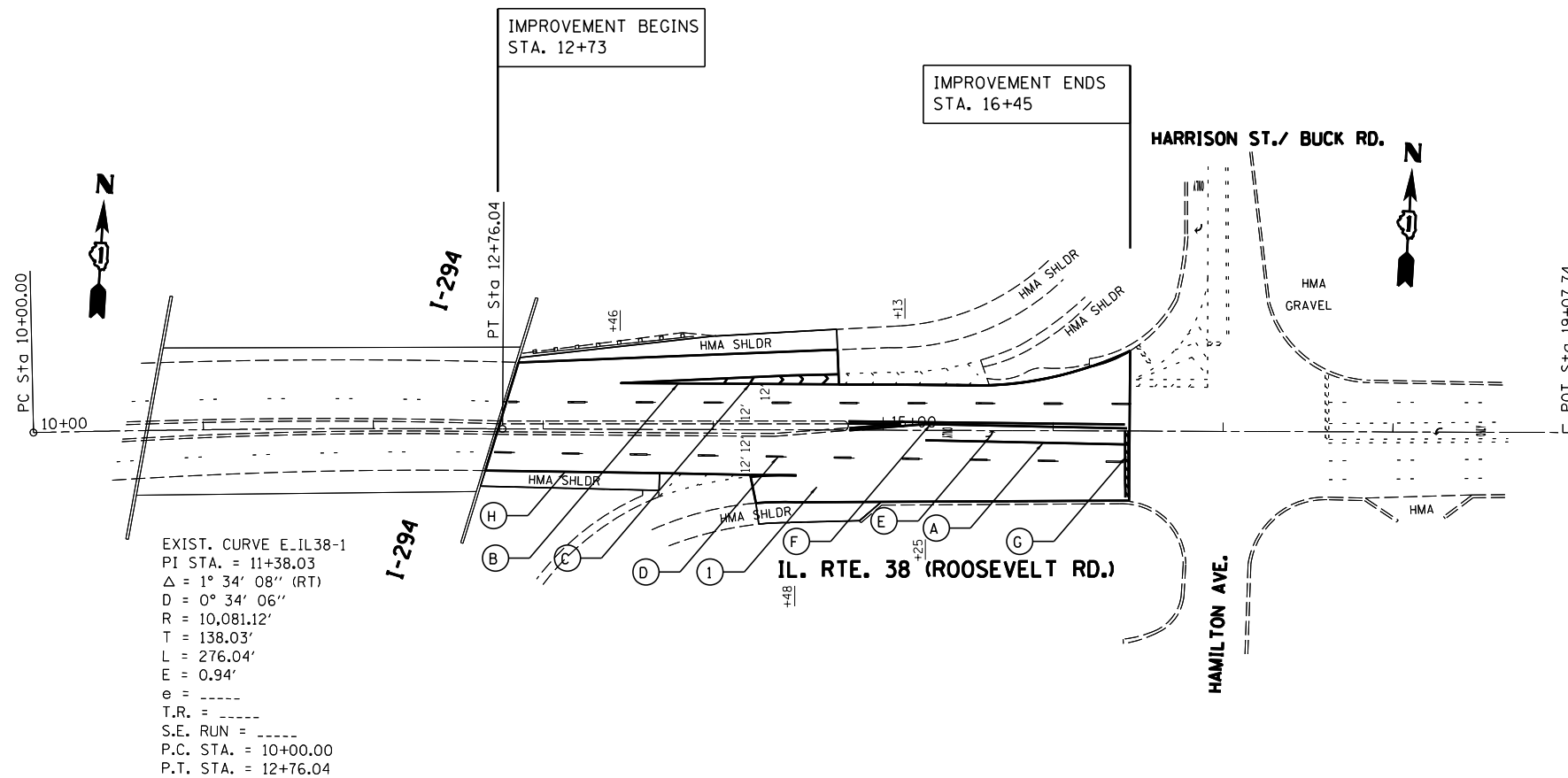
FOR USE OF RECYCLED MATERIALS SEE SPECIAL PROVISIONS.

QUALITY MANAGEMENT PROGRAM (QMP) IDENTIFIES THE PARTICULAR QUALITY CONTROL SPECIFICATION THAT APPLIES TO THE MIXTURE.

- * STA. 12+73 TO STA. 14+74
- ** STA 14+22 TO STA. 16+45
- *** STA 12+73 TO STA. 14+98

NOTE: THE CONTRACTOR SHALL MILL FIRST BEFORE PATCHING

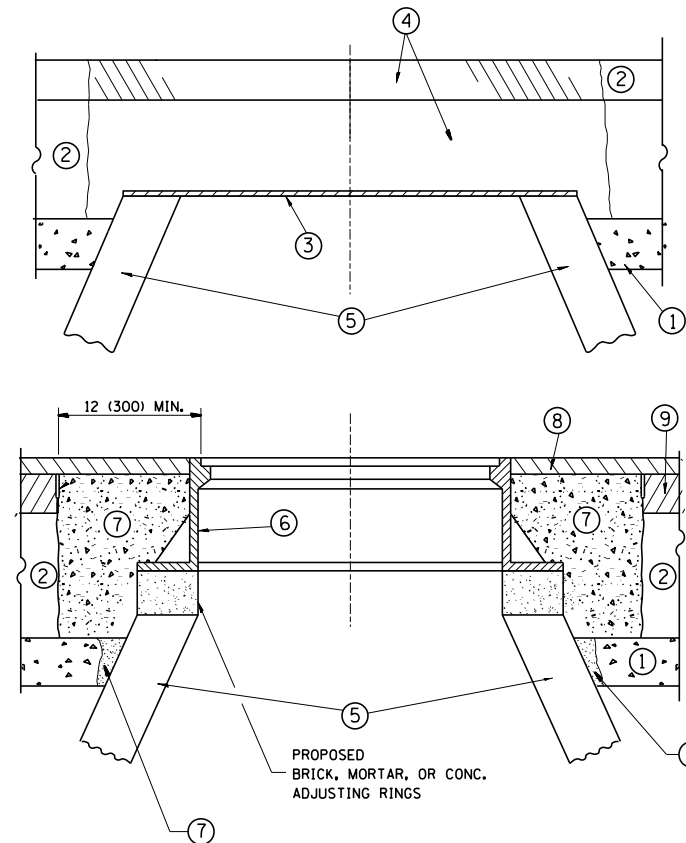
DESIGNED -	REVISED -	STATE OF ILLINOIS DEPARTMENT OF TRANSPORTATION	TYPICAL SECTIONS ILL 38 (I-294 TO HARRISON ST.)		F.A.P. RTE.	SECTION	COUNTY	TOTAL SHEETS	SHEET NO.		
DRAWN -	REVISED -		SCALE: NONE	SHEET NO. 1 OF 2 SHEETS	STA.	TO STA.	347	2015-037RS	COOK	15	5
CHECKED -	REVISED -		CONTRACT NO. 62A96								
DATE -	REVISED -		ILLINOIS FED. AID PROJECT								



- (A) PROP. THERMOPLASTIC PLASTIC PAVEMENT TURN LANE MARKING-LINE 6", WHITE (TYP.)
- (B) PROP. THERMOPLASTIC PAVEMENT MARKING-LINE 8", WHITE (TYP.)
- (C) PROP. THERMOPLASTIC PAVEMENT MARKING-LINE 12", YELLOW (TYP.)
- (D) PROP. THERMOPLASTIC PAVEMENT MARKING-LINE 4", 10' DASH-30' SKIP, YELLOW (TYP.)
- (E) PROP. THERMOPLASTIC PAVEMENT MARKING LETTERS AND SYMBOLS, WHITE (TYP.)
- (F) PROP. THERMOPLASTIC PAVEMENT MARKING DOUBLE LINES 4" @ 11" C-C, YELLOW (TYP.)
- (G) PROP. THERMOPLASTIC PAVEMENT STOP MARKING-LINE 24", WHITE (TYP.)
- (H) PROP. THERMOPLASTIC PAVEMENT MARKING-LINE 4", WHITE (TYP.)

- (I) PROP. HOT-MIX ASPHALT SURFACE REMOVAL, 2 1/2"
 PROP. POLYMERIZED HMA SURFACE COURSE, MIX "F", N90, 1 3/4"
 PROP. POLYMERIZED LEVELING BINDER (MM), IL-4.75, N50, 3/4"

FILE NAME =	USER NAME = qureshiya	DESIGNED -	REVISED -	STATE OF ILLINOIS DEPARTMENT OF TRANSPORTATION	EXISTING AND PROPOSED ROADWAY PLAN ILL 38 (I-294 TO HARRISON ST.)				F.A.P. RTE.	SECTION	COUNTY	TOTAL SHEETS	SHEET NO.
Default	815-sht-plan.dgn	DRAWN -	REVISED -		347	2015-037RS	COOK	15	6				
	PLOT SCALE = 100.0000' / in.	CHECKED -	REVISED -		CONTRACT NO. 62A96				ILLINOIS FED. AID PROJECT				
	PLOT DATE = 5/22/2015	DATE -	REVISED -		SCALE: 1" = 50'	SHEET	OF	SHEETS	STA.	TO	STA.		



CONSTRUCTION PROCEDURES

STAGE 1 (BEFORE PAVEMENT MILLING)

- A) REMOVE A MINIMUM OF 12 (300) OF THE PAVEMENT FROM AROUND THE STRUCTURE.
- B) REMOVE THE EXISTING FRAME AND LID FROM THE STRUCTURE.
- C) COVER THE STRUCTURE OPENING WITH A 36 (900) DIAMETER METAL PLATE.
- D) BACKFILL WITH CRUSHED STONE AND A MINIMUM 1/2 (40) THICK HMA SURFACE MIX APPROVED BY THE ENGINEER.

STAGE 2 (AFTER PAVEMENT MILLING)

- A) REMOVE THE HMA SURFACE MIX AND CRUSHED STONE.
- B) INSTALL THE FRAME AND LID; ADJUST THE FRAME TO ITS FINAL SURFACE ELEVATION.
- C) THE SURROUNDING SPACE SHALL BE FILLED WITH CLASS PP-1* CONCRETE TO THE ELEVATION OF THE SURFACE OF THE EXISTING BASE COURSE OR THE BINDER COURSE.

* UNLESS OTHERWISE SPECIFIED IN THE PLANS.

THE PROCEDURE EXPLAINED ABOVE SHALL CONFORM TO THE APPLICABLE PORTIONS OF SECTIONS 353, 406, 602, AND 603 OF THE STANDARD SPECIFICATIONS EXCEPT THAT "THE CONTRACTOR SHALL ADJUST THE STRUCTURES TO THE FINISHED PAVEMENT ELEVATION NO MORE THAN 5 CALENDAR DAYS PRIOR TO PLACEMENT OF THE FINAL LIFT OF SURFACE UNLESS APPROVED BY THE ENGINEER."

LEGEND

- ① SUB-BASE GRANULAR MATERIAL
- ② EXISTING PAVEMENT
- ③ 36 (900) DIAMETER METAL PLATE
- ④ PROPOSED CRUSHED STONE AND HMA SURFACE MIX
- ⑤ EXISTING STRUCTURE
- ⑥ FRAME AND LID (SEE NOTES)
- ⑦ CLASS PP-1* CONCRETE
- ⑧ PROPOSED HMA SURFACE COURSE
- ⑨ PROPOSED HMA BINDER COURSE

LOCATION OF STRUCTURES:

THE CONTRACTOR WILL BE REQUIRED TO KEEP A RECORD OF THE LOCATIONS OF THE BURIED STRUCTURES ACCORDING TO THE STATION AND DISTANCE LEFT OR RIGHT OF THE CENTERLINE OF PAVEMENT. UPON COMPLETION OF THE WORK, THE CONTRACTOR WILL DELIVER THE RECORD TO THE ENGINEER.

BASIS OF PAYMENT:

REMOVING FRAMES AND LIDS ON DRAINAGE AND UTILITY STRUCTURES IN THE PAVEMENT PRIOR TO MILLING, AND ADJUSTING TO FINAL GRADE PRIOR TO PLACING THE SURFACE COURSE, WILL BE PAID FOR AT THE CONTRACT UNIT PRICE EACH FOR "FRAMES AND LIDS TO BE ADJUSTED (SPECIAL)."

THIS WORK WILL NOT BE PAID FOR WHEN DRAINAGE AND UTILITY STRUCTURES ARE SPECIFIED FOR PAYMENT AS STRUCTURE RECONSTRUCTION.

NEW FRAMES AND LIDS, WHEN SPECIFIED, WILL BE PAID FOR SEPARATELY.

NOTES:

EXISTING BROKEN FRAMES AND LIDS SHALL BE REMOVED AND DISPOSED OF BY THE CONTRACTOR AND SHALL BE REPLACED AS DIRECTED BY THE ENGINEER. REPLACEMENT FRAMES AND LIDS WILL BE PAID FOR IN ACCORDANCE WITH ARTICLE 109.04 OF THE STANDARD SPECIFICATIONS UNLESS A SEPARATE PAY ITEM HAS BEEN PROVIDED.

IF THE EXISTING LIDS ARE OPEN, THE FRAME WILL BE ADJUSTED TO THE ELEVATION OF THE MILLED PAVEMENT SURFACE PRIOR TO THE MILLING OPERATION. THE FRAME WILL NOT BE REMOVED AND COVERED BY THE METAL PLATE.

CITY OF CHICAGO CASTINGS ARE THE PROPERTY OF THE CITY AND THE CONTRACTOR SHALL NOTIFY THE CITY FOR REMOVAL AND DISPOSITION OF THE CASTINGS.

THE METAL PLATE USED TO COVER THE STRUCTURE SHALL REMAIN THE PROPERTY OF THE CONTRACTOR.

WHEN STRUCTURES ARE TO BE ADJUSTED OR RECONSTRUCTED, THE LOWERING AND RAISING OF THE FRAMES AND LIDS WILL NOT BE PAID FOR SEPARATELY BUT WILL BE INCLUDED IN THE COST OF THE CORRESPONDING PAY ITEM.

DETAILS FOR FRAMES AND LIDS ADJUSTMENT WITH MILLING

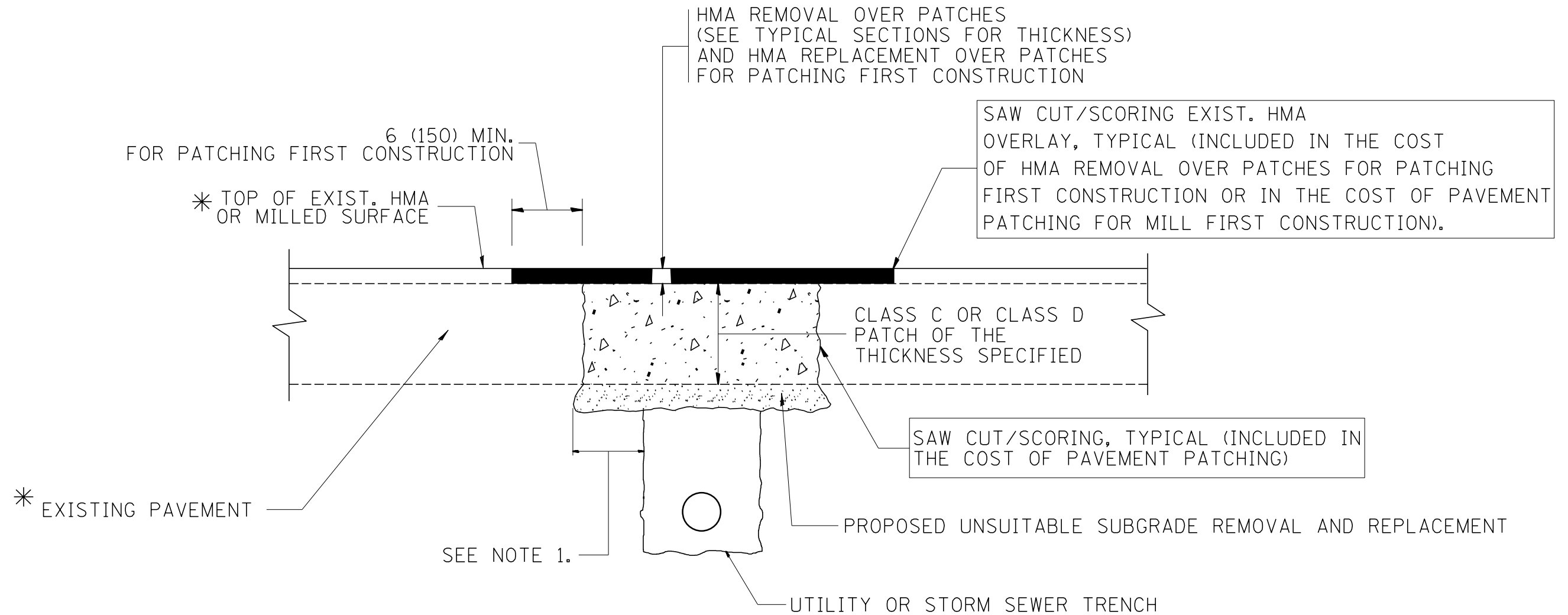
ALL DIMENSIONS ARE IN INCHES (MILLIMETERS) UNLESS OTHERWISE SHOWN

FILE NAME =	USER NAME = qureshiya	DESIGNED - R. SHAH	REVISED - R. WIEDEMAN 05-14-04
ca:\pw_work\p1dot\qureshiya\d0434121\Dis\Std.dgn		DRAWN -	REVISED - R. BORO 01-01-07
	PLOT SCALE = 100.0000' / 1in.	CHECKED -	REVISED - R. BORO 03-09-11
	PLOT DATE = 5/21/2015	DATE - 10-25-94	REVISED - R. BORO 12-06-11

**STATE OF ILLINOIS
DEPARTMENT OF TRANSPORTATION**

DETAILS FOR FRAMES AND LIDS ADJUSTMENT WITH MILLING			
SCALE: NONE	SHEET NO. 1 OF 1 SHEETS	STA.	TO STA.

F.A.P. RTE.	SECTION	COUNTY	TOTAL SHEETS	SHEET NO.
347	2015-037RS	COOK	15	7
BD600-03 (BD-8)		CONTRACT NO. 62A96		
FED. ROAD DIST. NO. 1 ILLINOIS FED. AID PROJECT				



* SEE TYPICAL SECTIONS FOR THICKNESS AND MATERIALS

NOTES:

1. THE WIDTH OF THE FULL DEPTH PATCH OVER A TRENCH SHALL BE 12 (300) WIDER ON EACH SIDE OF THE TRENCH.
2. FOR METHOD OF MEASUREMENT AND BASIS OF PAYMENT, SEE RECURRING SPECIAL PROVISION "PATCHING WITH HOT-MIX ASPHALT OVERLAY REMOVAL".

SEQUENCE OF CONSTRUCTION (PATCHING FIRST)

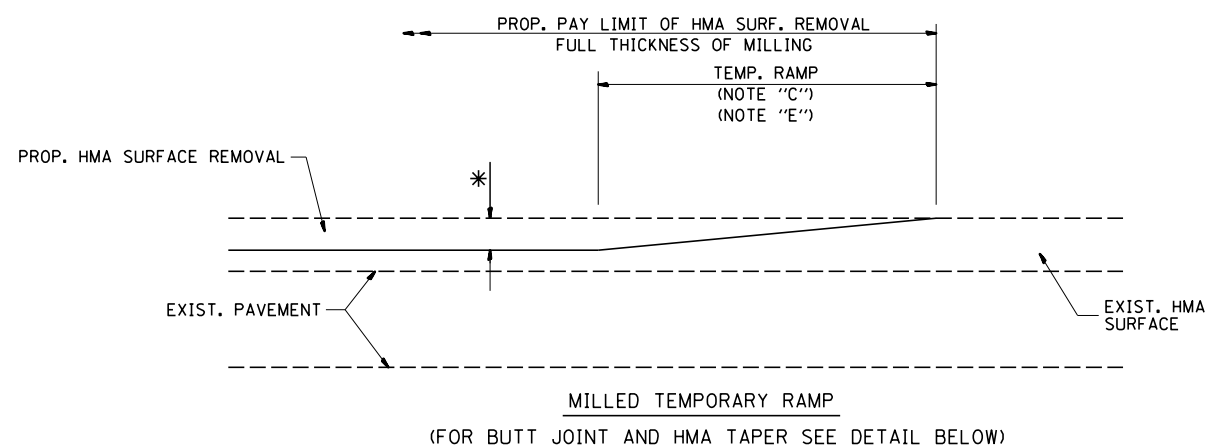
1. REMOVE THE EXISTING HMA MATERIAL OVER THE AREA TO BE PATCHED.
2. REMOVE AND REPLACE WITH CLASS C OR D PATCH.
3. REPLACE HMA MATERIAL OVER THE AREA TO BE PATCHED.

SEQUENCE OF CONSTRUCTION (MILLING FIRST)

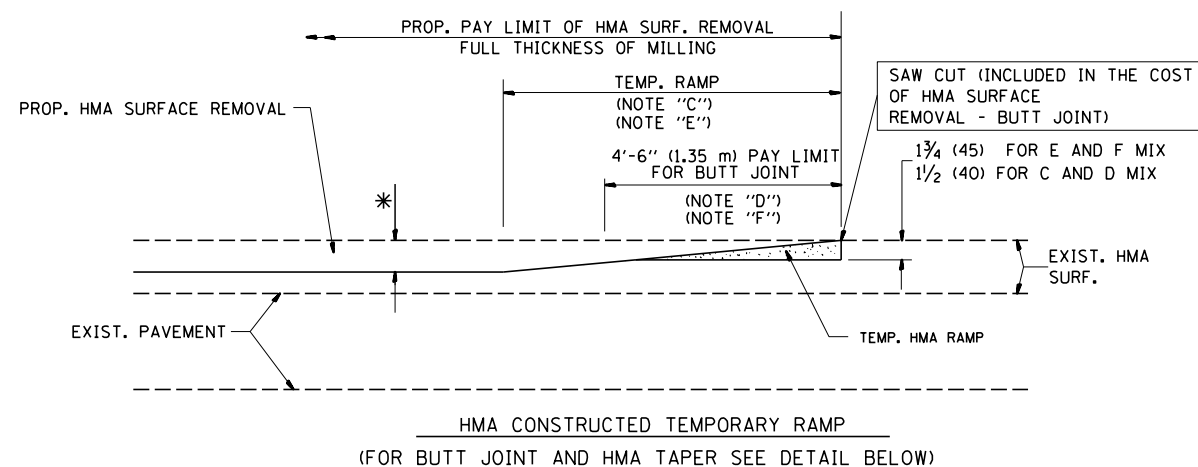
1. MILL HMA FIRST IF THERE IS AT LEAST 4 1/2 INCHES OR MORE OF HMA MATERIAL ON TOP OF THE EXISTING PAVEMENT OR IF THE PAVEMENT IS FULL DEPTH HMA. A MINIMUM OF 2 INCHES OF HMA MATERIAL SHALL BE IN PLACE AFTER MILLING.
2. REMOVE AND REPLACE WITH FULL DEPTH CLASS D PATCHES TO TOP OF MILLED SURFACE.

ALL DIMENSIONS ARE IN INCHES (MILLIMETERS) UNLESS OTHERWISE SHOWN.

FILE NAME =	USER NAME = qureshiye	DESIGNED - R. SHAH	REVISED - A. ABBAS 04-27-98	STATE OF ILLINOIS DEPARTMENT OF TRANSPORTATION	PAVEMENT PATCHING FOR HMA SURFACED PAVEMENT			F.A.P. RTE.	SECTION	COUNTY	TOTAL SHEETS	SHEET NO.
ca:\pw\work\p\id\dot\qureshiye\0434121\Dis\Std.dgn		DRAWN -	REVISED - R. BORO 01-01-07		347	2015-037RS	COOK	15	8			
	PLOT SCALE = 100.0000' / 1in.	CHECKED -	REVISED - R. BORO 09-04-07		BD400-04 (BD-22)			CONTRACT NO. 62A96				
	PLOT DATE = 5/21/2015	DATE - 10-25-94	REVISED - K. ENG 10-27-08		SCALE: NONE	SHEET NO. 1 OF 1 SHEETS	STA. TO STA.	FED. ROAD DIST. NO. 1 ILLINOIS FED. AID PROJECT				

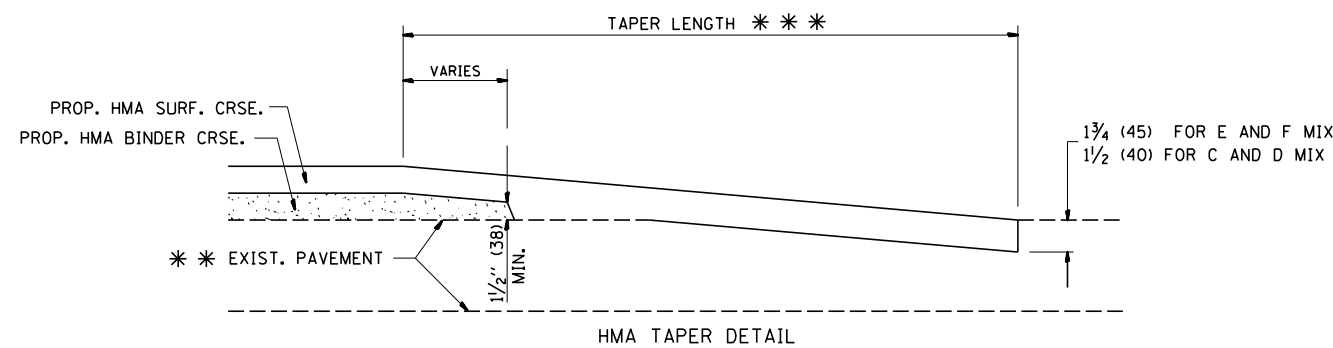
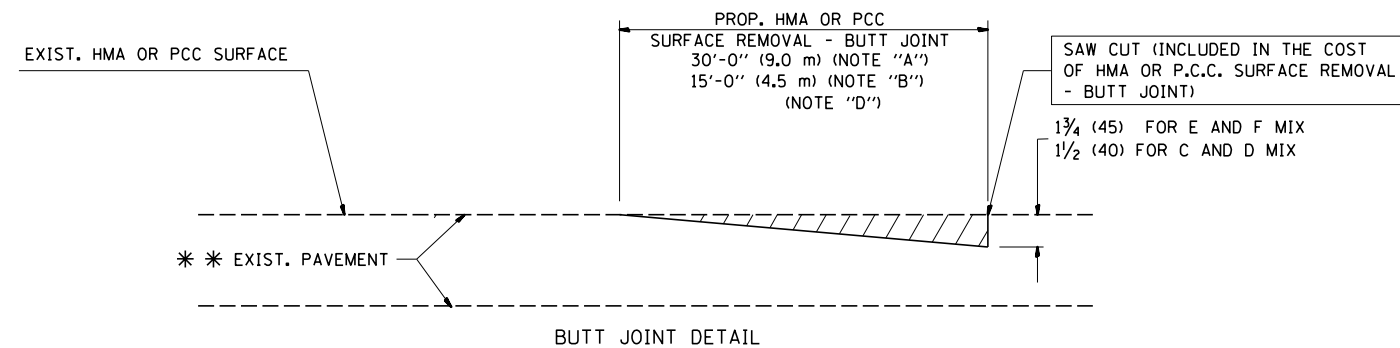


OPTION 1



OPTION 2

TYPICAL TEMPORARY RAMP



TYPICAL BUTT JOINT AND HMA TAPER FOR RESURFACING ONLY

*** PC CONCRETE, HMA OR HMA RESURFACED PAVEMENT.

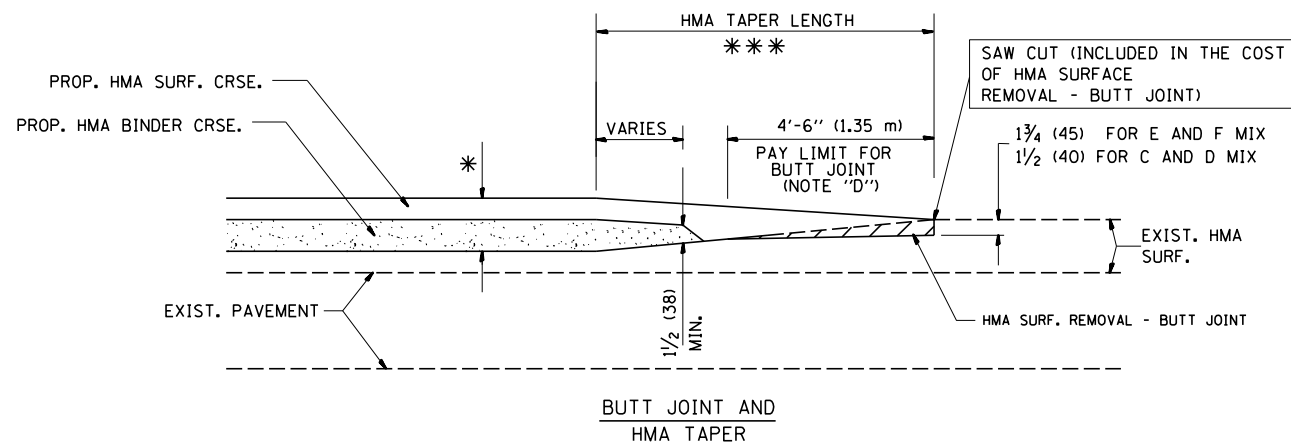
NOTES

- A: MAINLINE ROADWAYS AND MAJOR SIDE ROADS.
 - B: MINOR SIDE ROADS.
 - C: THE TEMP. RAMP SHALL BE CONSTRUCTED IMMEDIATELY UPON REMOVAL OF THE EXISTING HMA SURFACE.
 - D: THE BUTT JOINT SHALL BE CONSTRUCTED IMMEDIATELY PRIOR TO PLACING THE PROPOSED HMA COURSES.
 - E: TAPER THE TEMP. RAMP AT A RATE OF 3'-0" (900 mm) PER 1 INCH (25 mm) OF MILLING THICKNESS.
 - F: INSTALLATION AND REMOVAL OF THE 4'-6" (1.35 m) TEMP. RAMP IS INCLUDED IN COST OF HMA SURFACE REMOVAL - BUTT JOINT
 - G: SEE ARTICLE 406.08 AND 406.14 OF THE STANDARD SPECIFICATIONS FOR "HMA AND/OR PCC SURFACE REMOVAL, BUTT JOINT".
- * SEE TYPICAL SECTIONS FOR MILLING THICKNESS.
- *** 20'-0" (6.1 m) PER 1 (25) RESURFACING (NOTE "A")
10'-0" (3.0 m) PER 1 (25) RESURFACING (NOTE "B")

BASIS OF PAYMENT:

THE BUTT JOINT WILL BE PAID FOR AT THE CONTRACT UNIT PRICE PER SQUARE YARD (SQUARE METER) FOR "HOT-MIX ASPHALT SURFACE REMOVAL - BUTT JOINT" OR FOR "PORTLAND CEMENT CONCRETE SURFACE REMOVAL - BUTT JOINT".

ALL DIMENSIONS ARE IN INCHES (MILLIMETERS) UNLESS OTHERWISE SHOWN.



TYPICAL BUTT JOINT AND HMA TAPER FOR MILLING AND RESURFACING

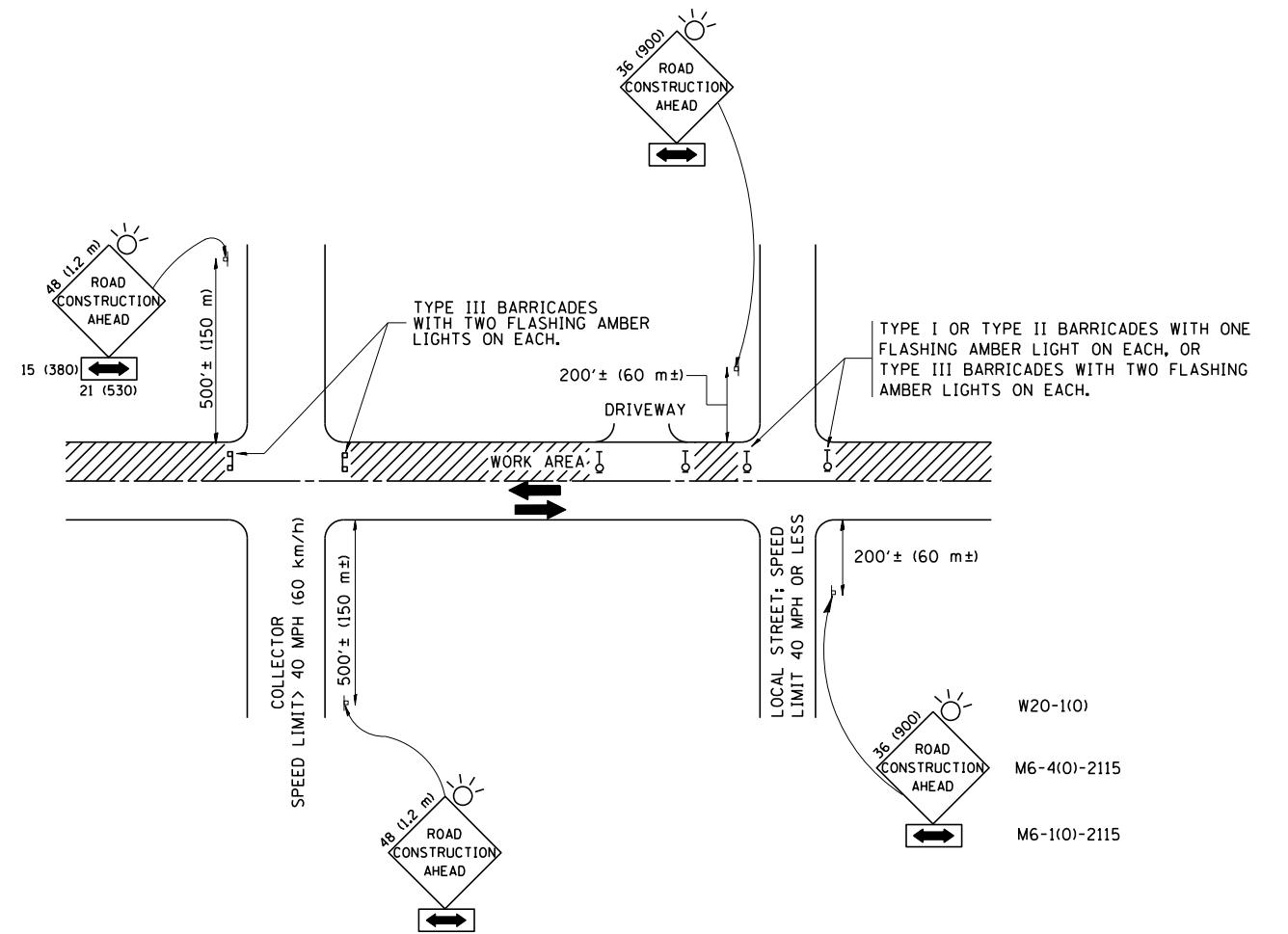
FILE NAME =	USER NAME = qureshiye	DESIGNED - M. DE YONG	REVISED - R. SHAH 10-25-94
ca:\pw\work\p\idot\qureshiye\d0434121\Dis	Std.dgn	DRAWN -	REVISED - A. ABBAS 03-21-97
	PLOT SCALE = 100.0000' / 1in.	CHECKED -	REVISED - M. GOMEZ 04-06-01
	PLOT DATE = 5/21/2015	DATE - 06-13-90	REVISED - R. BORO 01-01-07

**STATE OF ILLINOIS
DEPARTMENT OF TRANSPORTATION**

**BUTT JOINT AND
HMA TAPER DETAILS**

SCALE: NONE SHEET NO. 1 OF 1 SHEETS STA. TO STA.

F.A.P. RTE.	SECTION	COUNTY	TOTAL SHEETS	SHEET NO.
347	2015-037RS	COOK	15	9
BD400-05 BD32		CONTRACT NO. 62A96		
FED. ROAD DIST. NO. 1 ILLINOIS FED. AID PROJECT				



TRAFFIC CONTROL AND PROTECTION FOR SIDE ROADS, INTERSECTIONS, AND DRIVEWAYS

NOTES:

A. FOR NO LANE RESTRICTION ON THE SIDE ROAD OR DRIVEWAYS

1. SIDE ROAD WITH A SPEED LIMIT OF 40 MPH (60 km/h) OR LESS AS SHOWN ON THE DRAWING AND AS DIRECTED BY THE ENGINEER:

a) ONE ROAD CONSTRUCTION AHEAD SIGN 36 x 36 (900x900) WITH A FLASHER AND FLAG MOUNTED ON IT APPROXIMATELY 200' (60 m) IN ADVANCE OF THE MAIN ROUTE.

b) THE CLOSED PORTION OF THE MAIN ROUTE SHALL BE PROTECTED BY BLOCKING WITH TYPE I, TYPE II OR TYPE III BARRICADES, 1/3 OF THE CROSS SECTION OF THE CLOSED PORTION.

2. SIDE ROAD WITH A SPEED LIMIT GREATER THAN 40 MPH (60 km/h) AS SHOWN ON THE DRAWING AND AS DIRECTED BY THE ENGINEER:

a) ONE ROAD CONSTRUCTION AHEAD SIGN 48 x 48 (1.2 m x 1.2 m) WITH A FLASHER MOUNTED ON IT APPROXIMATELY 500' (150 m) IN ADVANCE OF THE MAIN ROUTE.

b) THE CLOSED PORTION OF THE MAIN ROUTE SHALL BE PROTECTED BY BLOCKING WITH TYPE III BARRICADES, 1/2 OF THE CROSS SECTION OF THE CLOSED PORTION.

3. WHEN THE SIDE ROAD LIES BETWEEN THE BEGINNING OF THE MAINLINE SIGNING AND THE WORK ZONE, A SINGLE HEADED ARROW (M6-1) SHALL BE USED IN LIEU OF THE DOUBLE HEADED ARROW (M6-4).

B. FOR A LANE CLOSURE ON A SIDE ROAD OR DRIVEWAY:

USE APPLICABLE PORTIONS OF THE TYPICAL APPLICATION OF TRAFFIC CONTROL DEVICES (STD. 701501, STD. 701606 OR THE APPROPRIATE STANDARD). THE SPACING OF SIGNS AND BARRICADES SHALL BE ADJUSTED FOR FIELD CONDITIONS AS DIRECTED BY THE ENGINEER. THE DIRECTIONAL ARROW SHALL BE COVERED OR REMOVED WHEN NO LONGER CONSISTENT WITH THE SIDE ROAD LANE CLOSURE.

C. ADVANCE WARNING SIGNS ARE TO BE OMITTED ON DRIVEWAY UNLESS OTHERWISE NOTED.

D. THE TRAFFIC CONTROL AND PROTECTION FOR SIDE ROADS, INTERSECTIONS, AND DRIVEWAYS SHALL BE INCIDENTAL TO THE COST OF SPECIFIED TRAFFIC CONTROL STANDARDS OR ITEMS.

All dimensions are in millimeters (inches) unless otherwise shown.

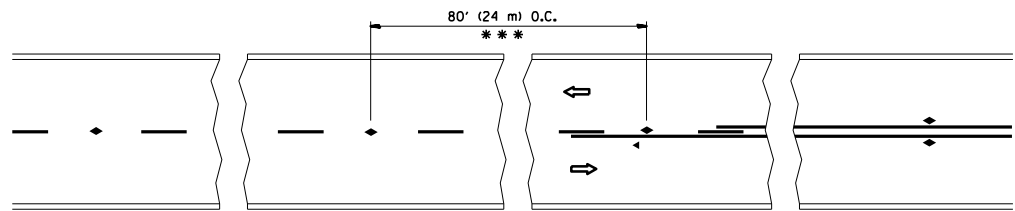
FILE NAME =	USER NAME = qureshiya	DESIGNED - LHA	REVISED - J. OBERLE 10-18-95
ca:\pwork\pwork\qureshiya\d0434121\Dis	Std.dgn	DRAWN -	REVISED - A. HOUSEH 03-06-96
	PLOT SCALE = 100.0000' / in.	CHECKED -	REVISED - A. HOUSEH 10-15-96
	PLOT DATE = 5/21/2015	DATE - 06-89	REVISED - T. RAMMACHER 01-06-00

STATE OF ILLINOIS
DEPARTMENT OF TRANSPORTATION

TRAFFIC CONTROL AND PROTECTION FOR
SIDE ROADS, INTERSECTIONS, AND DRIVEWAYS

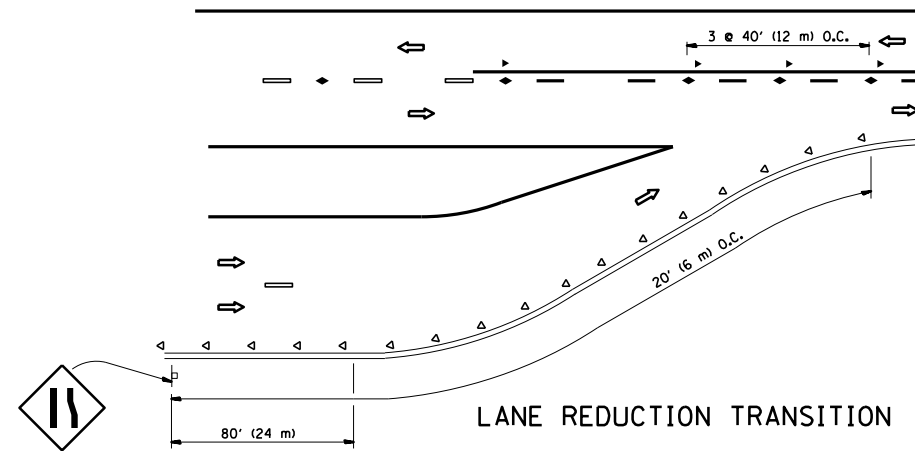
SCALE: NONE SHEET NO. 1 OF 1 SHEETS STA. TO STA.

F.A.P. RTE.	SECTION	COUNTY	TOTAL SHEETS	SHEET NO.
347	2015-037RS	COOK	15	10
TC-10			CONTRACT NO. 62A96	
FED. ROAD DIST. NO. 1 ILLINOIS FED. AID PROJECT				

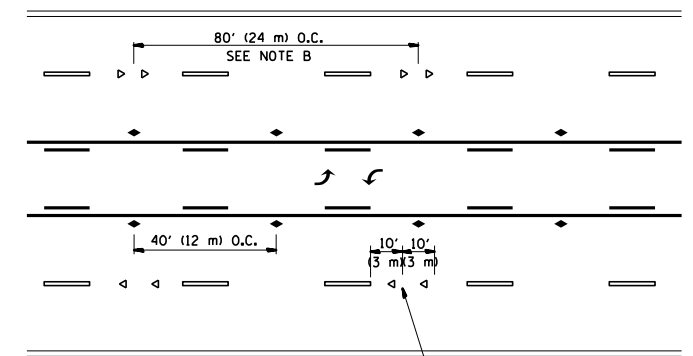


*** REDUCE TO 40' (12 m) O.C. ON CURVES WITH POSTED OR ADVISORY SPEED 45 M.P.H. (70 km/h) OR LESS.

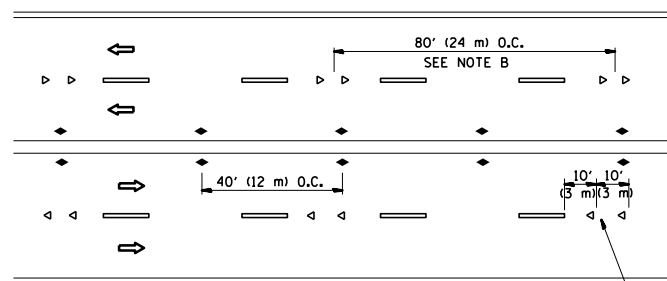
TWO-LANE/TWO-WAY



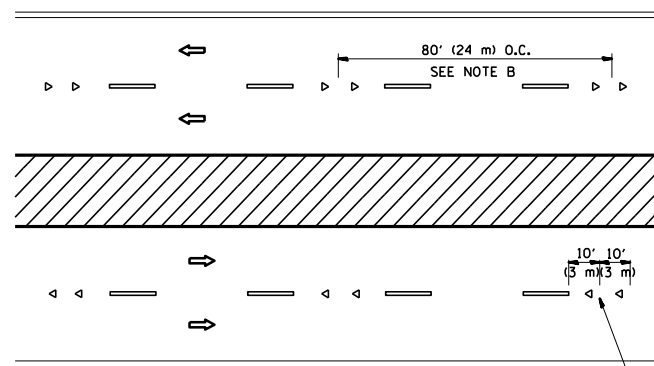
LANE REDUCTION TRANSITION



TWO-WAY LEFT TURN



MULTI-LANE/UNDIVIDED



MULTI-LANE/DIVIDED

GENERAL NOTES

1. MARKERS USED WITH DASHED LINES SHALL BE CENTERED IN THE GAP BETWEEN SEGMENTS.
2. MARKERS USED ADJACENT TO SOLID LINES SHALL BE OFFSET 2 TO 3 (50 TO 75) TOWARD TRAFFIC AS SHOWN.
3. MARKERS THROUGH TANGENTS LESS THAN 500' (150 m) IN LENGTH BETWEEN CURVES SHALL BE INSTALLED AT THE LESSER OF THE TWO CURVE SPACINGS.

SYMBOLS

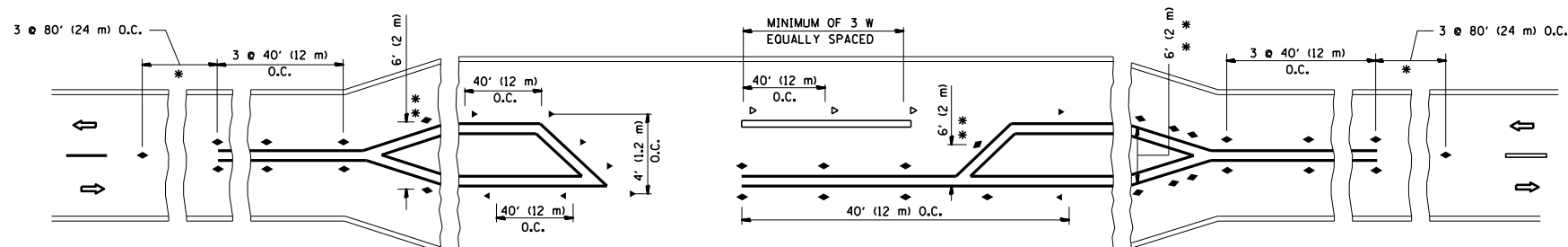
- YELLOW STRIPE
- WHITE STRIPE
- ◀ ONE-WAY AMBER MARKER
- ◁ ONE-WAY CRYSTAL MARKER (W/O)
- ◆ TWO-WAY AMBER MARKER

LANE MARKER NOTES

- A. USE DOUBLE LANE LINE MARKERS SPACED AS SHOWN.
- B. REDUCE TO 40' (12 m) O.C. ON CURVES WHERE ADVISORY SPEEDS ARE 10 M.P.H (20 km/h) LOWER THAN POSTED SPEEDS.

DESIGN NOTES

1. DOUBLE LANE LINE MARKERS SHALL BE USED UNLESS SPECIFIED OTHERWISE.
2. EXCEPT AS SHOWN ON THE LANE REDUCTION TRANSITION AND FREEWAY EXIT RAMP DETAIL, MARKERS ARE NOT TO BE SPECIFIED ON RIGHT EDGE LINES.
3. THE EXACT MARKER LIMITS, SPACING, AND COLOR SHALL BE INCLUDED IN THE PLANS WHEN STANDARD SPECIFICATIONS ARE NOT BEING USED.
4. MARKERS SHOULD NOT BE USED ALONGSIDE CURBS EXCEPT FOR EXTREMELY SHORT SECTIONS OF CURBS WHERE NOT MORE THAN TWO MARKERS WOULD BE INVOLVED.



LEFT TURN

* SEE TWO-LANE/TWO-WAY WHERE MARKERS CONTINUE
 ** WHERE THE MEDIAN WIDTH IS 6' (2 m) OR LESS USE TWO-WAY MARKERS.

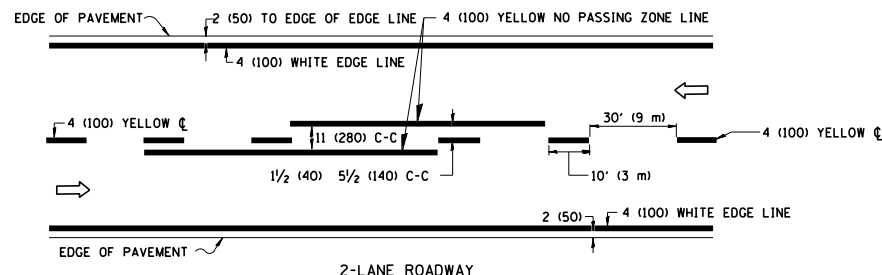
All dimensions are in inches (millimeters) unless otherwise shown.

FILE NAME =	USER NAME = qureshiya	DESIGNED -	REVISED - T. RAMMACHER 09-19-94
ca:\pwork\pwork\dot\qureshiya\0434121\Dis\Std.dgn		DRAWN -	REVISED - T. RAMMACHER 03-12-99
	PLOT SCALE = 100.0000' / 1"	CHECKED -	REVISED - T. RAMMACHER 01-06-00
	PLOT DATE = 5/21/2015	DATE -	REVISED - C. JUCIUS 09-09-09

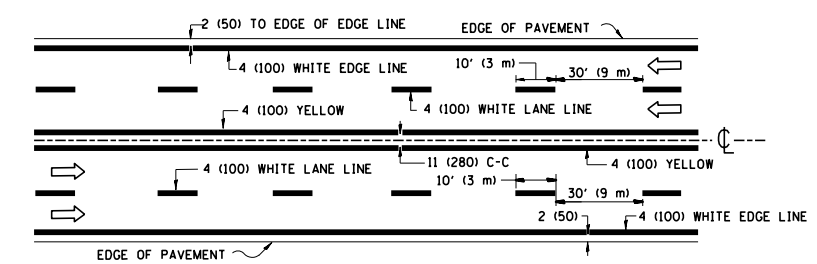
STATE OF ILLINOIS
 DEPARTMENT OF TRANSPORTATION

TYPICAL APPLICATIONS			
RAISED REFLECTIVE PAVEMENT MARKERS (SNOW-PLOW RESISTANT)			
SCALE: NONE	SHEET NO. 1 OF 1 SHEETS	STA.	TO STA.

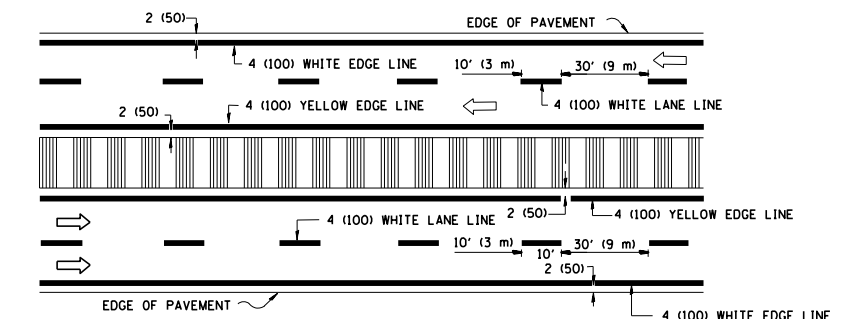
F.A.P. RTE.	SECTION	COUNTY	TOTAL SHEETS	SHEET NO.
347	2015-037RS	COOK	15	11
TC-11		CONTRACT NO. 62A96		
FED. ROAD DIST. NO. 1 ILLINOIS FED. AID PROJECT				



2-LANE ROADWAY



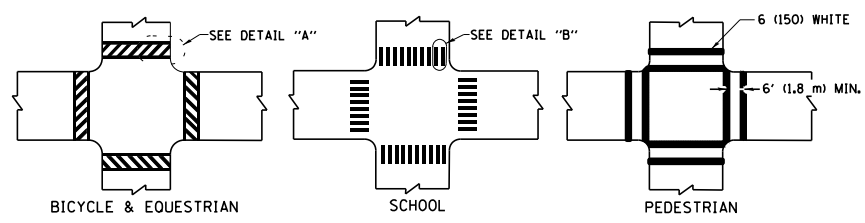
MULTI-LANE UNDIVIDED



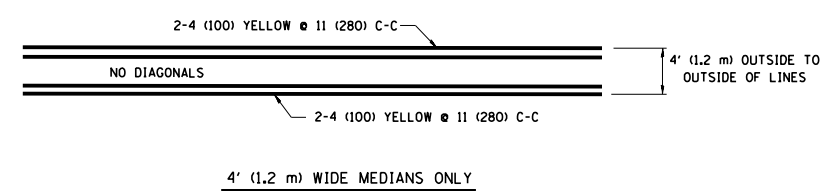
MULTI-LANE DIVIDED WITH MOUNTABLE MEDIAN

NOTE: MEDIANS WITH BARRIER CURB DO NOT REQUIRE AN EDGE LINE

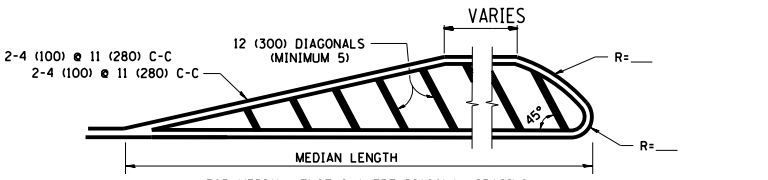
TYPICAL LANE AND EDGE LINE MARKING



TYPICAL CROSSWALK MARKING



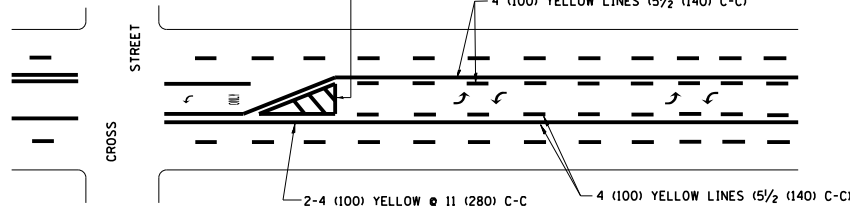
4' (1.2 m) WIDE MEDIANS ONLY



FOR MEDIAN LENGTHS WHERE DIAGONAL SPACING CANNOT BE ATTAINED, USE 5 (FIVE) EQUALLY SPACED DIAGONAL LINES.

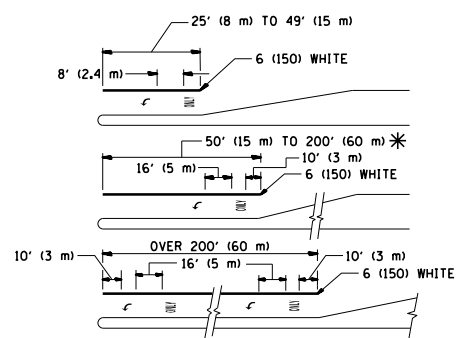
DIAGONAL LINE SPACING: 50' (15 m) C-C (LESS THAN 30MPH (50 km/h))
75' (25 m) C-C 30MPH (50 km/h) TO 45MPH (70 km/h)
150' (45 m) C-C (MORE THAN 45MPH (70 km/h))

MEDIANS OVER 4' (1.2 m) WIDE



MEDIAN WITH TWO-WAY LEFT TURN LANE

TYPICAL PAINTED MEDIAN MARKING

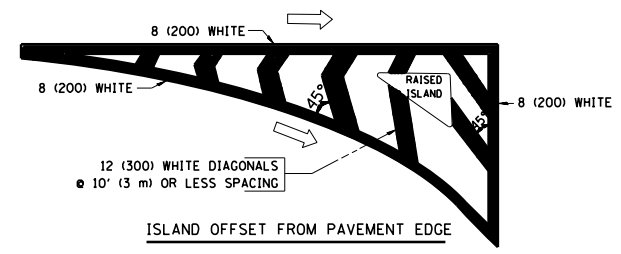


FULL SIZE LETTERS 8' (2.4 m) AND ARROWS SHALL BE USED.
AREA = 15.6 SQ. FT. (1.5 m²) ONLY AREA = 20.8 SQ. FT. (1.9 m²)

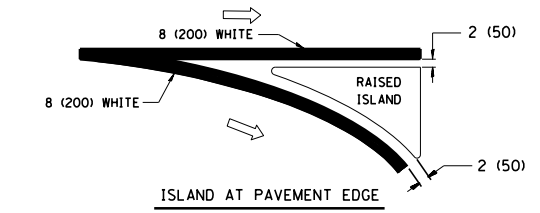
* TURN LANES IN EXCESS OF 400' (120 m) IN LENGTH MAY HAVE AN ADDITIONAL SET OF ARROW - "ONLY" INSTALLED MIDWAY BETWEEN THE OTHER TWO SETS OF ARROW - "ONLY".

TYPICAL LEFT (OR RIGHT) TURN LANE

TYPICAL TURN LANE MARKING



ISLAND OFFSET FROM PAVEMENT EDGE



ISLAND AT PAVEMENT EDGE

TYPICAL ISLAND MARKING

TYPE OF MARKING	WIDTH OF LINE	PATTERN	COLOR	SPACING / REMARKS
CENTERLINE ON 2 LANE PAVEMENT	4 (100)	SKIP-DASH	YELLOW	10' (3 m) LINE WITH 30' (9 m) SPACE
CENTERLINE ON MULTI-LANE UNDIVIDED PAVEMENT	2 @ 4 (100)	SOLID	YELLOW	11 (280) C-C
NO PASSING ZONE LINES: FOR ONE DIRECTION	4 (100)	SOLID	YELLOW	5/2 (140) C-C FROM SKIP-DASH CENTERLINE
NO PASSING ZONE LINES: FOR BOTH DIRECTIONS	2 @ 4 (100)	SOLID	YELLOW	11 (280) C-C OMIT SKIP-DASH CENTERLINE BETWEEN
LANE LINES	4 (100) 5 (125) ON FREEWAYS	SKIP-DASH SKIP-DASH	WHITE WHITE	10' (3 m) LINE WITH 30' (9 m) SPACE
DOTTED LINES (EXTENSIONS OF CENTER, LANE OR TURN LANE MARKINGS)	SAME AS LINE BEING EXTENDED	SKIP-DASH	SAME AS LINE BEING EXTENDED	2' (600) LINE WITH 6' (1.8 m) SPACE
EDGE LINES	4 (100)	SOLID	YELLOW-LEFT WHITE-RIGHT	OUTLINE MOUNTABLE MEDIANS IN YELLOW; EDGE LINES ARE NOT USED NEXT TO BARRIER CURB
TURN LANE MARKINGS	6 (150) LINE; FULL SIZE LETTERS & SYMBOLS (8' (2.4m))	SOLID	WHITE	SEE TYPICAL TURN LANE MARKING DETAIL
TWO WAY LEFT TURN MARKING	2 @ 4 (100) EACH DIRECTION 8' (2.4m) LEFT ARROW	SKIP-DASH AND SOLID IN PAIRS	YELLOW WHITE	10' (3 m) LINE WITH 30' (9 m) SPACE FOR SKIP-DASH 5/2 (140) C-C BETWEEN SOLID LINE AND SKIP-DASH LINE. SEE TYPICAL TWO-WAY LEFT TURN MARKING DETAIL
CROSSWALK LINES (PEDESTRIAN) A. DIAGONALS (BIKE & EQUESTRIAN) B. LONGITUDINAL BARS (SCHOOL)	2 @ 6 (150) 12 (300) @ 45° 12 (300) @ 90°	SOLID SOLID SOLID	WHITE WHITE WHITE	NOT LESS THAN 6' (1.8 m) APART 2' (600) APART 2' (600) APART SEE TYPICAL CROSSWALK MARKING DETAILS.
STOP LINES	24 (600)	SOLID	WHITE	PLACE 4' (1.2 m) IN ADVANCE OF AND PARALLEL TO CROSSWALK, IF PRESENT. OTHERWISE, PLACE AT DESIRED STOPPING POINT, PARALLEL TO CROSSROAD CENTERLINE, WHERE POSSIBLE
PAINTED MEDIANS	2 @ 4 (100) WITH 12 (300) DIAGONALS @ 45° NO DIAGONALS USED FOR 4' (1.2 m) WIDE MEDIANS	SOLID	YELLOW; TWO WAY TRAFFIC WHITE; ONE WAY TRAFFIC	11 (280) C-C FOR THE DOUBLE LINE. SEE TYPICAL PAINTED MEDIAN MARKING.
GORE MARKING AND CHANNELIZING LINES	8 (200) WITH 12 (300) DIAGONALS @ 45°	SOLID	WHITE	DIAGONALS: 15' (4.5 m) C-C (LESS THAN 30MPH (50 km/h)) 20' (6 m) C-C 30MPH (50 km/h) TO 45MPH (70 km/h) 30' (9 m) C-C (OVER 45MPH (70 km/h))
RAILROAD CROSSING	24 (600) TRANSVERSE LINES; "RR" 15' (4.5 m) LETTERS; 16 (400) LINE FOR "X"	SOLID	WHITE	SEE STATE STANDARD 780001 AREA OF: "R"=3.6 SQ. FT. (0.33 m ²) EACH "X"=54.0 SQ. FT. (5.0 m ²) EACH
SHOULDER DIAGONALS	12 (300) @ 45°	SOLID	WHITE - RIGHT YELLOW - LEFT	50' (15 m) C-C (LESS THAN 30MPH (50 km/h)) 75' (25 m) C-C (30 MPH (50 km/h) TO 45MPH (70 km/h)) 150' (45 m) C-C (OVER 45MPH (70 km/h))

FOR FURTHER DETAILS ON PAVEMENT MARKING REFER TO STANDARD SPECIFICATIONS FOR ROAD AND BRIDGE CONSTRUCTION AND STATE STANDARD 780001.

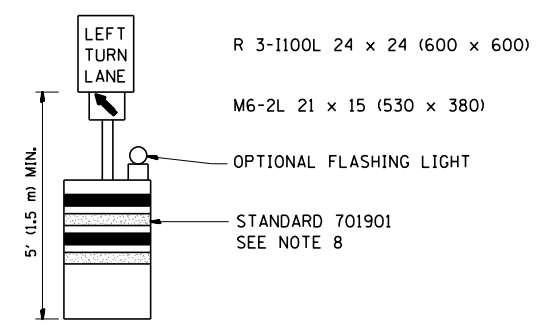
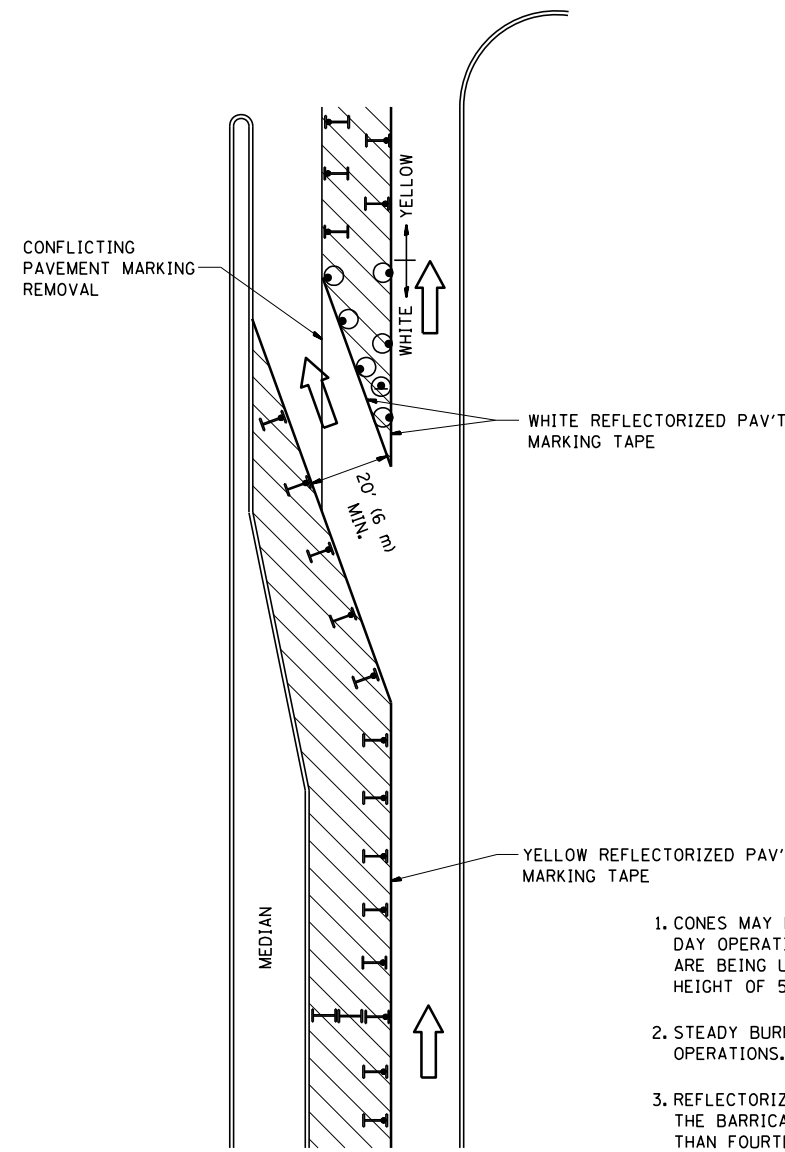
All dimensions are in inches (millimeters) unless otherwise shown.

FILE NAME =	USER NAME = qureshiya	DESIGNED - EVERS	REVISED -T, RAMMACHER 10-27-94
ca:\pw_work\p1dot\qureshiya\0434121\Dis\Std.dgn		DRAWN -	REVISED -C, JUCIUS 09-09-09
	PLOT SCALE = 100.0000' / in.	CHECKED -	REVISED -
	PLOT DATE = 5/21/2015	DATE - 03-19-90	REVISED -

STATE OF ILLINOIS
DEPARTMENT OF TRANSPORTATION

DISTRICT ONE			
TYPICAL PAVEMENT MARKINGS			
SCALE: NONE	SHEET NO. 1 OF 1 SHEETS	STA.	TO STA.

F.A.P. RTE.	SECTION	COUNTY	TOTAL SHEETS	SHEET NO.
347	2015-037RS	COOK	15	12
TC-13		CONTRACT NO. 62A96		
FED. ROAD DIST. NO. 1 ILLINOIS FED. AID PROJECT				


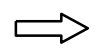
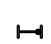


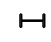


GENERAL NOTES

1. CONES MAY BE SUBSTITUTED FOR BARRICADES OR DRUMS AT HALF THE SPACING DURING DAY OPERATIONS. CONES SHALL BE A MINIMUM OF 28 (710) IN HEIGHT. WHEN CONES ARE BEING USED, THE "LEFT TURN LANE" SIGN MAY BE SKID MOUNTED AT A MINIMUM HEIGHT OF 5' (1.5 m).
2. STEADY BURNING LIGHTS WILL NOT BE REQUIRED ON BARRICADES OR DRUMS FOR DAY OPERATIONS. ALL LIGHTS SHALL BE MONODIRECTIONAL.
3. REFLECTORIZED TEMPORARY PAVEMENT MARKING TAPE SHALL BE PLACED THROUGHOUT THE BARRICADED AREA OF EACH TURN BAY WHERE THE CLOSURE TIME IS GREATER THAN FOURTEEN DAYS.
4. THIS APPLICATION ALSO APPLIES WHEN WORK IS BEING PERFORMED IN THE RIGHT LANE(S) AND THE RIGHT TURN BAY IS TO REMAIN OPEN. UNDER THIS CONDITION, "RIGHT TURN LANE" R3-100 24 x 24 (600 x 600) AND M6-2R 21 x 15 (530 x 380) SHALL BE USED.
5. THESE CONTROLS SHALL SUPPLEMENT MAINLINE TRAFFIC CONTROL FOR LANE CLOSURES.
6. LONGITUDINAL DIMENSIONS MAY BE ADJUSTED TO FIT FIELD CONDITIONS.
7. FORM OPER 725 IS REQUIRED.
8. IF A DRUM OR TYPE II BARRICADE WITH AN ATTACHED SIGN PANEL WHICH MEETS NCHRP 350 REQUIREMENTS IS NOT AVAILABLE, THE SIGNS SHALL BE MOUNTED, ABOVE THE BARRICADES, ON SEPARATE SIGNS SUPPORTS THAT MEET NCHRP 350 PREQUIREMENTS.
9. TRAFFIC CONTROL AND PROTECTION AT TURN BAYS (TO REMAIN OPEN TO TRAFFIC) SHALL BE INCLUDED IN THE COST SPECIFIED TRAFFIC CONTROL STANDARDS OR ITEMS.

All dimensions are in inches (millimeters) unless otherwise shown.

LEGEND

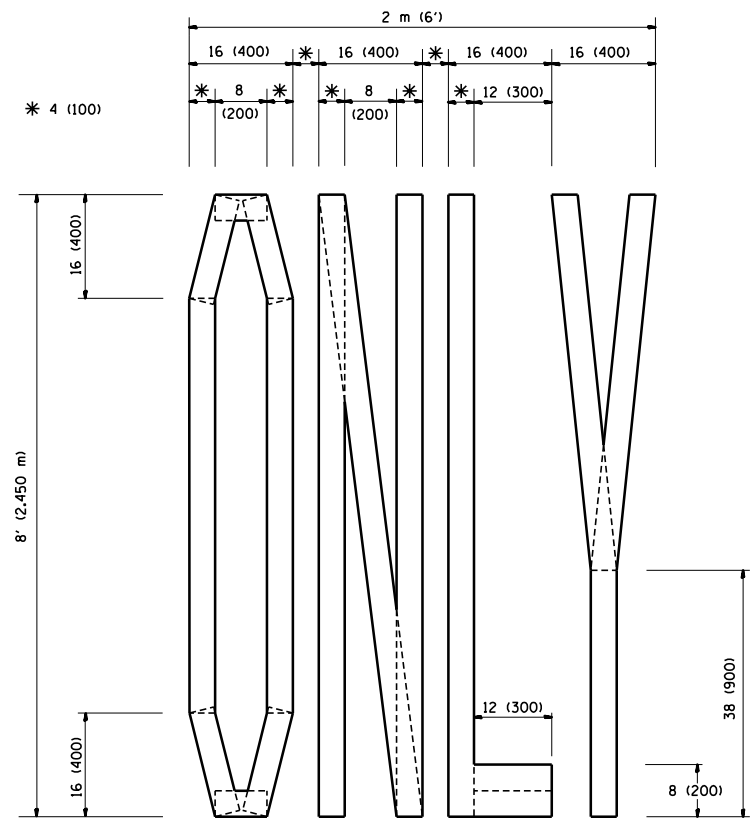
-  WORK AREA
-  LANE OPEN TO TRAFFIC
-  TYPE I OR II BARRICADE WITH STEADY BURN LIGHT
-  DRUM WITH STEADY BURN LIGHT
-  DRUM WITH SIGN (WITH OPTIONAL FLASHING LIGHT) SEE DETAIL
-  TYPE I OR II CHECK BARRICADE WITH FLASHING LIGHT

FILE NAME =	USER NAME = qureshiya	REVISED -T. RAMMACHER 09-08-94	REVISED - R. BORO 09-14-09
es:\pwork\pwork\qureshiya\d0434121\Dis	Std.dgn	REVISED - A. HOUSEH 11-07-95	REVISED -
	PLOT SCALE = 100.0000' / 1in.	REVISED - A. HOUSEH 10-12-96	REVISED -
	PLOT DATE = 5/21/2015	REVISED -T. RAMMACHER 01-06-00	REVISED -

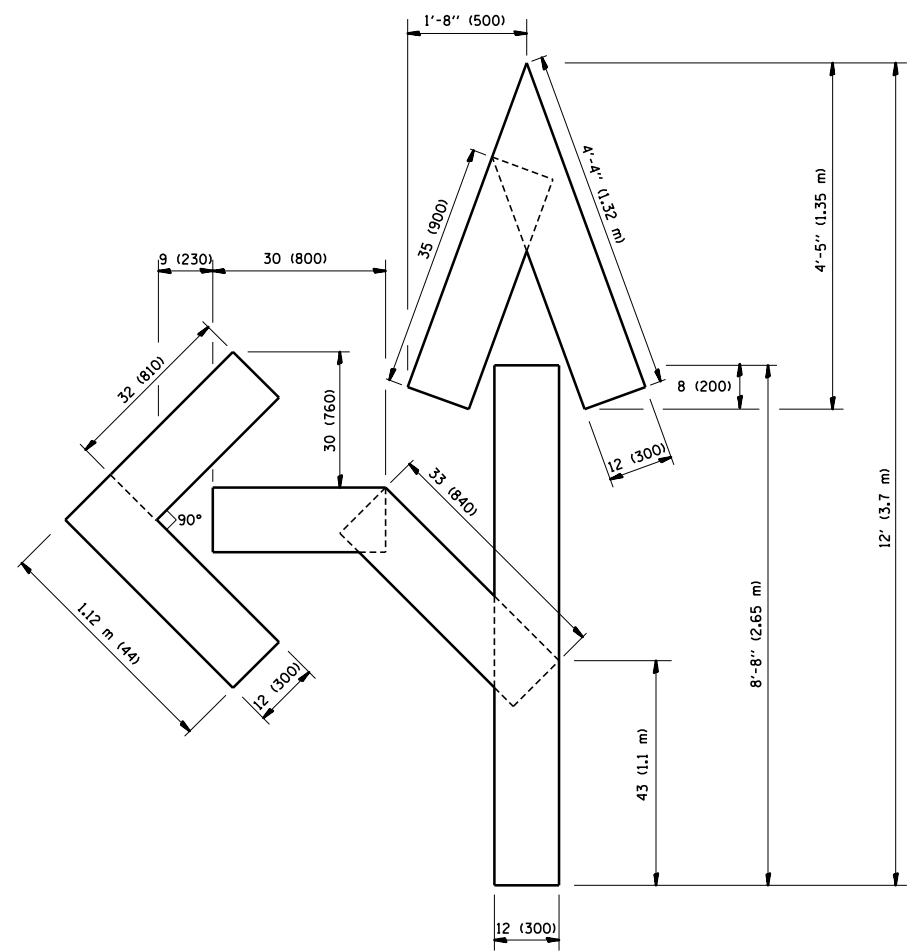
**STATE OF ILLINOIS
DEPARTMENT OF TRANSPORTATION**

TRAFFIC CONTROL AND PROTECTION AT TURN BAYS (TO REMAIN OPEN TO TRAFFIC)			
SCALE: NONE	SHEET NO. 1 OF 1 SHEETS	STA.	TO STA.

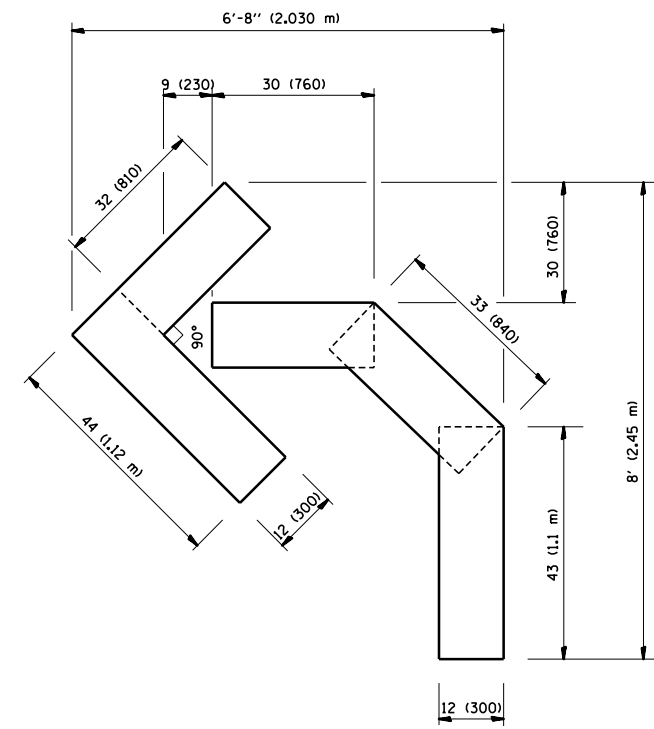
F.A.P. RTE.	SECTION	COUNTY	TOTAL SHEETS	SHEET NO.
347	2015-037RS	COOK	15	13
TC-14		CONTRACT NO. 62A96		
FED. ROAD DIST. NO. 1 ILLINOIS FED. AID PROJECT				



QUANTITY
 4 (100) LINE = 64.1 ft. (19.7 m)
 21.1 sq. ft. (1.97 sq. m)



QUANTITY
 4 (100) LINE = 82.5 ft. (25.3 m)
 27.5 sq. ft. (2.53 sq. m)



QUANTITY
 4 (100) LINE = 45.5 ft. (13.9 m)
 15.2 sq. ft. (1.39 sq. m)

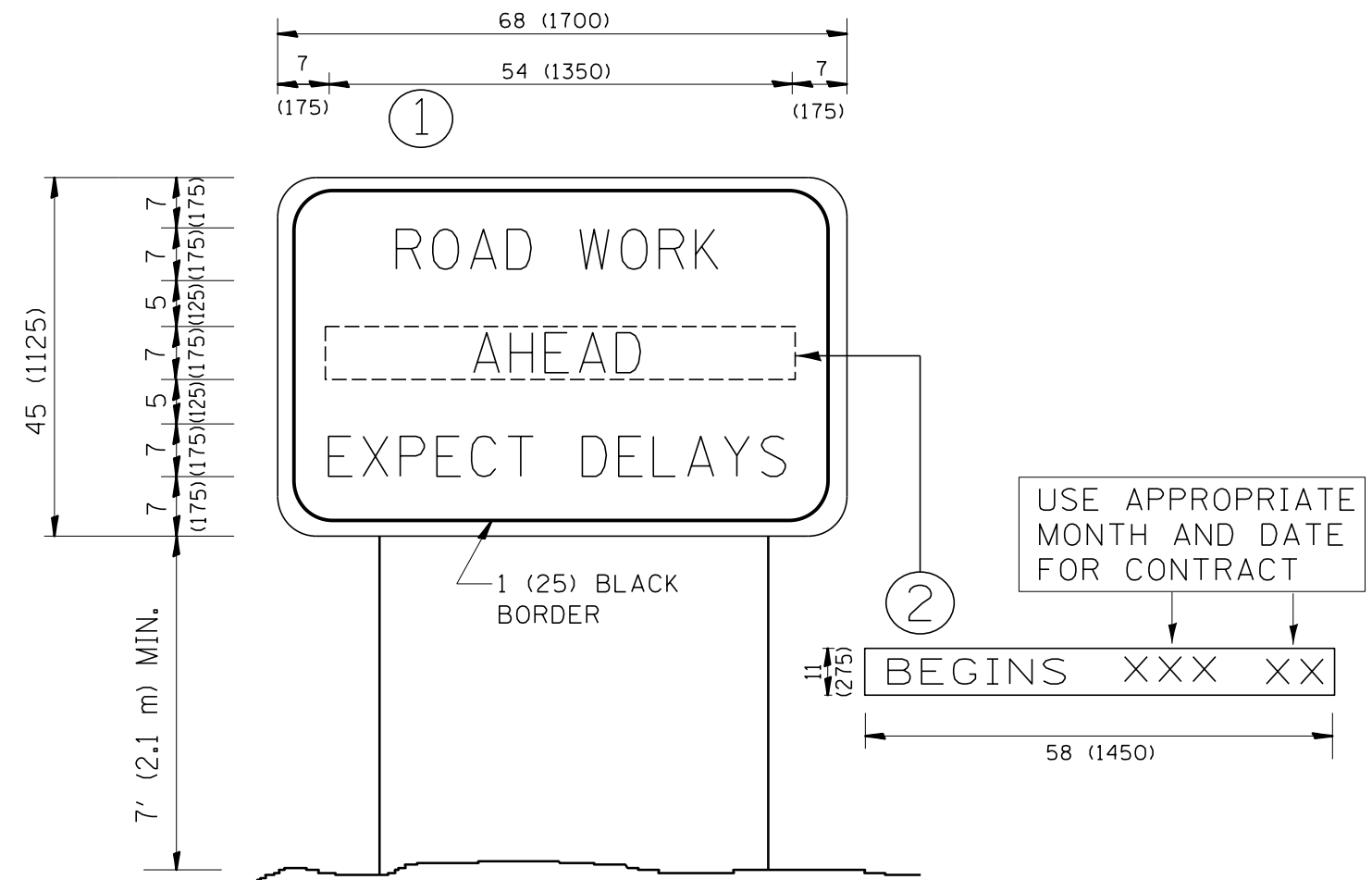
All dimensions are in inches (millimeters) unless otherwise shown.

FILE NAME =	USER NAME = qureshiya	DESIGNED -	REVISED -T. RAMMACHER 06-05-96
ca:\pwork\pwork\qureshiya\d0434121\Dis	Std.dgn	DRAWN -	REVISED -T. RAMMACHER 11-04-97
	PLOT SCALE = 100.0000' / 1"	CHECKED -	REVISED -T. RAMMACHER 03-02-98
	PLOT DATE = 5/21/2015	DATE - 09-18-94	REVISED -E. GOMEZ 08-28-00

STATE OF ILLINOIS
 DEPARTMENT OF TRANSPORTATION

PAVEMENT MARKING LETTERS AND SYMBOLS FOR TRAFFIC STAGING			
SCALE: NONE	SHEET NO. 1	OF 1 SHEETS	STA. TO STA.

F.A.P. RTE.	SECTION	COUNTY	TOTAL SHEETS	SHEET NO.
347	2015-037RS	COOK	15	14
TC-16			CONTRACT NO. 62A96	
FED. ROAD DIST. NO. 1 ILLINOIS FED. AID PROJECT				



NOTES:

1. USE BLACK LETTERING ON ORANGE BACKGROUND.
2. ERECT SIGNS IN ADVANCE OF THE LOCATION FOR THE "ROAD CONSTRUCTION AHEAD" SIGN AT LOCATIONS AS DIRECTED BY THE ENGINEER.
3. ERECT SIGN ① WITH INSTALLED PANEL ② ONE WEEK PRIOR TO THE START OF CONSTRUCTION.
4. REMOVE PANEL ② SOON AFTER THE START OF CONSTRUCTION.
5. SEE SPECIAL PROVISION FOR "TEMPORARY INFORMATION SIGNING" FOR ADDITIONAL INFORMATION.
6. ONE SIGN ASSEMBLY EQUALS 25.70 SQ. FT. (2.3 SQ. M.)
7. SHALL BE PAID FOR AS TEMPORARY INFORMATION SIGNING.

ALL DIMENSIONS ARE IN INCHES (MILLIMETERS) UNLESS OTHERWISE SHOWN.

FILE NAME =	USER NAME = qureshiya	DESIGNED -	REVISED - R. MIRS 09-15-97
ca:\pw_work\pwidot\qureshiya\d0434121\Dis	Std.dgn	DRAWN -	REVISED - R. MIRS 12-11-97
	PLOT SCALE = 100.0000' / 1in.	CHECKED -	REVISED - T. RAMMACHER 02-02-99
	PLOT DATE = 5/21/2015	DATE -	REVISED - C. JUCIUS 01-31-07

**STATE OF ILLINOIS
DEPARTMENT OF TRANSPORTATION**

**ARTERIAL ROAD
INFORMATION SIGN**

SCALE: NONE SHEET NO. 1 OF 1 SHEETS STA. TO STA.

F.A.P. RTE.	SECTION	COUNTY	TOTAL SHEETS	SHEET NO.
347	2015-037RS	COOK	15	15
TC-22		CONTRACT NO. 62A96		
FED. ROAD DIST. NO. 1 ILLINOIS FED. AID PROJECT				