

STATE OF ILLINOIS
DEPARTMENT OF TRANSPORTATION

RTE	SECTION	COUNTY	TOTAL SHEETS	SHEET NO.
VAR	D9 DECK SEAL 2021-1	VARIOUS	7	1
		ILLINOIS	CONTRACT NO. 78797	

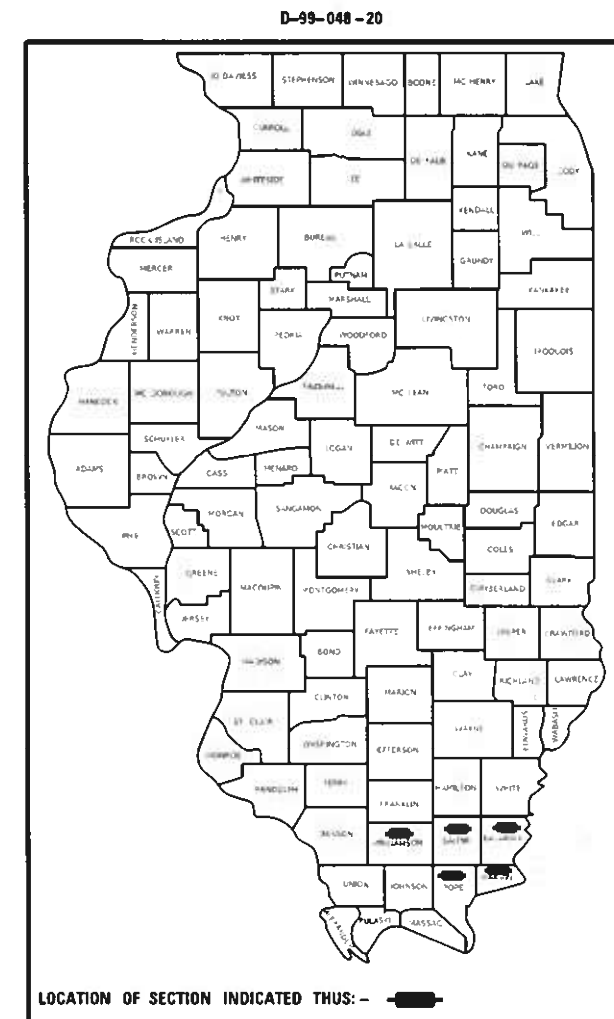
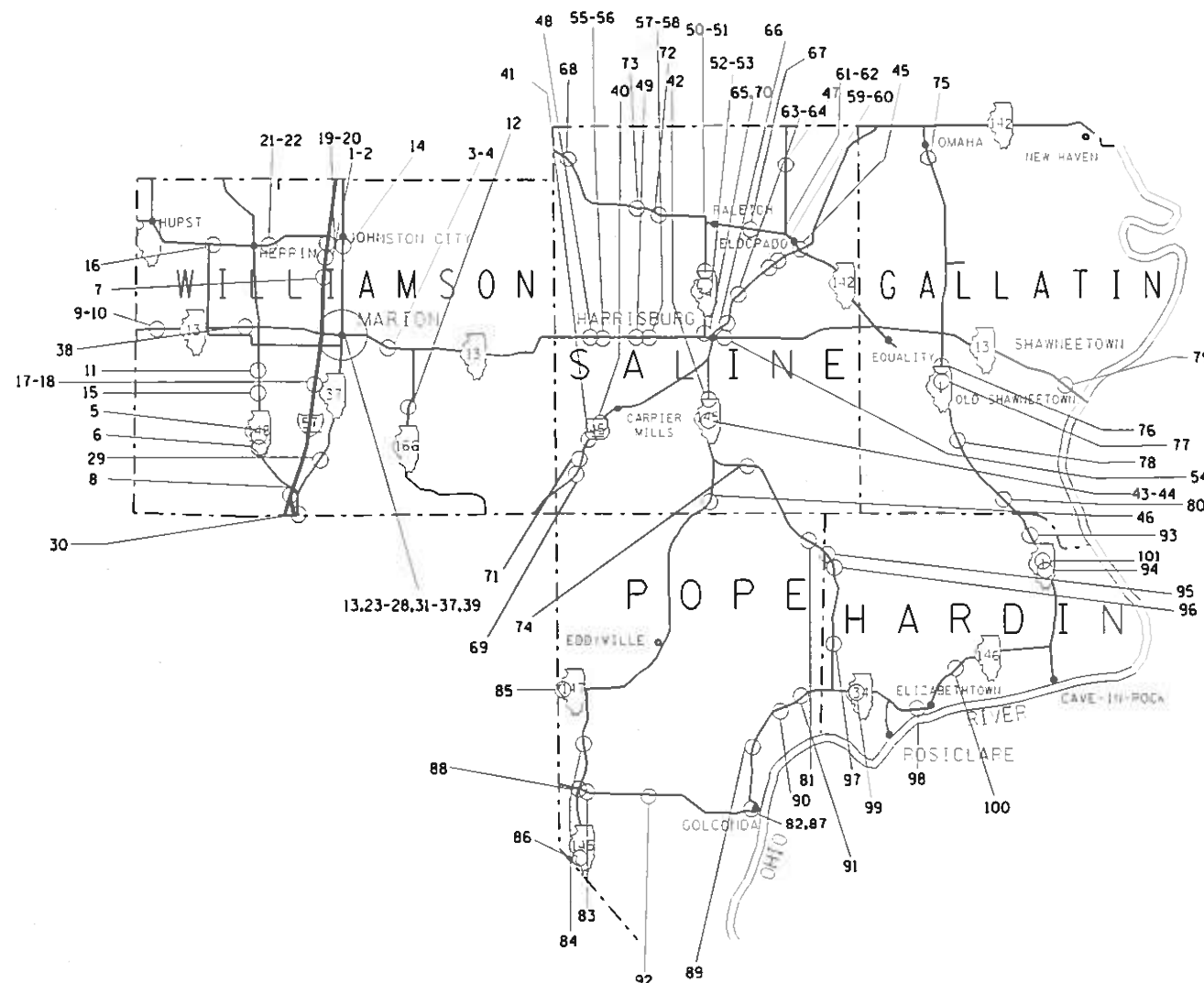
FOR INDEX OF SHEETS, SEE SHEET NO. 3
FOR SUMMARY OF QUANTITIES, SEE SHEET NO. 4

**PROPOSED
HIGHWAY PLANS**

VARIOUS ROUTES
SECTION D9 DECK SEAL 2021-1

VARIOUS STRUCTURES
VARIOUS COUNTIES

C-99-070-20



J.U.L.I.E.
JOINT UTILITY LOCATION INFORMATION FOR EXCAVATION
1-800-892-0123
OR 811

PROJECT ENGINEER: DAVID PICHE
PROJECT DESIGNER: NATHANIEL MORRIS

CONTRACT NO. 78797

STATE OF ILLINOIS
DEPARTMENT OF TRANSPORTATION

SUBMITTED 06-26-20
[Signature]
REGION FIVE ENGINEER

June 26, 2020
[Signature]
ENGINEER OF DESIGN AND ENVIRONMENT

June 26, 2020
[Signature]
DIRECTOR OF HIGHWAYS PROJECT IMPLEMENTATION 13

PRINTED BY THE AUTHORITY
OF THE STATE OF ILLINOIS

MO:FL: Deliaul
FILE: \\p01\baronora.dar.dlinis\spw\PIH\DOT\Documents\JDOT_G08res\District_28\01\m\1517372\CAD\01\m\01\01\Sheet\02\sheet02.dwg: Streets.dwg

Prepared By: Charles Stein
DISTRICT STUDIES & PLANS ENGINEER

Examined By: _____
DISTRICT LAND ACQUISITION ENGINEER

Examined By: C. Miller
DISTRICT PROGRAM DEVELOPMENT ENGINEER

Examined By: Karl N...
DISTRICT OPERATIONS ENGINEER

Examined By: K. P. ...
DISTRICT PROJECT IMPLEMENTATION ENGINEER

Examined By: Daryl J. ...
DISTRICT CONSTRUCTION ENGINEER

Examined By: R. ...
DISTRICT MATERIALS ENGINEER

USER NAME = MORRISNR	DESIGNED - _____	REVISED - _____
DRAWN - _____	REVISOR - _____	DATE - _____
PLOT SCALE = 100.0000' / in.	CHECKED - _____	REVISION - _____
PLOT DATE = 2/19/2020	DATE - _____	REVISION - _____

**STATE OF ILLINOIS
DEPARTMENT OF TRANSPORTATION**

DISTRICT SIGNATURE SHEET

SCALE: _____ SHEET 1 OF 1 SHEETS

RT#	SECTION	COUNTY	TOTAL SHEETS	SHEET NO.
VAR	D9 Deck Seal 2021-1	VARIOUS	7	2
			CONTRACT NO. 78797	
ILLINOIS FED. AID PROJECT				

GENERAL NOTES

All expansion joints shall be cleaned of all debris by blowing with high pressure air.

Under expansion joints all beam ends and substructure units shall be cleaned of all debris by blowing with high pressure air as directed by the Engineer

COMMITMENTS: NONE

HIGHWAY STANDARDS

- 000001-07 STANDARD SYMBOLS ABBREVIATIONS & PATTERNS
- 701001-02 OFF-ROAD OPERATIONS 2L2W 15FT MIN FROM EOP
- 701006-05 OFF-ROAD OPERATIONS 2L2W 15FT TO EOP
- 701011-04 OFF-ROAD MOVING OPERATIONS 2L2W DAY ONLY
- 701101-05 OFF-ROAD OPERATIONS MULTILANE LESS THAN 15FT TO EOP
- 701106-02 OFF-ROAD OPERATIONS MULTILANE MORE THAN 15FT AWAY
- 701201-05 LANE CLOSURE 2L2W DAY ONLY
- 701400-09 APPROACH TO LANE CLOSURE FREEWAY EXPRESSWAY
- 701401-12 LANE CLOSURE FREEWAY EXPRESSWAY
- 701411-09 LANE CLOSURE MULTILANE ENTRY OR EXIT RAMP 45 MPH OR MORE
- 701421-08 LANE CLOSURE MULTILANE DAY OPERATIONS ONLY 45-55 MPH
- 701428-01 TRAFFIC CONTROL SETUP REMOVAL FREEWAY EXPRESSWAY
- 701451-05 RAMP CLOSURE FREEWAY EXPRESSWAY
- 701901-08 TRAFFIC CONTROL DEVICES

INDEX OF SHEETS

- 1. COVER SHEET
- 2. SIGNATURE SHEET
- 3. HIGHWAY STANDARDS, INDEX OF SHEETS, GENERAL NOTES
- 4. SUMMARY OF QUANTITIES, PARAPET/SAFETY WALK CONFIGURATIONS
- 5-7 BRIDGE DECK SEALING SCHEDULES BY COUNTY

M:\P\1\Permit\Illinois\pwr\2007\2010\Documents\110116\110116.dwg 3/8/2010 10:28:27 AM 110116.dwg 110116.dwg

USER NAME = MORRISNR	DESIGNED -	REVISED -
DRAWN -	CHECKED -	REVISED -
PLOT SCALE = 100.0000' / 1"	DATE -	REVISED -
PLOT DATE = 4/8/2020		

**STATE OF ILLINOIS
DEPARTMENT OF TRANSPORTATION**

GENERAL NOTES, INDEX OF SHEETS, HIGHWAY STANDARDS

SCALE: _____ SHEET 1 OF 1 SHEETS

RTE	SECTION	COUNTY	TOTAL SHEETS	SHEET NO.
VAR	D9 Deck Seal 2021-1	VARIOUS	7	3
			CONTRACT NO. 78797	
ILLINOIS FED AID PROJECT				

SUMMARY OF QUANTITIES

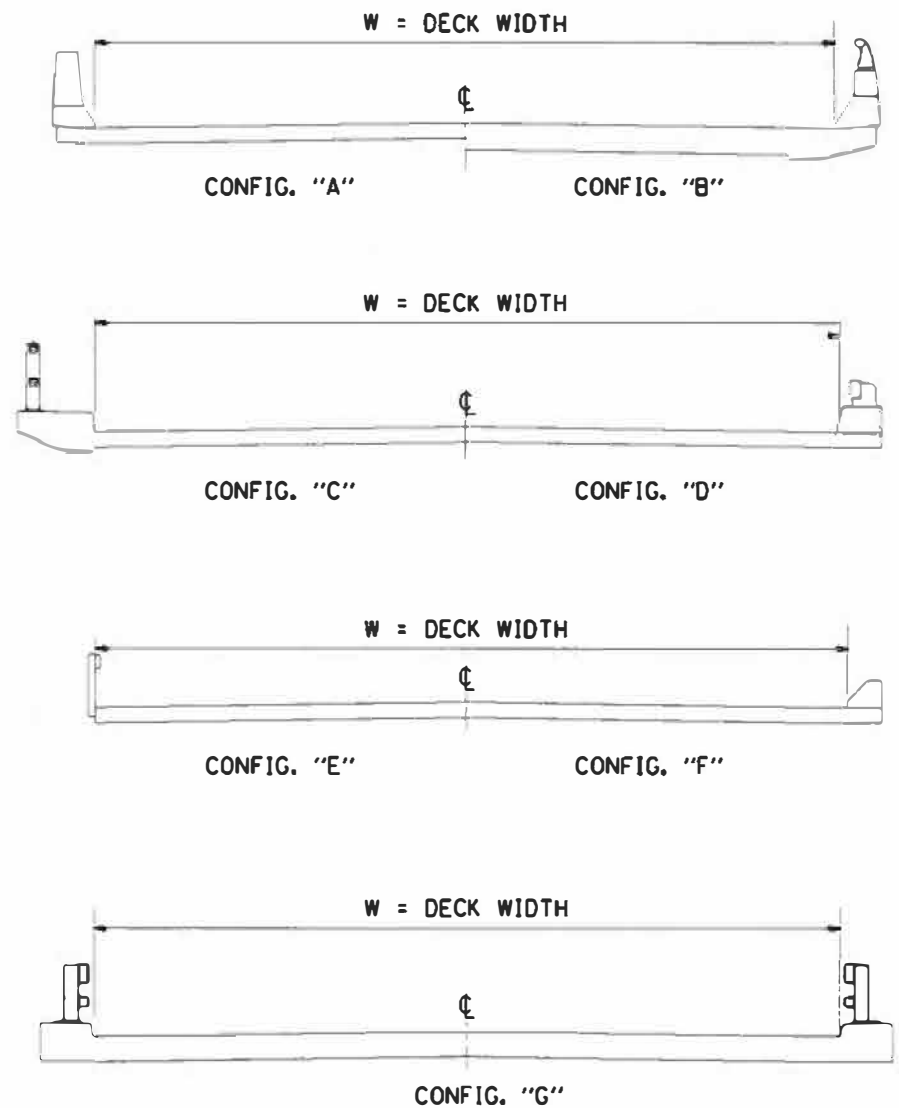
VARIOUS COUNTIES
VARIOUS ROUTES

CONSTRUCTION TYPE CODE - 0047
100% STATE

CODE NUMBER	ITEM DESCRIPTION	UNIT	TOTAL QUANTITY
67100100	MOBILIZATION	L SUM	1
70100310	TRAFFIC CONTROL AND PROTECTION, STANDARD 701421	L SUM	1
70100420	TRAFFIC CONTROL AND PROTECTION, STANDARD 701411	EACH	8
70100450	TRAFFIC CONTROL AND PROTECTION, STANDARD 701201	L SUM	1
70100800	TRAFFIC CONTROL AND PROTECTION, STANDARD 701401	L SUM	1
70100820	TRAFFIC CONTROL AND PROTECTION, STANDARD 701451	L SUM	1
70200100	NIGHTTIME WORKZONE LIGHTING	L SUM	1
X5870015	BRIDGE DECK CONCRETE SEALER	SQ FT	810976

PARAPET/SAFETY WALK CONFIGURATIONS

(NOT TO SCALE)



REV. - MS

MODIFIED: 12/1/2019
 FILE NAME: p:\projects\2019\11\11-0000\11-0000.dwg
 USER: jmc
 DATE: 11/1/2019

USER NAME = jmc	DESIGNED -	REVISED -
PLOT SCALE = 100.0000 1" = 100'	DRAWN -	REVISED -
PLOT DATE = 11/1/2019	CHECKED -	REVISED -
	DATE -	REVISED -

STATE OF ILLINOIS
DEPARTMENT OF TRANSPORTATION

SUMMARY OF QUANTITIES, PARAPET/SAFETY WALK CONFIGURATIONS

SCALE: SHEET 1 OF 1 SHEETS

SECTION	COUNTY	TOTAL SHEETS	SHEET NO.
D9 Deck Seal 2021-1	VARIOUS	7	4
CONTRACT NO. 78797		ILLINOIS FED. AID PROJECT	

BRIDGE DECK SEALING SCHEDULE WILLIAMSON COUNTY

WILLIAMSON		STRUCTURE NUMBER	Route	FEATURE CROSSED	DECK AREA SQ FT			MISC. AREA		TOTAL QUANTITY SQ FT
								PARAPET/SAFTEYWALK SQ YD	CONFIG.	
1	*	100-0010	I-57 NB	LAKE CREEK BRANCH	5952	39.2	60	294	A	6246
2	*	100-0011	I-57 SB	LAKE CREEK BRANCH	5952	39.2	60	294	A	6246
3		100-0022	IL-13 EB	CRAB ORCHARD CREEK	3855.6	108	35.7	810	C	4665.6
4		100-0023	IL-13 WB	CRAB ORCHARD CREEK	3855.6	108	35.7	810	C	4665.6
5		100-0036	IL-148-FAP 726	LITTLE WOLF CREEK	1520	38	40	285	A	1805
6		100-0037	IL-148	MIDDLE WOLF CREEK	2777.6	99.2	28	744	C	3521.6
7		100-0057	CH 4	INTERSTATE 57	6762	241.5	28	1811.3	C	8573.25
8		100-0060	I-24 EB	INTERSTATE 57	15969.15	394.3	40.5	2957.3	A	18926.4
9		100-0066	IL-13 WB	CRAB ORCHARD LAKE	5340	133.5	40	1001.3	A	6341.25
10		100-0067	IL-13 WB	CRAB ORCHARD LAKE	4940	123.5	40	926.3	A	5866.25
11		100-0069	IL 148	CRAB ORCHARD LAKE	4908.8	153.4	32	1150.5	A	6308.2
12		100-0070	IL-166	S FORK SALINE RIVER	3872	121	32	907.5	A	4779.5
13		100-0072	IL-37	CRAB ORCHARD CREEK	7344	204	36	1530	A	8874
14		100-0073	IL-37-FAS 2887	LAKE CREEK	2994.4	76	39.4	570	A	3564.4
15		100-0074	IL-148-FAP 726	WOLF CREEK	2937.2	104.9	28	786.8	A	3724
16		100-0075	FAS 908	LITTLE HURRICANE CREEK	2325.6	64.6	36	484.5	A	2810.1
17		100-0076	I-57 NB	CRAB ORCHARD CREEK	10462.05	173.5	60.3	1301.3	A	11763.3
18		100-0077	I-57 SB	CRAB ORCHARD CREEK	10462.05	173.5	60.3	1301.3	A	11763.3
19		100-0078	I-57 NB	LAKE CREEK	12160.17	155.7	78.1	1167.8	A	13327.92
20		100-0079	I-57 SB	LAKE CREEK	12720.69	155.7	81.7	1167.8	A	13888.44
21	*	100-0080	HERRIN RD	TRIB TO POND CREEK	4572	67	36	502.5	A	5074.5
22	*	100-0081	HERRIN RD	TRIB TO POND CREEK	6843.6	130.1	36	975.8	A	7819.35
23		100-0084	I-57 NB	OLD ROUTE 13	13502.4	174	77.6	1305	A	15360.5
24		100-0085	I 57 SB	OLD ROUTE 13	12771.6	174	73.4	1305	A	14601.6
25		100-0086	I-57 NB	CO&E RR	10254.3	133	77.1	997.5	A	11251.8
26		100-0087	I-57 SB	CO&E RR	9815.4	133	73.8	997.5	A	10812.9
27	*	100-0088	I-57 NB	IL 13	35485	410	75.5	3075	A	39098.8
28	*	100-0089	I-57 SB	IL 13	32759	410	69.7	3075	A	36334.4
29		100-0090	IL-37	BN RR	7000	175	40	1312.5	A	10812.9
30		100-0091	IL-37	LITTLE SALINE CREEK	4760	119	40	892.5	A	5652.5
31	*	100-0092	THE HILL AVE	INTERSTATE 57	15060.5	370.3	35	2777.3	A	17837.75
32	*	100-0093	WB IL 13	BNSF RR	19764	306	54	2295	A	22469.1
33	*	100-0094	EB IL 13	BNSF RR	19764	306	54	2295	A	22469.1
34	*	100-0095	WB IL 13	MARATHON DR	8461.8	96.7	54	725.3	A	9597.15
35	*	100-0096	EB IL 13	MARATHON DR	8461.8	96.7	54	725.3	A	9597.15
36	*	100-0097	MORGAN AVE	IL 13	5049.2	134.2	26	1006.5	A	6264.6
37	*	100-0098	I-57 NB	IL 13 EB TO I-57	6526.8	173.1	28	1298.3	A	8047.35
38	*	100-0099	WOLF CREEK RD	IL 13	19306	215.8	70	1618.5	A	21146.8
39	*	100-0100	THE HILL AVE	INTERSTATE 57	12909	370.3	30	2777.3	A	15921.85
		TOTAL SQ FT			380177			50257		437830

*(TOTAL QUANTITY FOR THIS BRIDGE INCLUDES 30FT APPROACH SLABS)

USER NAME = mrrishr PLOT SCALE = 100.0000 / in. PLOT DATE = 4/17/2020	DESIGNED - _____ DRAWN - _____ CHECKED - _____ DATE - _____	REVISED - _____ REVISED - _____ REVISED - _____ REVISED - _____	STATE OF ILLINOIS DEPARTMENT OF TRANSPORTATION	DECK SEAL SCHEDULES SCALE: _____ SHEET 1 OF 3 SHEETS	SECTION = D9 Deck Seal 2021-1 COUNTY = VARIOUS TOTAL SHEETS = 7 SHEET NO. = 5 CONTRACT NO. 78797 ILLINOIS FED. AID PROJECT
-----------------------------------------------------------------------------	----------------------------------------------------------------------	--------------------------------------------------------------------------	-----------------------------------------------------------	----------------------------------------------------------------	-------------------------------------------------------------------------------------------------------------------------------------------

BRIDGE DECK SEALING SCHEDULE SALINE COUNTY

	SALINE	STRUCTURE NUMBER	Route	FEATURE CROSSED	DECK AREA SQ FT	DIMENSIONS		MISC. AREA PARAPET/SAFTEYWALK		TOTAL QUANTITY SQ FT
						L	W	SQ FT	CONFIG.	
40		083-0009	US 45	STREAM	1628	44	37	506	G	2134
41		083-0010	US 45	STREAM	2142.3	57.9	37	665.9	G	2808.15
42		083-0018	IL-34 & 145	BRIER CREEK	1089	33	33	0	E	1089
43		083-0019	IL-34 & 145	S FORK SALINE DITCH	3943.5	119.5	33	0	E	3943.5
44		083-0020	IL-34 & 145	SO FORK SALINE RIVER	3943.5	119.5	33	0	E	3943.5
45		083-0029	IL-142	DRAINAGE DITCH	3324	83.1	40	0	E	3324
46		083-0030	IL-145	TRIB-BATTLEFORD CREEK	2691.2	84.1	32	630.8	A	3322
47	*	083-0031	IL-142	RECTOR CREEK	6182.4	133.2	32	999	A	7181.4
48		083-0035	SBI 13A	POSSUM TAIL BRANCH	1148.4	34.8	33	0	E	1148.4
49		083-0036	SBI 13A	BANKSTON FORK	3408.9	103.3	33	0	E	3408.9
50		083-0037	IL-34	MIDDLE FORK SALINE RIVER	1185.48	53.4	22.2	0	E	1185.48
51		083-0038	IL-34	MIDDLE FORK DITCH	5121.6	155.2	33	0	E	5121.6
52		083-0039	IL-34	BANKSTON CREEK	2501.4	75.8	33	0	E	2501.4
53		083-0040	IL-34	BANKSTON CREEK	3399	103	33	0	E	3399
54		083-0044	IL-13	PANKEY BRANCH	5831	137.2	42.5	933	B	6764
55		083-0050	IL-13 EB	POSSUM TAIL BRANCH	3100	77.5	40	581.3	A	3681.25
56		083-0051	IL-13 WB	POSSUM TAIL BRANCH	3100	77.5	40	581.3	A	3681.25
57		083-0052	IL-13 EB	BANKSTON FORK	7200	180	40	1350	A	8550
58		083-0053	IL-13 WB	BANKSTON FORK	7200	180	40	1350	A	8550
59		083-0054	FAP 332-US 45	STREAM	2184	52	42	390	A	2574
60		083-0055	FAP 332-US 45	STREAM	2184	52	42	390	A	2574
61		083-0056	FAP 332-US 45	STREAM	2268	54	42	405	A	2673
62		083-0057	FAP 332-US 45	STREAM	2268	54	42	405	A	2673
63		083-0058	FAP 332-US 45	STREAM	2675.4	63.7	42	477.8	A	3153.15
64		083-0059	FAP 332-US 45	STREAM	2675.4	63.7	42	477.8	A	3153.15
65		083-0060	NEW IL 13	HARRISBURG DRAIN DITCH	14220	158	90	1185	A	15405
66		083-0062	FAP 332-US 45	MIDDLE FORK SALINE RIVER	20239.8	256.2	79	1921.5	A	22161.3
67		083-0063	Raleigh Rd.	ELDORADO RESEVIOR SPILLWAY	2007	55.75	36	418.1	A	2425.125
68		083-0064	IL-34-FAP 869	MIDDLE FORK SALINE RIVER	4960.8	137.8	36	1033.5	A	5994.3
69		083-0065	US 45-FAP881	GRASSY CREEK	7087.6	188.5	37.6	1413.8	A	8501.35
70		083-0066	IL-34	DRAINAGE DITCH	4082	78.5	52	588.8	A	4670.75
71	*	083-0067	FAP 332-US 45	S FORK SALINE RIVER	8665.6	210.8	32	1581	A	10246.6
72	*	083-0068	IL-34	UNNAMED STREAM	5050.8	80.3	36	602.3	A	5653.05
73	*	083-0069	IL-34	GASSAWAY BRANCH	5508	93	36	697.5	A	6205.5
74	*	083-0070	IL-34	SPRING VALLEY CREEK	4849.2	74.7	36	560.3	A	5409.5
TOTAL SQ FT					134992			16703		179209

*(TOTAL QUANTITY FOR THIS BRIDGE INCLUDES 30FT APPROACH SLABS)

I:\Projects\2020\083-0070\Drawings\083-0070-100-DECK SEAL SCHEDULES\083-0070-100-DECK SEAL SCHEDULES.dwg
 PLOT DATE = 4/17/2020
 FILE NAME = 083-0070-100-DECK SEAL SCHEDULES.dwg

USER NAME = mpratt	DESIGNED - _____	REVISOR - _____
PLOT SCALE = 100.0000 * 1/8" = 1'.	DRAWN - _____	CHECKED - _____
PLOT DATE = 4/17/2020	DATE - _____	REVISOR - _____

DESIGNED - _____	REVISOR - _____
DRAWN - _____	CHECKED - _____
DATE - _____	REVISOR - _____

**STATE OF ILLINOIS
DEPARTMENT OF TRANSPORTATION**

DECK SEAL SCHEDULES	
SCALE: _____	SHEET 2 OF 3 SHEETS

ROUTE	SECTION	COUNTY	TOTAL SHEETS	SHEET NO.
VAR	D9 Deck Seal 2021-1	VARIOUS	7	6
CONTRACT NO. 78797				
ILLINOIS FED. AID PROJECT				

BRIDGE DECK SEALING SCHEDULE GALLATIN COUNTY

GALLATIN				DECK AREA	DIMENSIONS		MISC. AREA		TOTAL QUANTITY
	STRUCTURE NUMBER	Route	FEATURE CROSSED				PARAPET/SAFTEYWALK	CONFIG.	
				SQ FT	L	W	SQ FT	CONFIG.	SQ FT
75	030-0018	IL-1	CANE CREEK	5313	161	33	0	E	5313
76	030-0020	IL-1-FAP 782	LAWLER DITCH	7022.4	228	30.8	1710	A	8732.4
77	030-0021	IL-1-FAP 782	SALINE RIVER	14476	470	30.8	3525	A	18001
78	030-0022	IL-1-FAP 782	EAGLE CREEK	4736	148	32	740	D	5476
79	030-0023	IL-13	MARKET ST	5040	140	36	1050	A	6090
80	030-0024	IL-1	BEAVER CREEK	4224	132	32	990	A	5214
TOTAL SQ FT				36587			7025		48826

BRIDGE DECK SEALING SCHEDULE POPE COUNTY

POPE				DECK AREA	DIMENSIONS		MISC. AREA		TOTAL QUANTITY
	STRUCTURE NUMBER	Route	FEATURE CROSSED				PARAPET/SAFTEYWALK	CONFIG.	
				SQ FT	L	W	SQ FT	CONFIG.	SQ FT
81	076-0001	IL-34	GIBBONS CREEK	2755.2	86.1	32	292.7	F	3047.94
82	076-0005	IL-146	LUSK CREEK	9810	327	30	1667.7	**	11477.7
83	076-0007	IL-146	HILLS BRANCH	10778.7	347.7	31	1738.5	D	12517.2
84	076-0015	IL-145	SUGAR CREEK	3832.4	114.4	33.5	858	A	4690.4
85	076-0021	IL 147- FAS 932	I.C.R.R.	4329.5	123.7	35	927.8	A	5257.25
86	* 076-0025	ILL 145	BAY CREEK DITCH	10890.2	260.3	34	0	E	11152.5
87	076-0027	IL-146-FAP 885	MILLER CREEK	9572.68	266.5	35.92	1998.8	A	11571.43
88	* 076-0028	ILL 145	ILL 146	9697.25	185.5	39.5	1391.3	A	11387.4
89	* 076-0029	IL 146-FAP 885	SIMMONS CREEK	6480	142.5	32	1068.8	A	7797.65
90	* 076-0030	IL 146	LITTLE GRAND PIERRE	4960	95	32	712.5	A	5672.5
91	* 076-0031	IL 146	BIG GRAND PIERRE CREEK	8384	202	32	1515	A	10147.9
92	* 076-0032	IL 146	FLAT LICK BRANCH	5152	101	32	757.5	A	6158.4
TOTAL SQ FT				86642			7483		100878

BRIDGE DECK SEALING SCHEDULE HARDIN COUNTY

HARDIN				DECK AREA	DIMENSIONS		MISC. AREA		TOTAL QUANTITY
	STRUCTURE NUMBER	Route	FEATURE CROSSED				PARAPET/SAFTEYWALK	CONFIG.	
				SQ FT	L	W	SQ FT	CONFIG.	SQ FT
93	035-0001	IL-1	HARRIS CREEK	2662.11	80.67	33	0	E	2662.11
94	035-0003	IL-1	BRANCH OF ROCK CREEK	1683	51	33	0	E	1683
95	035-0004	IL-34	ROSE CREEK	2603.1	86.77	30	295	F	2898.118
96	035-0005	IL-34	PINHOOK CREEK	2381.73	76.83	31	0	E	2381.73
97	035-0008	IL-34	HOBBS CREEK	1203.73	38.83	31	0	E	1203.73
98	035-0014	IL-146	BIG CREEK	13680	380	36	2850	A	16530
99	035-0015	IL-34 & 146	THREEMILE CREEK	2196.4	68	32.3	510	A	2706.4
100	* 035-0016	IL 146	PETERS CREEK	5743.9	101.8	35.5	763.5	A	6779.7
101	* 035-0017	IL-1	ROCK CREEK	6128	131.5	32	986.3	A	7386.55
TOTAL SQ FT				32154			3655		44231

*(TOTAL QUANTITY FOR THIS BRIDGE INCLUDES 30FT APPROACH SLABS)

** (PARAPET DOES NOT CONFORM TO DESIGNATED CONFIGURATIONS. AREA CALCULATED BY HAND)