

STATE OF ILLINOIS
DEPARTMENT OF TRANSPORTATION

F.A.U. RTE.	SECTION	COUNTY	TOTAL SHEETS	SHEET NO.
8012	(21) PP. 1-5	SANGAMON	6	1
		ILLINOIS	CONTRACT NO. 72M01	

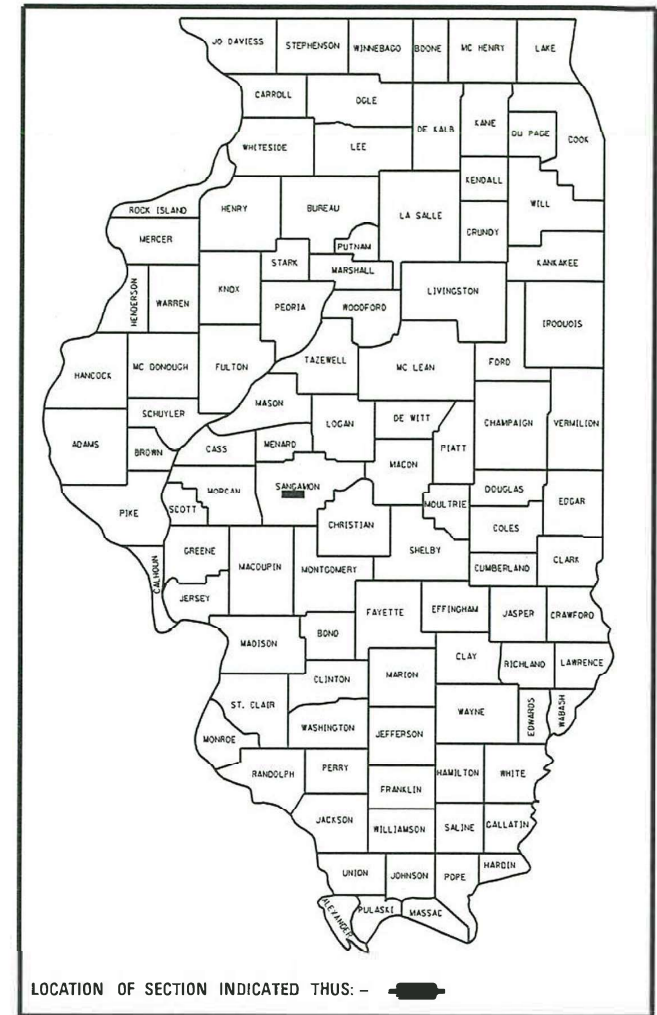
FOR INDEX OF SHEETS, SEE SHEET NO. 2

PROPOSED IMPROVEMENTS

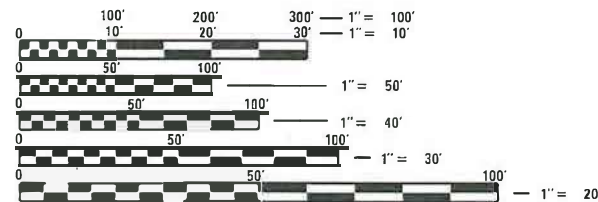
FAU 8012 (OLD US 36)
SECTION (21) PP, 1-5
PATCHING
STATE
SANGAMON CO.

C-96-100-20

D-96-070-20



FAU 8012 (2017)
ADT = 2,100
SU = 150
MU = 30



FULL SIZE PLANS HAVE BEEN PREPARED USING STANDARD ENGINEERING SCALES. REDUCED SIZED PLANS WILL NOT CONFORM TO STANDARD SCALES. IN MAKING MEASUREMENTS ON REDUCED PLANS, THE ABOVE SCALES MAY BE USED.

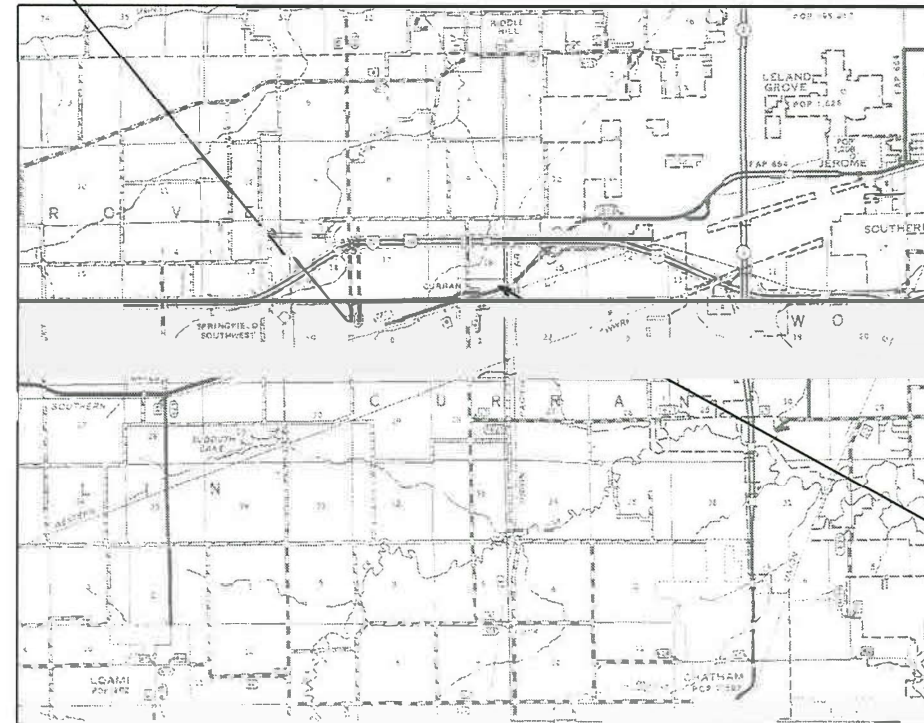
J.U.L.I.E.
JOINT UTILITY LOCATION INFORMATION FOR EXCAVATION
1-800-892-0123
OR 811

START PROJECT
STA. 215+50.00



T 15 N

R 6 W



END PROJECT
STA. 347+80.00

PROJECT ENGINEER : MIKE IRWIN - (217)524-7765
PROJECT MANAGER : TIMOTHY SHARP - (217)524-9160

CONTRACT NO. 72M01

STATE OF ILLINOIS
DEPARTMENT OF TRANSPORTATION

SUBMITTED March 25 2020
[Signature] REGION FOUR ENGINEER

May 8, 2020 *[Signature]*
ENGINEER OF DESIGN AND ENVIRONMENT

May 8, 2020 *[Signature]*
DIRECTOR OF HIGHWAYS PROJECT IMPLEMENTATION 13

PRINTED BY THE AUTHORITY
OF THE STATE OF ILLINOIS

INDEX OF SHEETS

SHEET NO.	DESCRIPTION
1.	COVER SHEET
2.	INDEX OF SHEETS, STANDARDS, GENERAL NOTES & SIGNATURES
3.	SUMMARY OF QUANTITIES
4.	SCHEDULES
5.	LOCATION MAPS
6.	PROJECT TYPICAL SECTIONS

STANDARDS

STANDARD NO.	DESCRIPTION
000001-07	STANDARD SYMBOLS, ABBREVIATIONS AND PATTERNS
442201-03	CLASS C & D PATCHES
701201-05	LANE CLOSURE, 2L, 2W, DAY ONLY, FOR SPEEDS ≥ 45 MPH
701301-04	LANE CLOSURE, 2L, 2W, SHORT TIME OPERATIONS
701306-04	LANE CLOSURE 2L, 2W, SLOW MOVING OPERATIONS DAY ONLY, FOR SPEEDS ≥ 45 MPH
701901-08	TRAFFIC CONTROL DEVICES

STATE OF ILLINOIS
DEPARTMENT OF TRANSPORTATION
DIVISION OF HIGHWAYS
DISTRICT 6

EXAMINED _____ 20 _____
[Signature]
ENGINEER OF OPERATIONS

EXAMINED _____ 20 _____
[Signature]
ENGINEER OF PROJECT IMPLEMENTATION

EXAMINED _____ 20 _____
[Signature]
ENGINEER OF PROGRAM DEVELOPMENT

FILE NAME =	USER NAME = sharptd	DESIGNED -	REVISED -	STATE OF ILLINOIS DEPARTMENT OF TRANSPORTATION	INDEX OF SHEETS, STANDARDS GENERAL NOTES, SIGNATURES	F.A.J. RTE.	SECTION	COUNTY	TOTAL SHEETS	SHEET NO.
S:\EDNTRMAINT_CAD\72HD1 - FAU 8012 IDLO	US 361-PATCHING-SANGAMON CO.CURRAN\PLANS\	DRAWN - 2-gennato	REVISED -			8012	(211 PP. 1-5	SANGAMON	6	2
	PLOT SCALE = 40.0000 / in.	CHECKED -	REVISED -			CONTRACT NO. 72M01				
Default	PLOT DATE = 3/24/2020	DATE -	REVISED -			[ILLINOIS] FED. AID PROJECT				

CODE NO.	ITEM	UNIT	TOTAL QUANTITY	OLD US 36
				0-02174-6034 100% STATE SANGAMON ROADWAY 0006 URBAN
44201341	CLASS C PATCHES, TYPE II, 9 INCH	SQ YD	250	250
44201345	CLASS C PATCHES, TYPE III, 9 INCH	SQ YD	45	45
67100100	MOBILIZATION	L SUM	1	1
70100450	TRAFFIC CONTROL AND PROTECTION, STANDARD 701201	L SUM	1	1
70100460	TRAFFIC CONTROL AND PROTECTION, STANDARD 701306	L SUM	1	1
X0326767	PROFILE DIAMOND GRINDING CONCRETE PAVEMENT	SQ YD	616	616

**STATE OF ILLINOIS
DEPARTMENT OF TRANSPORTATION**

SUMMARY OF QUANTITIES

FILE NAME = S:\CONTRMAINT\CAD\72M01 - FAU 8012 (OLD	USER NAME = shorptd	DESIGNED -	REVISED -	SCALE: _____ SHEET _____ OF _____ SHEETS STA. _____ TO STA. _____	F.A.J. RTE. 8012	SECTION (21) PP. 1-5	COUNTY SANGAMON	TOTAL SHEETS 6	SHEET NO. 3
	US 36-PATCHING-SANGAMON CD\JEURRAH\PLANS\	DRAWN -3-509.dgn DMS	REVISED -						
	PLOT SCALE = 40.0000 ' / in.	CHECKED -	REVISED -						
Default	PLOT DATE = 3/24/2020	DATE -	REVISED -						CONTRACT NO. 72M01

CLASS C PATCHES, 9 INCH		
	TY II (S.Y.)	TY III (S.Y.)
E.B.	125.0	22.5
W.B.	125.0	22.5
TOTAL	250.0	45.0

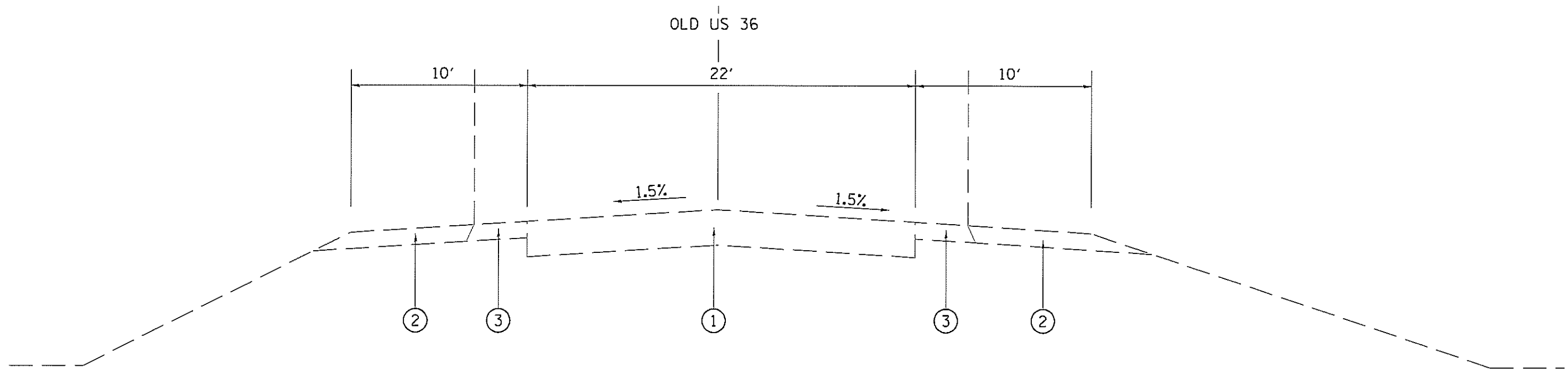
DIAMOND GRINDING AND SURFACE TESTING BUMPS	
STATION	SQ FT
222+30.00	14.7
224+40.00	14.7
225+40.00	14.7
226+00.00	14.7
226+40.00	14.7
227+20.00	14.7
227+20.00	14.7
228+30.00	14.7
228+50.00	14.7
231+50.00	14.7
232+60.00	14.7
233+40.00	14.7
236+60.00	14.7
241+30.00	14.7
246+90.00	14.7
248+50.00	14.7
249+40.00	14.7
252+40.00	14.7
255+20.00	14.7
255+90.00	14.7
257+50.00	14.7
260+90.00	14.7
264+30.00	14.7
269+70.00	14.7
270+90.00	14.7
272+20.00	14.7
281+00.00	14.7
281+50.00	14.7
282+20.00	14.7
282+70.00	14.7
283+10.00	14.7
283+20.00	14.7
284+30.00	14.7
289+80.00	14.7
298+30.00	14.7
302+60.00	14.7
304+30.00	14.7
306+00.00	14.7
307+60.00	14.7
308+70.00	14.7
322+80.00	14.7
328+70.00	14.7
TOTAL	616.0



START PROJECT
STA. 215+50.00

END PROJECT
STA. 347+80.00

FILE NAME = S:\CONTRMAINT_CAD\72M01 - FAU 8012 10LO	USER NAME = shorptd	DESIGNED -	REVISED -	STATE OF ILLINOIS DEPARTMENT OF TRANSPORTATION	PROJECT LOCATION		F.A.U. RTE.	SECTION	COUNTY	TOTAL SHEETS	SHEET NO.	
	US 36-PATCHING-SANGAMON CO;CURRAN\PLANS	DRAWN-5-locations.dgn	REVISED -				8012	(2) PP. 1-5	SANGAMON	6	5	
Default	PLLOT SCALE = 3.0000' / 1in.	CHECKED -	REVISED -		SCALE:	SHEET 1	OF 2 SHEETS	STA.	TO STA.	CONTRACT NO. 72M01		
	PLLOT DATE = 3/24/2020	DATE -	REVISED -		ILLINOIS FED. AID PROJECT							



EXISTING TYPICAL

STA. 215+50.00 TO STA. 347+80.00

- ① EXISTING PCC PAVEMENT, 9"
- ② EXISTING AGGREGATE SHOULDERS
- ③ EXISTING HOT-MIX ASPHALT SHOULDERS, 8"

MODEL: I:\model\...
 FILE: 8012_001_010_115_015_016_017_018_019_020_021_022_023_024_025_026_027_028_029_030_031_032_033_034_035_036_037_038_039_040_041_042_043_044_045_046_047_048_049_050_051_052_053_054_055_056_057_058_059_060_061_062_063_064_065_066_067_068_069_070_071_072_073_074_075_076_077_078_079_080_081_082_083_084_085_086_087_088_089_090_091_092_093_094_095_096_097_098_099_100_101_102_103_104_105_106_107_108_109_110_111_112_113_114_115_116_117_118_119_120_121_122_123_124_125_126_127_128_129_130_131_132_133_134_135_136_137_138_139_140_141_142_143_144_145_146_147_148_149_150_151_152_153_154_155_156_157_158_159_160_161_162_163_164_165_166_167_168_169_170_171_172_173_174_175_176_177_178_179_180_181_182_183_184_185_186_187_188_189_190_191_192_193_194_195_196_197_198_199_200_201_202_203_204_205_206_207_208_209_210_211_212_213_214_215_216_217_218_219_220_221_222_223_224_225_226_227_228_229_230_231_232_233_234_235_236_237_238_239_240_241_242_243_244_245_246_247_248_249_250_251_252_253_254_255_256_257_258_259_260_261_262_263_264_265_266_267_268_269_270_271_272_273_274_275_276_277_278_279_280_281_282_283_284_285_286_287_288_289_290_291_292_293_294_295_296_297_298_299_300_301_302_303_304_305_306_307_308_309_310_311_312_313_314_315_316_317_318_319_320_321_322_323_324_325_326_327_328_329_330_331_332_333_334_335_336_337_338_339_340_341_342_343_344_345_346_347_348_349_350_351_352_353_354_355_356_357_358_359_360_361_362_363_364_365_366_367_368_369_370_371_372_373_374_375_376_377_378_379_380_381_382_383_384_385_386_387_388_389_390_391_392_393_394_395_396_397_398_399_400_401_402_403_404_405_406_407_408_409_410_411_412_413_414_415_416_417_418_419_420_421_422_423_424_425_426_427_428_429_430_431_432_433_434_435_436_437_438_439_440_441_442_443_444_445_446_447_448_449_450_451_452_453_454_455_456_457_458_459_460_461_462_463_464_465_466_467_468_469_470_471_472_473_474_475_476_477_478_479_480_481_482_483_484_485_486_487_488_489_490_491_492_493_494_495_496_497_498_499_500_501_502_503_504_505_506_507_508_509_510_511_512_513_514_515_516_517_518_519_520_521_522_523_524_525_526_527_528_529_530_531_532_533_534_535_536_537_538_539_540_541_542_543_544_545_546_547_548_549_550_551_552_553_554_555_556_557_558_559_560_561_562_563_564_565_566_567_568_569_570_571_572_573_574_575_576_577_578_579_580_581_582_583_584_585_586_587_588_589_590_591_592_593_594_595_596_597_598_599_600_601_602_603_604_605_606_607_608_609_610_611_612_613_614_615_616_617_618_619_620_621_622_623_624_625_626_627_628_629_630_631_632_633_634_635_636_637_638_639_640_641_642_643_644_645_646_647_648_649_650_651_652_653_654_655_656_657_658_659_660_661_662_663_664_665_666_667_668_669_670_671_672_673_674_675_676_677_678_679_680_681_682_683_684_685_686_687_688_689_690_691_692_693_694_695_696_697_698_699_700_701_702_703_704_705_706_707_708_709_710_711_712_713_714_715_716_717_718_719_720_721_722_723_724_725_726_727_728_729_730_731_732_733_734_735_736_737_738_739_740_741_742_743_744_745_746_747_748_749_750_751_752_753_754_755_756_757_758_759_760_761_762_763_764_765_766_767_768_769_770_771_772_773_774_775_776_777_778_779_780_781_782_783_784_785_786_787_788_789_790_791_792_793_794_795_796_797_798_799_800_801_802_803_804_805_806_807_808_809_810_811_812_813_814_815_816_817_818_819_820_821_822_823_824_825_826_827_828_829_830_831_832_833_834_835_836_837_838_839_840_841_842_843_844_845_846_847_848_849_850_851_852_853_854_855_856_857_858_859_860_861_862_863_864_865_866_867_868_869_870_871_872_873_874_875_876_877_878_879_880_881_882_883_884_885_886_887_888_889_890_891_892_893_894_895_896_897_898_899_900_901_902_903_904_905_906_907_908_909_910_911_912_913_914_915_916_917_918_919_920_921_922_923_924_925_926_927_928_929_930_931_932_933_934_935_936_937_938_939_940_941_942_943_944_945_946_947_948_949_950_951_952_953_954_955_956_957_958_959_960_961_962_963_964_965_966_967_968_969_970_971_972_973_974_975_976_977_978_979_980_981_982_983_984_985_986_987_988_989_990_991_992_993_994_995_996_997_998_999_1000

USER NAME = snajprd	DESIGNED -	REVISED -
PLOT SCALE = 5 0000 1/16	DRAWN -	REVISED -
PLOT DATE = 3/24/2020	CHECKED -	REVISED -
	DATE -	REVISED -

STATE OF ILLINOIS
DEPARTMENT OF TRANSPORTATION

TYPICAL	
SCALE	SHEET OF SHEETS STA TO STA

F.A.U. RTE	SECTION	COUNTY	TOTAL SHEETS	SHEET NO.
8012	(21) PP, I-5	SANGAMON	6	6
ILLINOIS FED. AID PROJECT			CONTRACT NO. 72H01	