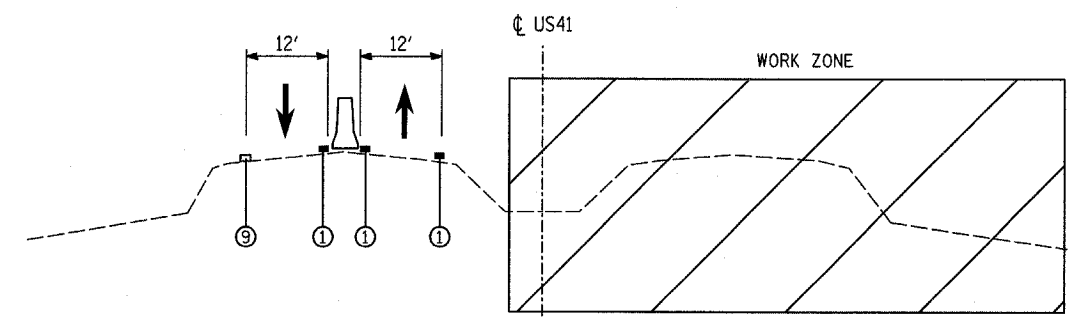


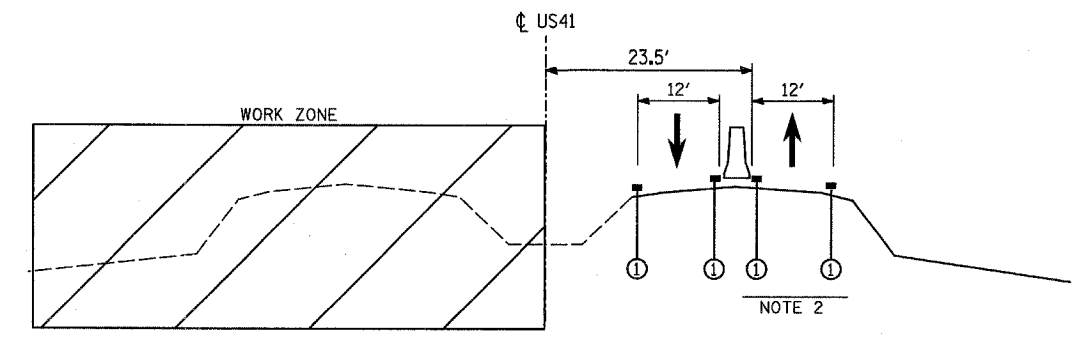
F.A.P. RTE.	SECTION	COUNTY	TOTAL SHEETS	SHE NO.
346		LAKE	469	47
STA.	TO STA.		FED. ROAD DIST. NO. D-91-404-99	ILLINOIS
			FED. AID PROJ. NO.	CONTRACT # 60

STAGE 1



STA 523+00 TO STA 527+00
STA 541+00 TO STA 545+00
(LOOKING SOUTH)

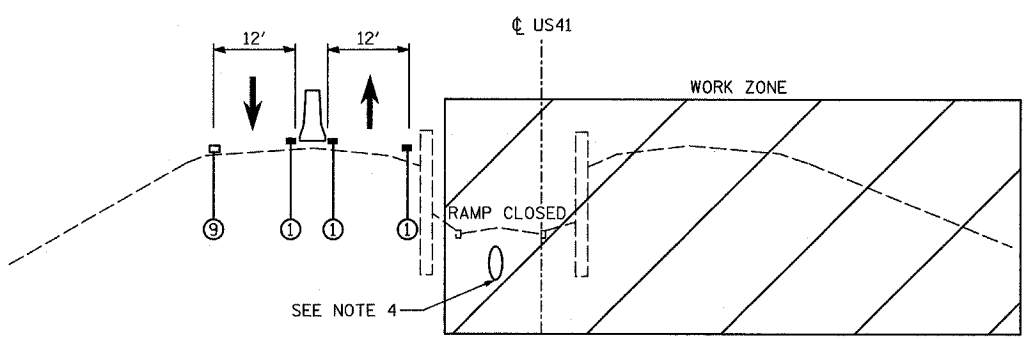
STAGE 2



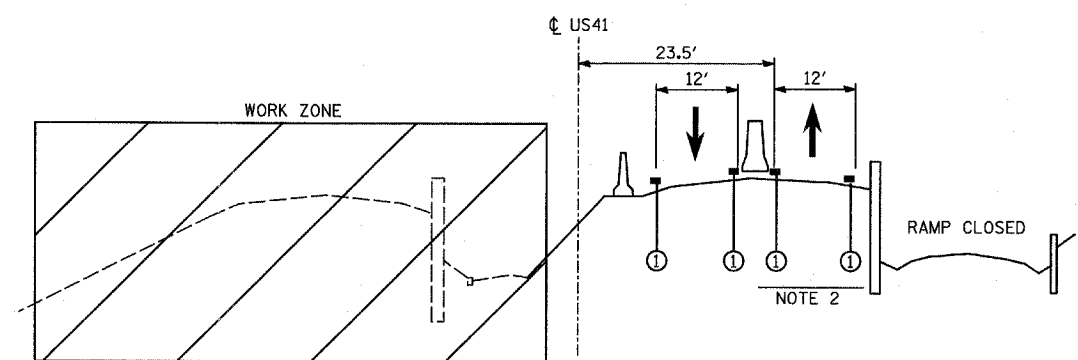
STA 523+00 TO STA 527+00
STA 541+00 TO STA 545+00
(LOOKING SOUTH)

LEGEND

- ① TEMPORARY PAVEMENT MARKING
- ② 10" TEMPORARY PAVEMENT
- ③ 4" TEMPORARY SIDEWALK
- ④ PROPOSED PAVEMENT
- ⑤ PROPOSED CURB AND GUTTER
- ⑥ PROPOSED SIDEWALK
- ⑦ PROPOSED PAVEMENT MARKING
- ⑧ PROPOSED STORM SEWER
- ⑨ EXISTING PAVEMENT MARKING



STA 527+00 TO STA 541+00
(LOOKING SOUTH)

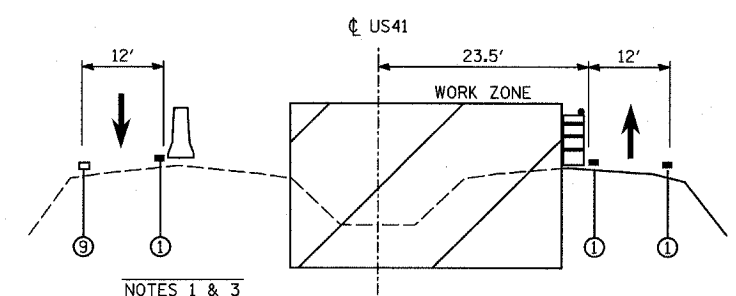


STA 527+00 TO STA 541+00
(LOOKING SOUTH)

NOTES

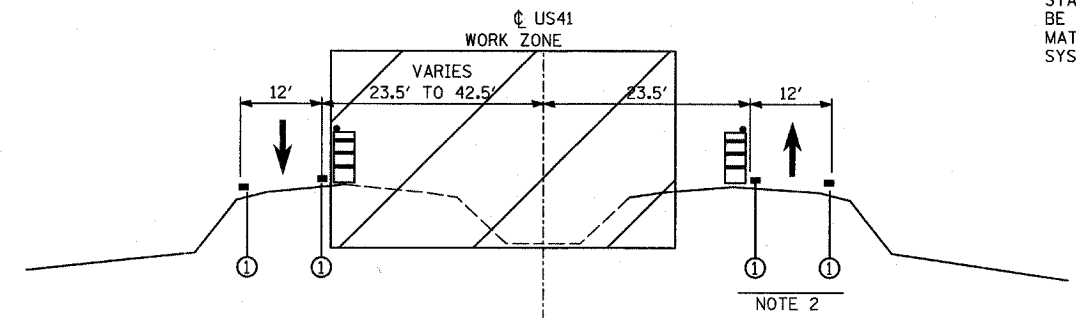
1. TEMPORARY PAVEMENT MARKINGS INSTALLED DURING STAGE 1
2. TEMPORARY PAVEMENT MARKINGS INSTALLED DURING STAGE 1A
3. TEMPORARY BARRIER WALL INSTALLED DURING STAGE 1
4. EXISTING STORM SEWER SHALL BE MAINTAINED DURING ALL STAGES TO PROVIDE POSITIVE DRAINAGE. THIS SEWER WILL BE ABANDONED AND FILLED WITH CONTROLLED LOW STRENGTH MATERIAL (CLSM) AFTER COMPLETION OF PROPOSED SEWER SYSTEM. ALSO SEE GENERAL NOTES, ITEM NO. 21.

STAGE 1A

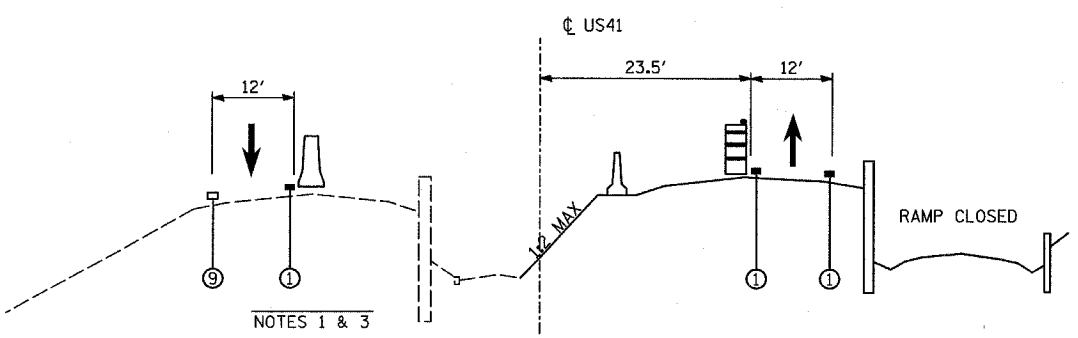


STA 523+00 TO STA 527+00
STA 541+00 TO STA 545+00
(LOOKING SOUTH)

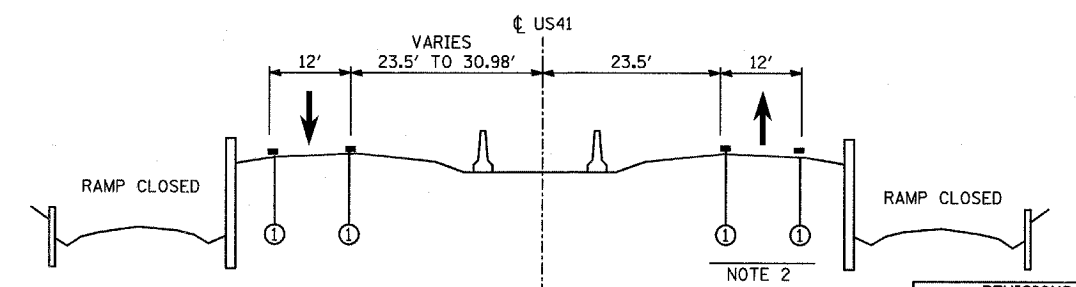
STAGE 2A



STA 523+00 TO STA 527+00
STA 541+00 TO STA 545+00
(LOOKING SOUTH)



STA 527+00 TO STA 541+00
(LOOKING SOUTH)



STA 527+00 TO STA 541+00
(LOOKING SOUTH)

REVISIONS	
NAME	DATE

ILLINOIS DEPARTMENT OF TRANSPORTATION
U.S. 41 (SKOKIE HIGHWAY)
AT IL ROUTE 132
TRAFFIC CONTROL STAGING
TYPICAL SECTIONS
US 41

SCALE: NONE
DATE: MAY 12, 2008

DRAWN BY:
CHECKED BY: