

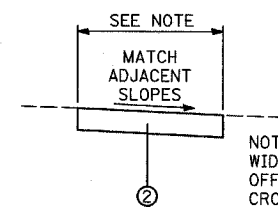
F.A.P. RTE.	SECTION	COUNTY	TOTAL SHEETS	SHE NO.
346		LAKE	469	6
STA. TO STA.		ILLINOIS FED. AID PROJ. CONTRACT # 60		
FED. ROAD DIST. NO. D-91-404-99		ILLINOIS FED. AID PROJ. CONTRACT # 60		

LEGEND

- ① TEMPORARY PAVEMENT MARKING
- ② 10" TEMPORARY PAVEMENT
- ③ 4" TEMPORARY SIDEWALK
- ④ PROPOSED PAVEMENT
- ⑤ PROPOSED CURB AND GUTTER
- ⑥ PROPOSED SIDEWALK
- ⑦ PROPOSED STORM SEWER
- ⑧ PROPOSED PAVEMENT FOR TEMPORARY STABILIZATION

NOTES

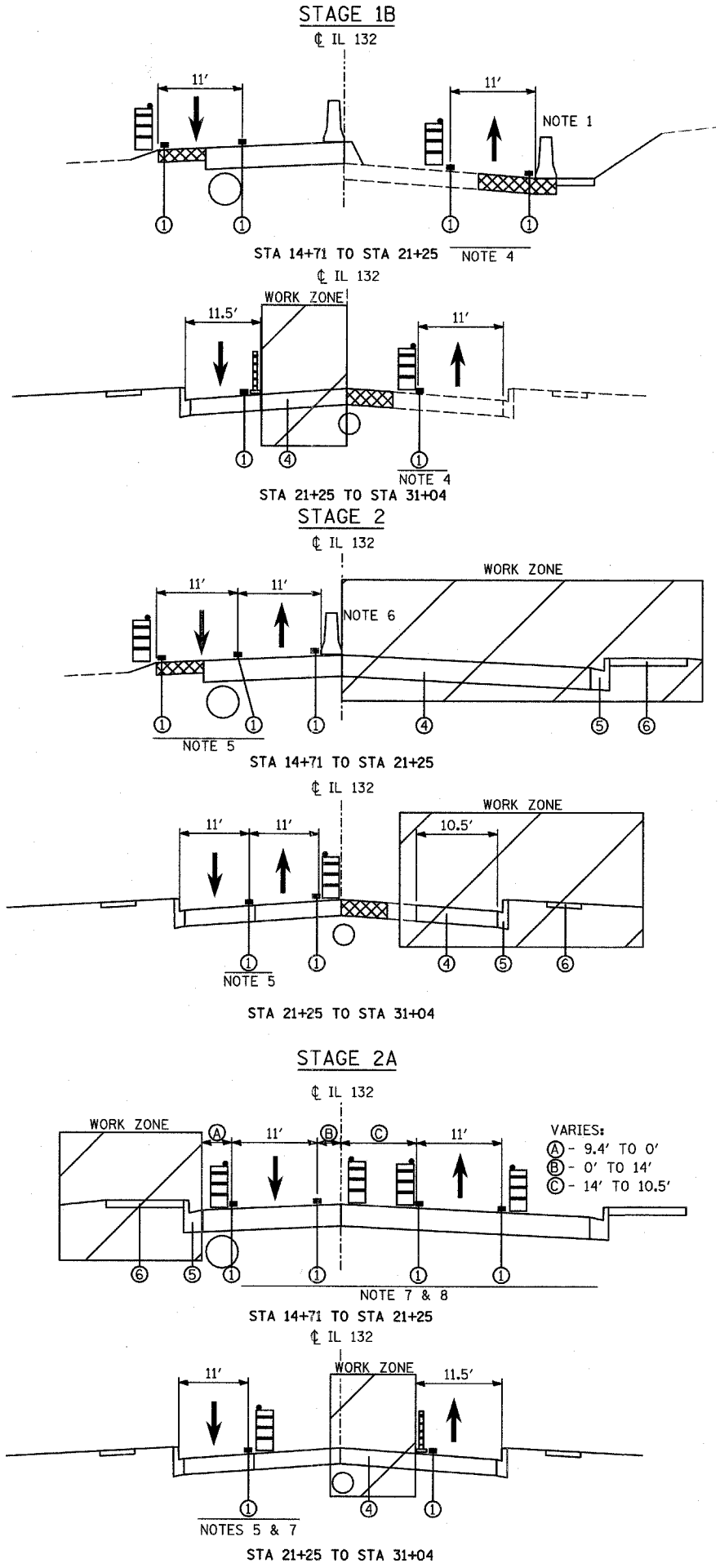
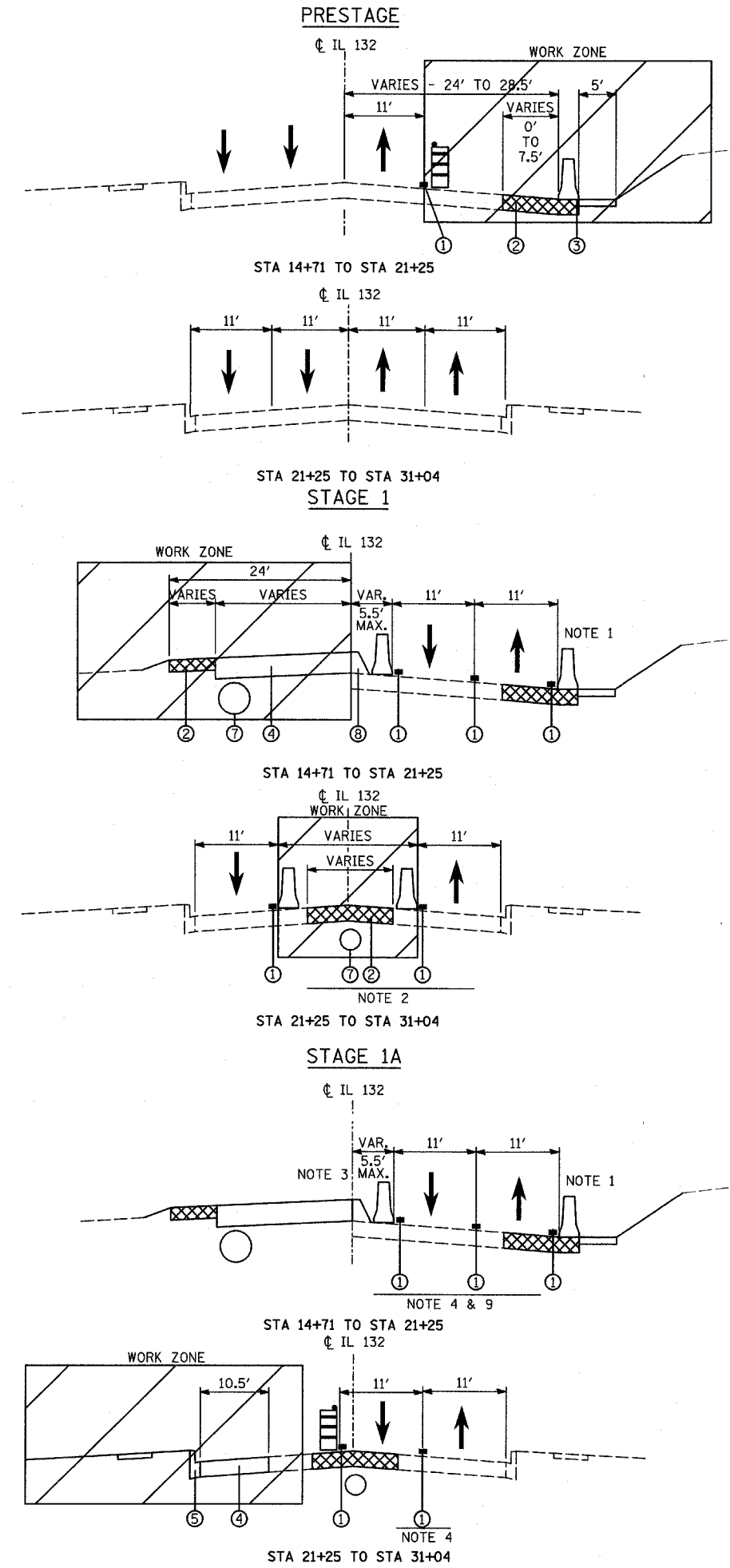
1. TEMPORARY BARRIER WALL INSTALLED DURING PRESTAGE
2. CONSTRUCT PAVEMENT EAST OF RECONSTRUCTION AREA
3. TEMPORARY BARRIER WALL INSTALLED DURING STAGE 1
4. TEMPORARY PAVEMENT MARKINGS INSTALLED DURING STAGE 1
5. TEMPORARY PAVEMENT MARKINGS INSTALLED DURING STAGE 1B
6. TEMPORARY BARRIER WALL INSTALLED DURING STAGE 1B
7. PERMANENT PAVEMENT MARKINGS TO BE INSTALLED AS DIRECTED BY THE ENGINEER
8. SEE MAINTENANCE OF TRAFFIC PLAN SHEETS FOR LANE AND TEMPORARY PAVEMENT LAYOUT
9. PROPOSED PAVEMENT FOR TEMPORARY STABILIZATION INSTALLED DURING STAGE 1



NOTE: WIDTH OF SECTION AND OFFSET TO CL VARY, SEE CROSS SECTIONS FOR DETAILS

TYPICAL SECTION
TEMPORARY PAVEMENT

- PRESTAGE
STA 14+71 EB TO STA 21+25 EB
- STAGE 1
STA 14+71 EB TO STA 21+25 WB
STA 21+25 EB TO STA 31+04 EB
STA 21+25 WB TO STA 31+04 WB



REVISIONS	
NAME	DATE

ILLINOIS DEPARTMENT OF TRANSPORTATION
U.S. 41 (SKOKIE HIGHWAY)
AT IL ROUTE 132
TRAFFIC CONTROL STAGING
TYPICAL SECTIONS
IL ROUTE 132

SCALE: NONE
DATE: MAY 12, 2008
DRAWN BY:
CHECKED BY:

DATE	
BY	
PLAN	
NO.	
DATE	
BY	
PROFILE	
NO.	

DATE	
BY	
PROFILE	
NO.	