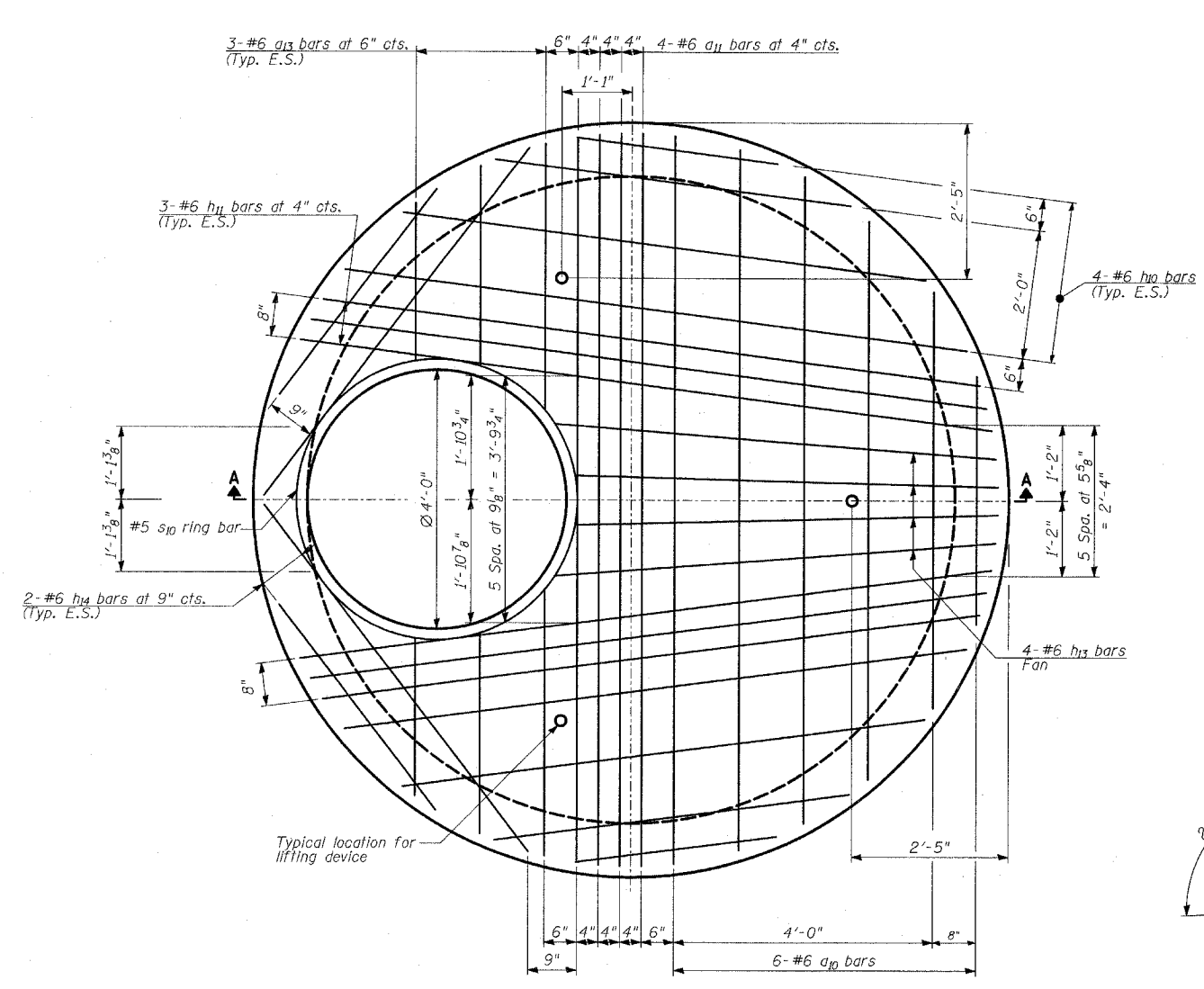
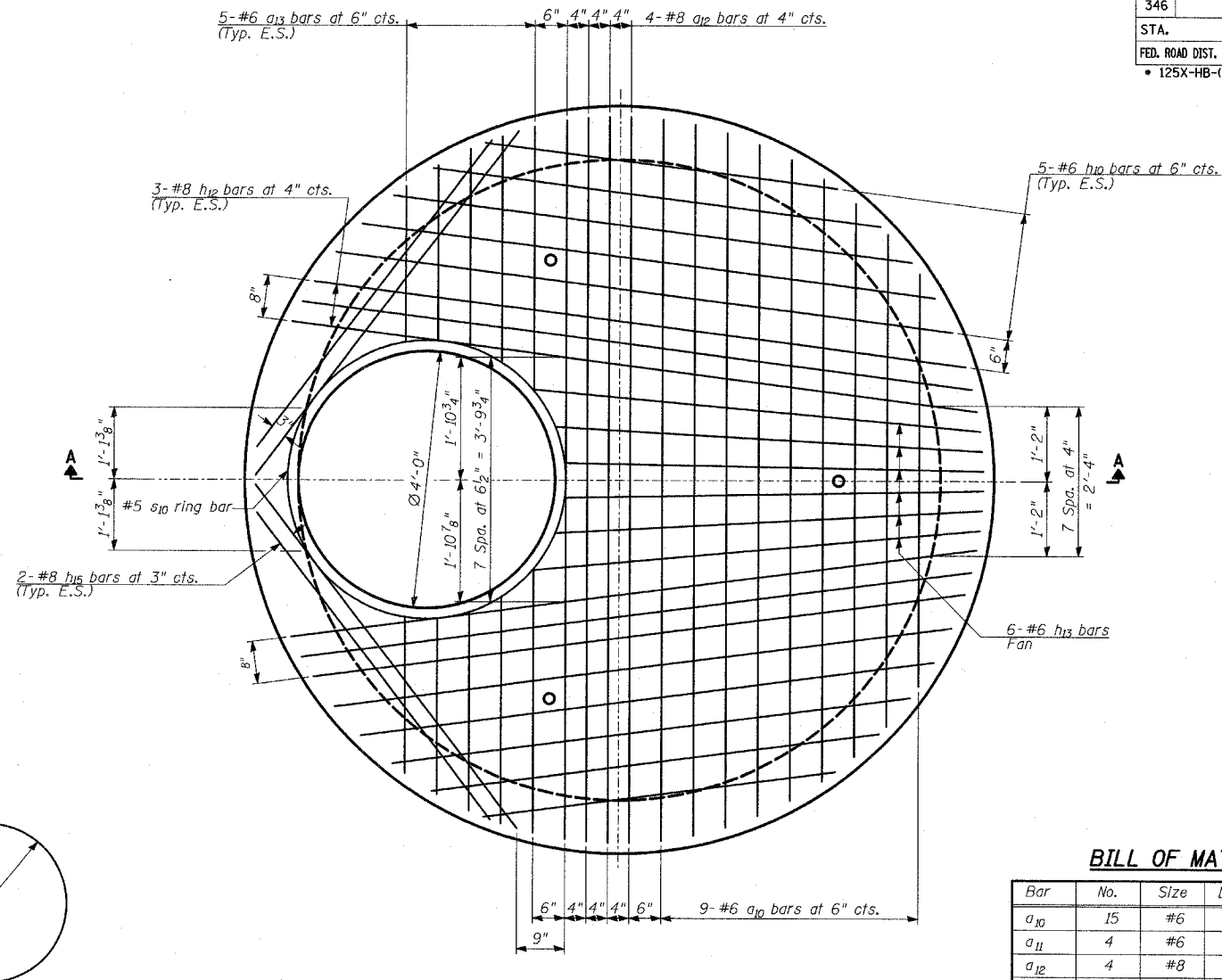


DATE _____ BY _____
 SURVEYED _____
 PLAN _____
 NOTE BOOK _____
 ALIGNED _____
 RT. OF WAY CHECKED _____
 NO. _____
 SADD FILE NAME _____

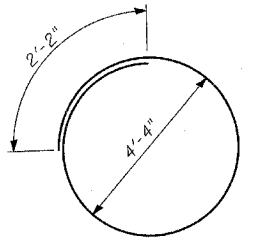
DATE _____ BY _____
 PROFILE _____
 GRADES CHECKED _____
 NOTE BOOK _____
 S.M. NOTED _____
 STRUCTURE NOTATIONS CHKD _____
 NO. _____



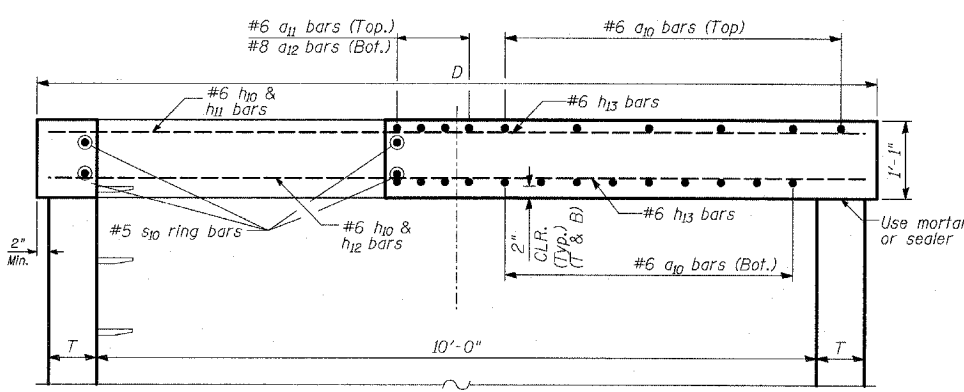
ROOF SLAB - PLAN
(Top Reinforcement Bars)



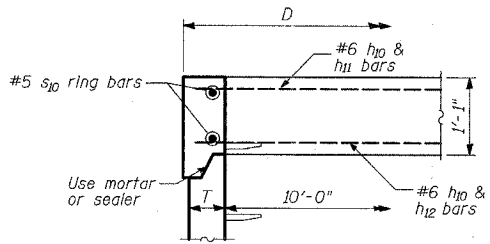
ROOF SLAB - PLAN
(Bottom Reinforcement Bars)



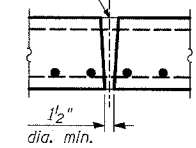
s10 BAR



SECTION A-A



ALTERNATE JOINT CONFIGURATION



LIFTING HOLE TYPICAL
(3 required per slab)

NOTES:

- Bar lengths are based on a wall thickness "T" of 8". Any changes on wall thickness will require modifications to the bar lengths.
- Bars to be cut as needed.
- Precast flat slab top shall conform to articles 505.01 thru 505.05 of Standard Specifications except that the concrete strength shall be 3500 psi after 28 days. Reinforcement bars shall conform to the requirements of article 1006.10. Only Grade 60 reinforcement bars will be permitted.
- Joint Configuration and dimensions of flat slab top shall match and fit the riser joint detail.
- Lifting devices shall be approved by the Engineer.
- Quantities for "Reinforcement Bars" and "Concrete Structures" are shown for constructibility purposes only and shall not be paid for separately.

BILL OF MATERIAL

Bar	No.	Size	Length	Shape
a10	15	#6	11'-3"	—
a11	4	#6	11'-4"	—
a12	4	#8	11'-4"	—
a13	16	#6	4'-2"	—
h10	18	#6	9'-8"	—
h11	6	#6	10'-9"	—
h12	6	#8	10'-9"	—
h13	10	#6	7'-0"	—
h14	4	#6	6'-9"	—
h15	4	#8	6'-9"	—
s10	2	#5	15'-9"	○
Reinforcement Bars			POUND	1,330
Concrete Structure			CU. YARD	3.89



Signed Spiros Pantazis, S.E., Il. Lic. No. 081-006448 For drawings 1 thru 15 of 15
 Expires 11-30-2008.
 Date _____

REVISIONS	
NAME	DATE

ILLINOIS DEPARTMENT OF TRANSPORTATION
 U.S. 41 (SKOKIE HIGHWAY)
 AT IL ROUTE 132

PRECAST REINFORCED CONCRETE
 FLAT SLAB TOP - 10' DIAMETER

SCALE: NONE
 DATE: MAY 12, 2008
 DRAWN BY: SNB
 DESIGNED BY: TD
 CHECKED BY: MI