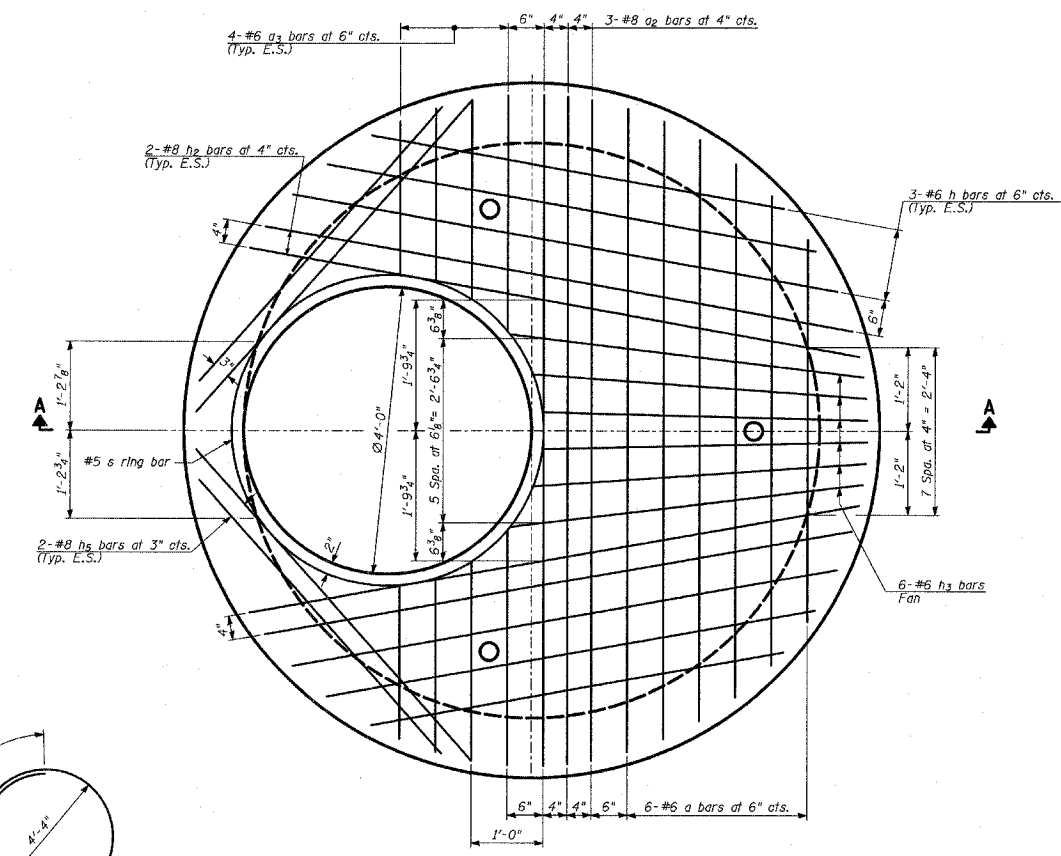
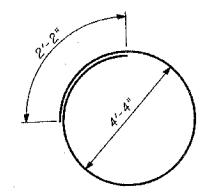


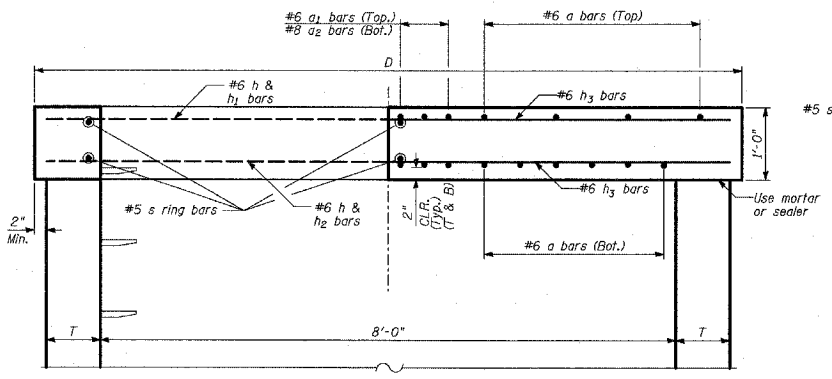
**ROOF SLAB - PLAN**  
(Top Reinforcement Bars)



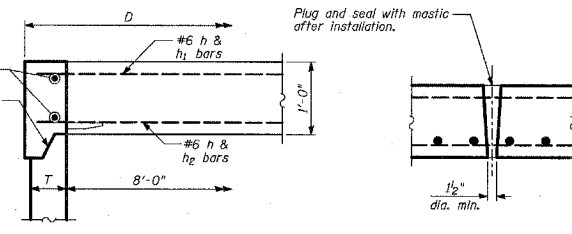
**ROOF SLAB - PLAN**  
(Bottom Reinforcement Bars)



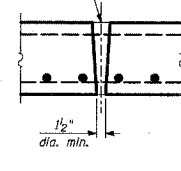
**BAR s**



**SECTION A-A**



**ALTERNATE JOINT CONFIGURATION**



**LIFTING HOLE TYPICAL**  
(3 required per slab)

**NOTES:**

- Bar lengths are based on a wall thickness "T" of 8". Any changes on wall thickness will require modifications to the bar lengths.
- Bars to be cut as needed.
- Precast flat slab top shall conform to articles 505.01 thru 505.05 of Standard Specifications except that the concrete strength shall be 3500 psi after 28 days. Reinforcement bars shall conform to the requirements of article 1005.10. Only Grade 60 reinforcement bars will be permitted.
- Joint Configuration and dimensions of flat slab top shall match and fit the riser joint detail.
- Lifting devices shall be approved by the Engineer.

**BILL OF MATERIAL**

Bar	No.	Size	Length	Shape
a	10	#6	8'-11"	—
a1	3	#6	9'-4"	—
a2	3	#8	9'-4"	—
a3	14	#6	3'-3"	—
h	12	#6	7'-8"	—
h1	4	#6	8'-7"	—
h2	4	#8	8'-7"	—
h3	10	#6	4'-11"	—
h4	4	#6	5'-10"	—
h5	4	#8	5'-10"	—
s	2	#5	15'-9"	○
Reinforcement Bars		POUND	810	
Concrete Structure		CU. YARD	2.25	

PLAN	DATE
BY	
DATE	
BY	
DATE	
BY	
DATE	
BY	
DATE	

PROFILE	DATE
BY	
DATE	
BY	
DATE	
BY	
DATE	
BY	
DATE	



Signed Spiros Pantazis, S.E., Il. Lic. No. 081-006448 For drawings  
Expires 11-30-2008. I thru 15 of 15  
Date \_\_\_\_\_

REVISIONS	
NAME	DATE

ILLINOIS DEPARTMENT OF TRANSPORTATION  
U.S. 41 (SKOKIE HIGHWAY)  
AT IL ROUTE 132

PRECAST REINFORCED CONCRETE  
FLAT SLAB TOP - 8' DIAMETER

SCALE: NONE  
DATE: MAY 12, 2008  
DRAWN BY: SNB  
DESIGNED BY: TD  
CHECKED BY: MI