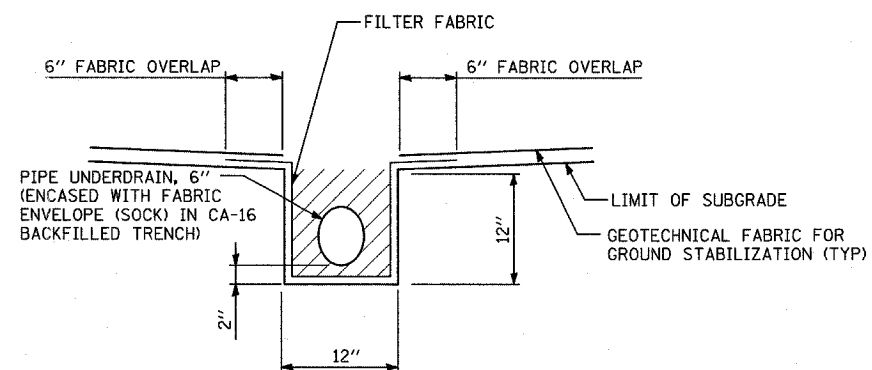


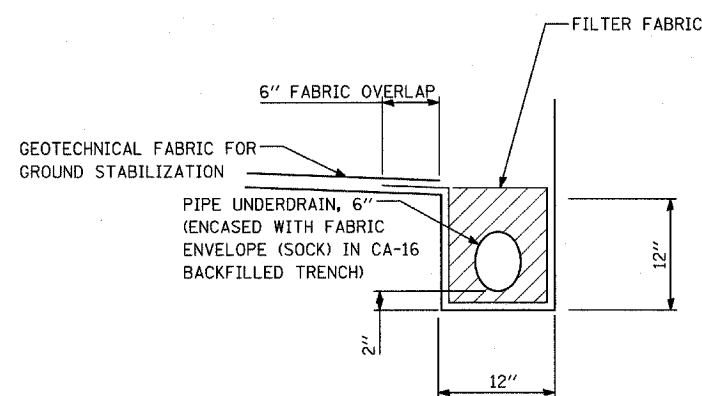
PIPE UNDERDRAIN 6'', AT ROADWAY SAGS



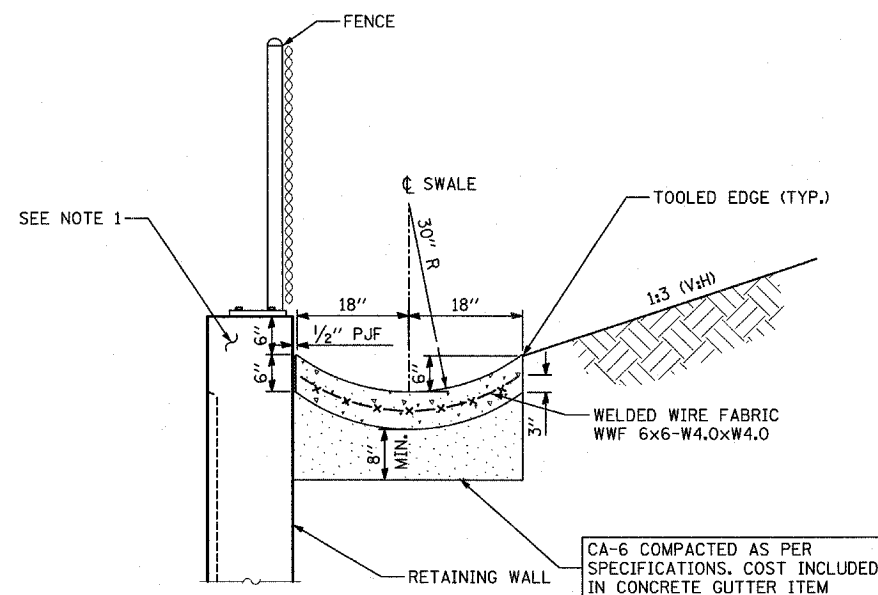
PIPE UNDERDRAIN DETAIL AT ROADWAY SAGS

**NOTES:**

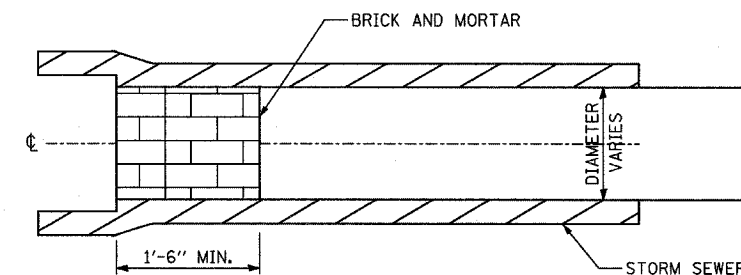
- (1) GEOTECHNICAL FABRIC FOR GROUND STABILIZATION SHALL BE PLACED SUCH THAT IT EXTENDS TO THE EDGE OF THE TRENCH AND OVERLAPS THE FILTER FABRIC BY A MINIMUM OF 6". AT NO TIME SHALL THE GEOTECHNICAL FABRIC FOR GROUND STABILIZATION BE OVER OR COVER THE UNDERDRAIN TRENCH.
- (2) NO CONSTRUCTION TRAFFIC SHALL BE ALLOWED ON THE TRENCH UNTIL A MINIMUM OF 12" OF COMPACTED SUB-BASE IS PROVIDED.
- (3) THE PIPE UNDERDRAIN TRENCH SHALL BE LINED WITH FILTER FABRIC ON THE BOTTOM AND SIDES OF THE TRENCH. THE TOP OF THE TRENCH MUST NOT BE COVERED WITH ANY FABRIC.
- (4) FILTER FABRIC, FABRIC ENVELOPE, AND CA-16 AGGREGATE ARE INCLUDED IN THE UNIT COST OF PIPE UNDERDRAIN, 6".
- (5) CONTRACTOR SHALL FLUSH PIPE UNDERDRAIN WITH WATER TO INSURE UNDERDRAIN IS FUNCTIONING PROPERLY PRIOR TO THE PLACEMENT OF STABILIZED SUB-BASE. PRIOR TO COMMENCING THIS WORK, THE CONTRACTOR SHALL PROVIDE THE ENGINEER WITH HIS APPROACH AND METHODS FOR COMPLETING THIS WORK, FOR THE ENGINEER'S REVIEW AND APPROVAL. THE COST OF FLUSHING THE PIPE IS INCLUDED IN THE UNIT COST OF PIPE UNDERDRAIN, 6".



PIPE UNDERDRAIN DETAIL AT EDGE OF PAVEMENT



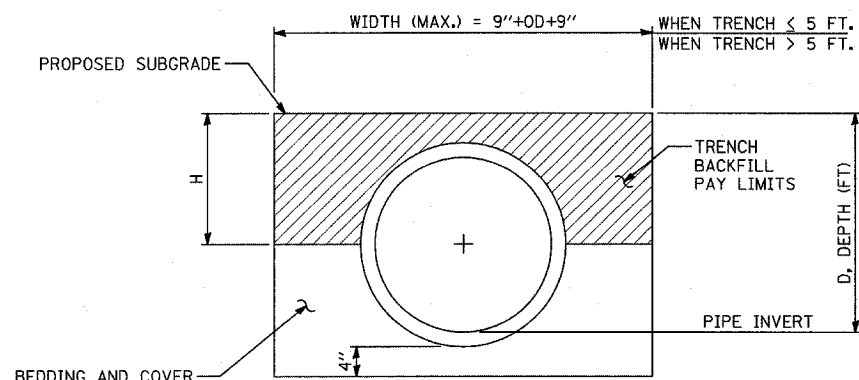
CONCRETE GUTTER



STORM SEWER PLUG

**NOTES:**

1. THIS WORK CONSISTS OF FURNISHING BRICKS AND MORTAR AS SHOWN AND AS DIRECTED BY THE ENGINEER AT LOCATIONS SHOWN IN THE PLANS TO PLUG THE EXISTING AND/OR PROPOSED STORM SEWER LATERAL STUBS. THIS PLUG WILL BE REMOVED BY OTHERS FOR FUTURE EXTENSION OF THE STORM SEWER.
2. THIS WORK SHALL NOT BE PAID FOR SEPARATELY, PER ARTICLE 550.05.



TRENCH BACKFILL DETAIL

**NOTES:**

1. A MINIMUM 6" DEPTH SHALL BE MAINTAINED WHEN CONCRETE GUTTER IS PROPOSED ALONG A BARRIER WALL.
2. LIMITS ARE SHOWN ON STRUCTURAL WALLS "J" AND "Q" DETAILS SHEET 1 OF 2.

REVISIONS	
NAME	DATE
PAW	6/17/08

ILLINOIS DEPARTMENT OF TRANSPORTATION  
U.S. 41 (SKOKIE HIGHWAY)  
AT IL ROUTE 132

DRAINAGE DETAILS

SCALE: NONE

DRAWN BY: BK

DATE: MAY 12, 2008

CHECKED BY: DA