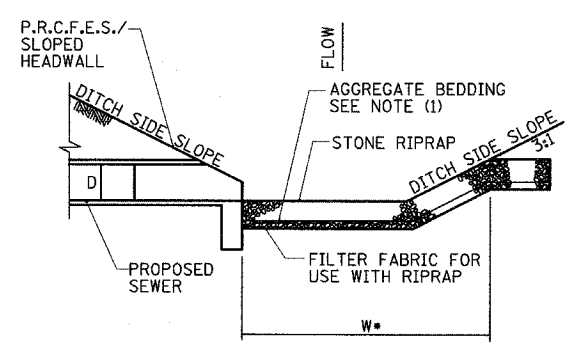
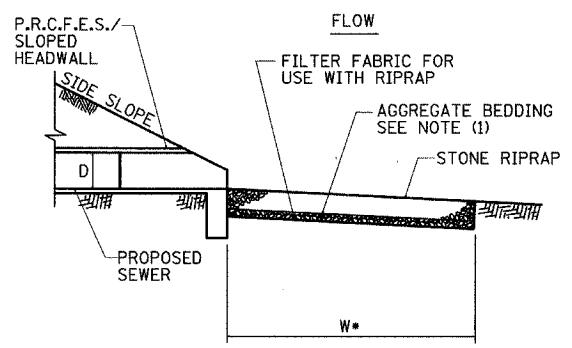


PIPE DIAM. (IN)	*RIPRAP DIMENSION (FT)	STONE RIPRAP CLASS	AREA (SY)
72" x 48"	33' x 38'-5"	4	142
30"	10' x 14'-2"	4	16

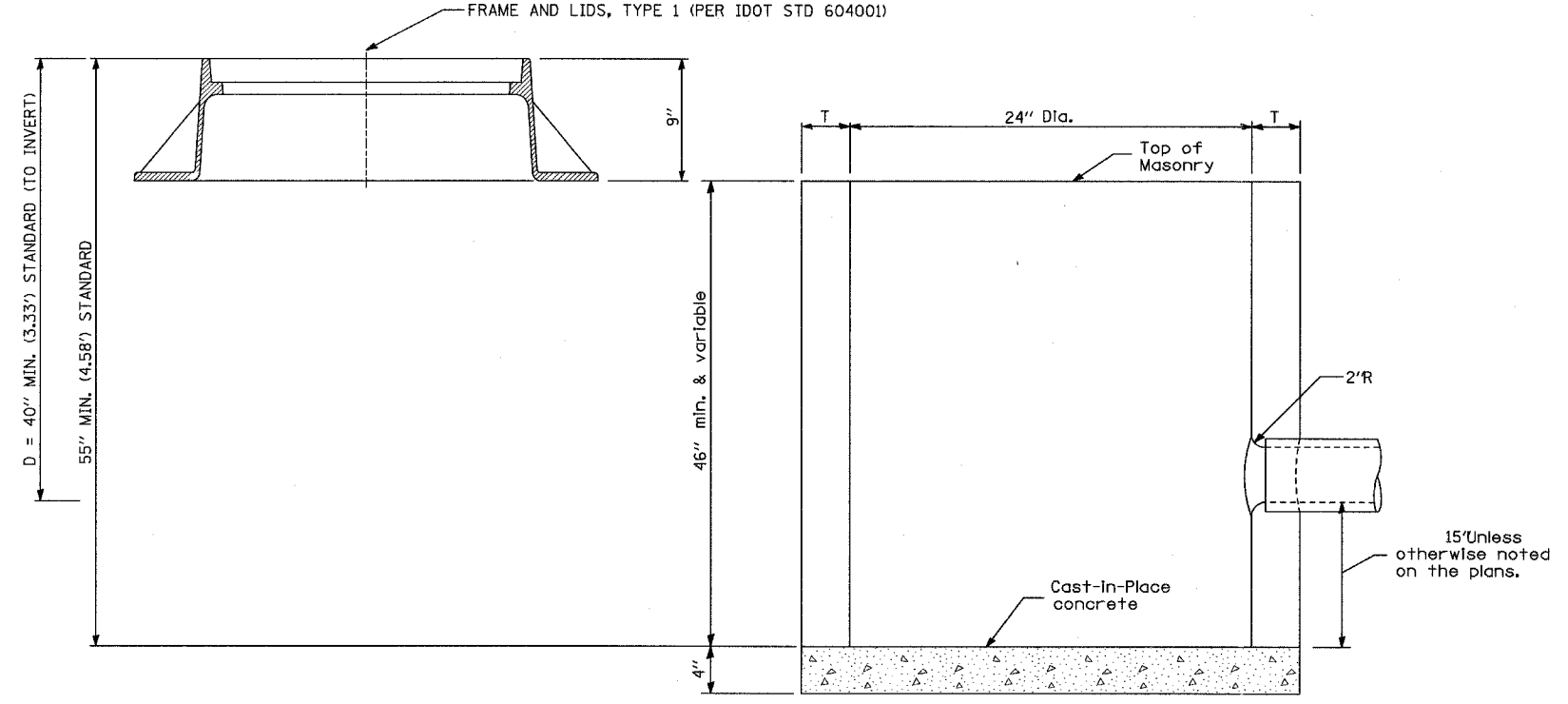


RIPRAP DETAILS

- NOTES:**
- THE COST OF AGGREGATE BEDDING SHALL BE INCLUDED IN THE COST OF RIPRAP PER SQUARE YARD.

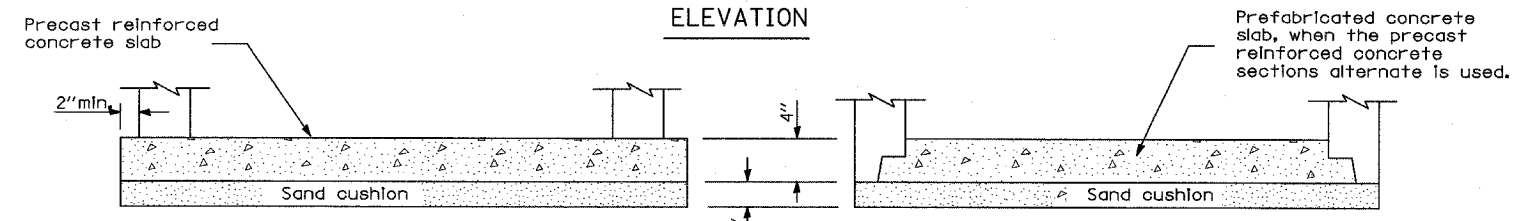
- LEGEND:**
- P.R.C.F.E.S.=PRECAST REINFORCED CONCRETE FLARED END SECTION
D=SEWER DIAMETER

CATCH BASIN TYPE C (SPECIAL)



ALTERNATE MATERIALS FOR WALLS	T (min)
Precast Reinforced Concrete Section	3"
Concrete Masonry Unit	5"
Cast-In-Place Concrete	6"
Brick Masonry	8"

TYPE	STRUCTURE NUMBER	RIM ELEVATION	INVERT ELEVATION	'D'
C-SPECIAL	714	677.11	674.76	2.35' (<3.33' STD.)



ALTERNATE BOTTOM SLAB

REVISIONS	
NAME	DATE
AZ	6/17/08

ILLINOIS DEPARTMENT OF TRANSPORTATION
U.S. 41 (SKOKIE HIGHWAY)
AT IL ROUTE 132
DRAINAGE DETAILS

SCALE: NONE
DATE: MAY 12, 2008
DRAWN BY: AZ
CHECKED BY: DA

DATE: _____
BY: _____
REVISIONS:
NO. DESCRIPTION
1. _____
2. _____
3. _____
4. _____
5. _____

DATE: _____
BY: _____
REVISIONS:
NO. DESCRIPTION
1. _____
2. _____
3. _____
4. _____
5. _____